

ID+ 4.5" x 4.5" Adjustable

Square Overlap — FLCS44 | LCS44



FOCAL POINT®



BEFORE YOU BEGIN

- Luminaires must be installed by a qualified electrician (check with local and national codes for proper installation).
- To prevent electrical shock, disconnect electrical supply before installation or servicing.
- Contractor is responsible for adequately reinforcing walls and/or ceilings to support fixture weight.
- Focal Point, LLC accepts no responsibility for inadequately reinforced walls and/or ceilings.
- The information contained in this drawing is the sole property of Focal Point, LLC. Any reproduction in part or whole without the written permission of Focal Point, LLC is prohibited.

INSTRUCTION KEY



ATTENTION



SEE ADDITIONAL INSTRUCTIONS



POWER OFF



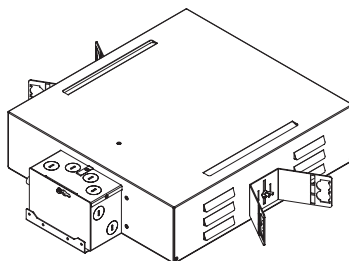
POWER ON



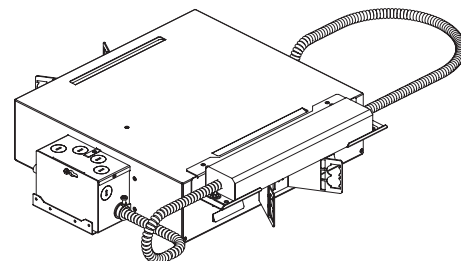
LEVEL

COMPONENT KEY

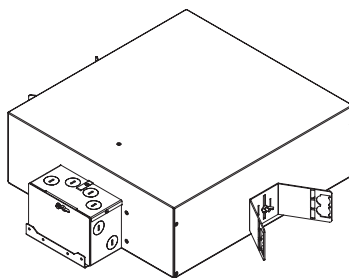
FOCAL POINT



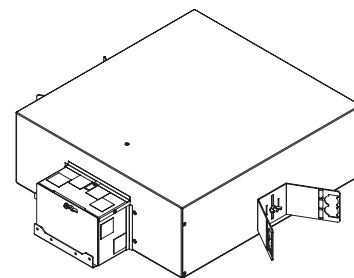
T-Housing



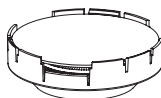
Emergency - Remote Test Switch



IC Rated Housing

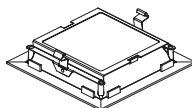


Chicago Plenum Housing

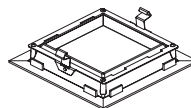


Beamspread optic,
shipped installed
(replacement kits available)

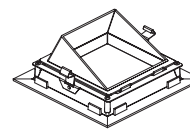
TRIM



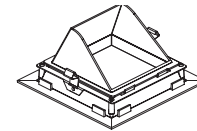
Solite Lens



Spot Optic,
no lens
0°-15° tilt

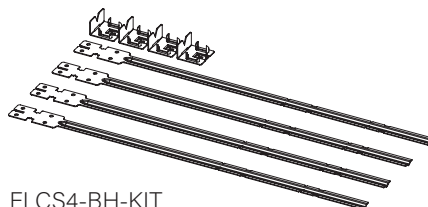


Spot Optic,
no lens
15°-30° tilt



Spot Optic,
no lens
25°-40° tilt

OPTIONAL BAR HANGERS - SOLD SEPARATELY



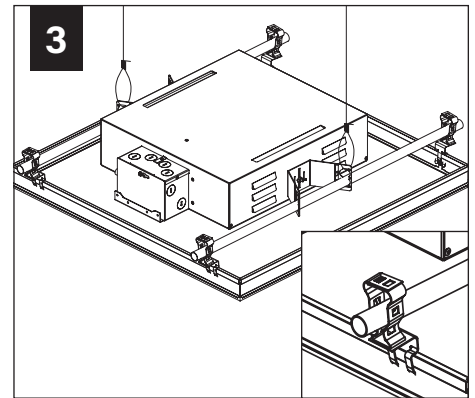
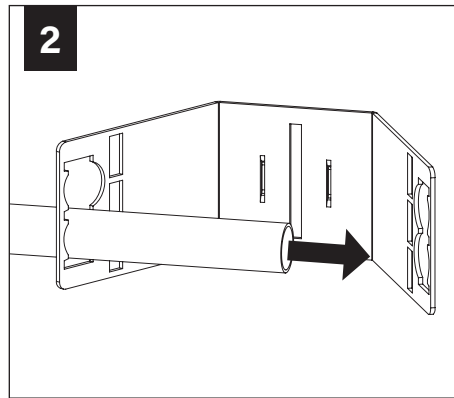
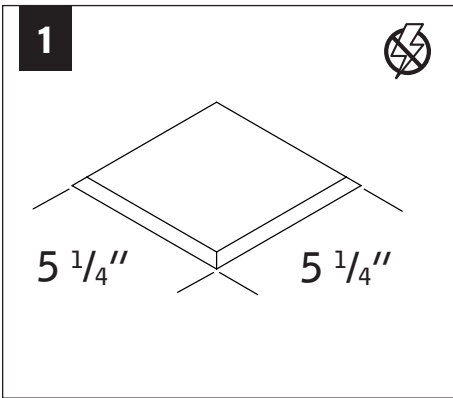
FLCS4-BH-KIT



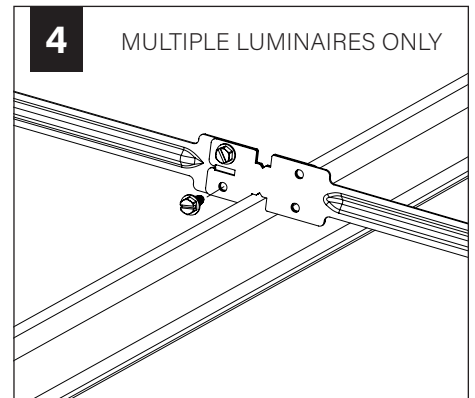
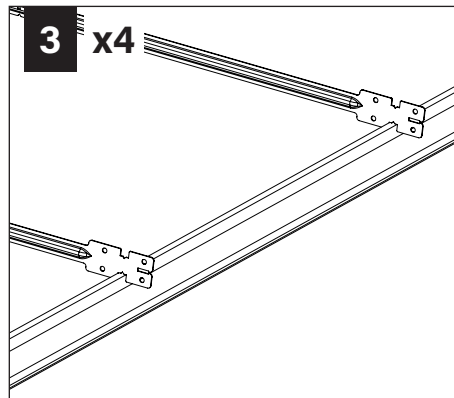
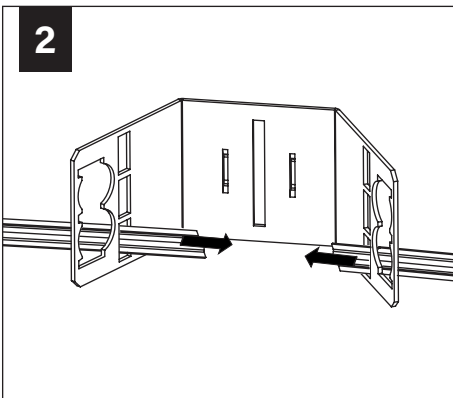
**LUMINAIRE MUST BE INSTALLED PRIOR TO DRYWALL CEILING.
ALL GRID LUMINAIRE MUST BE SECURED TO STRUCTURE ABOVE.**



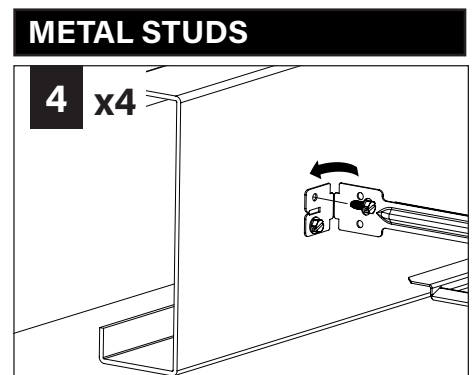
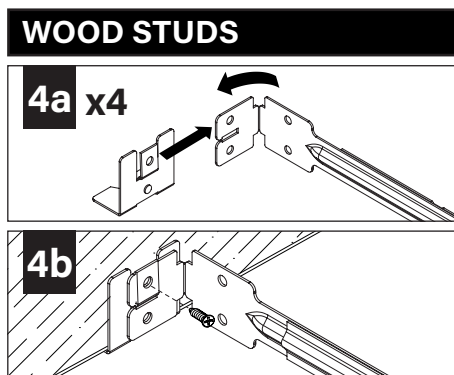
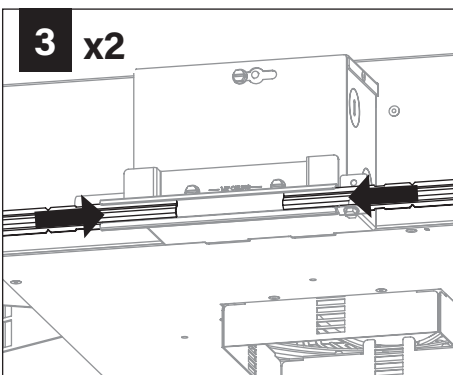
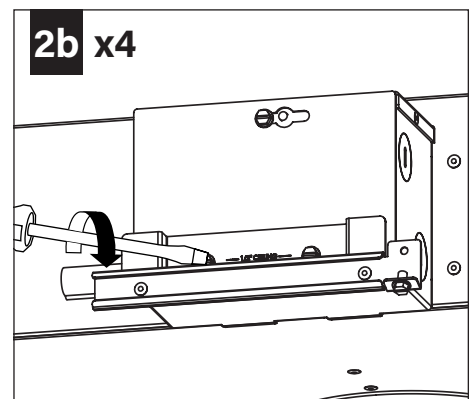
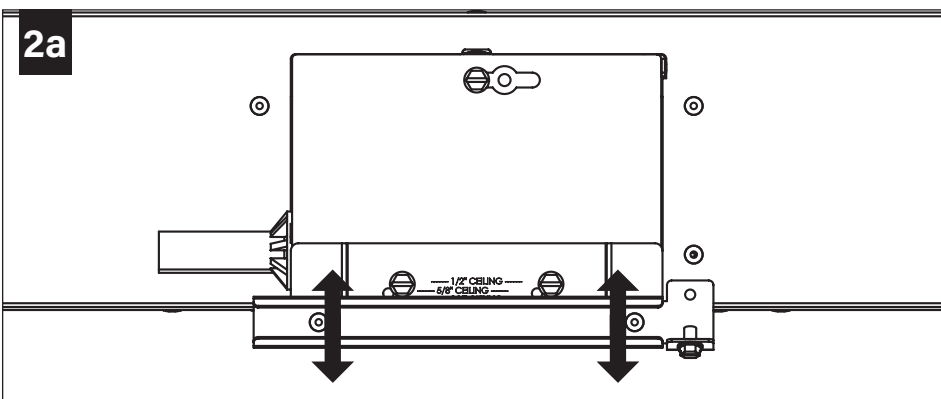
GRID - 1/2" CONDUIT & CLIP (BY OTHERS)

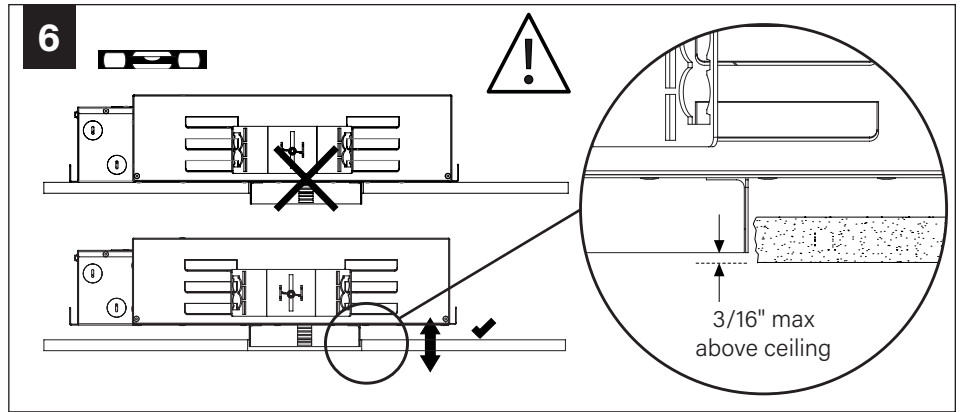
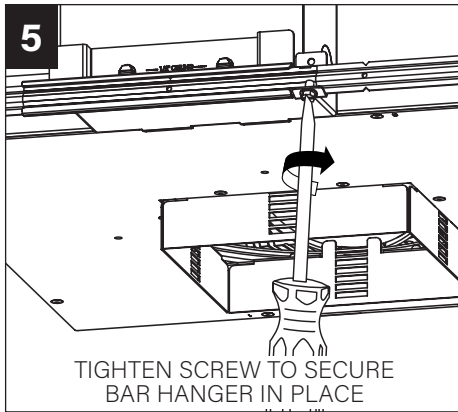


GRID - BAR HANGERS (SOLD SEPARATELY)

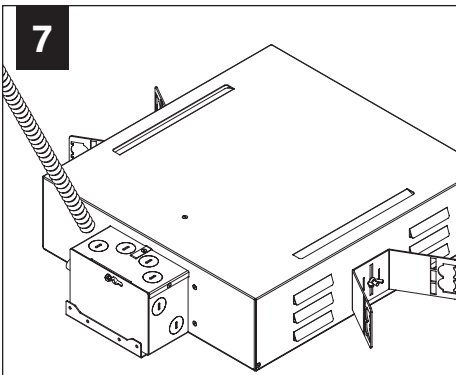


DRYWALL - BAR HANGERS (SOLD SEPARATELY)





EMERGENCY - REMOTE TEST SWITCH
▲ ABOVE CEILING ACCESS REQUIRED ▲

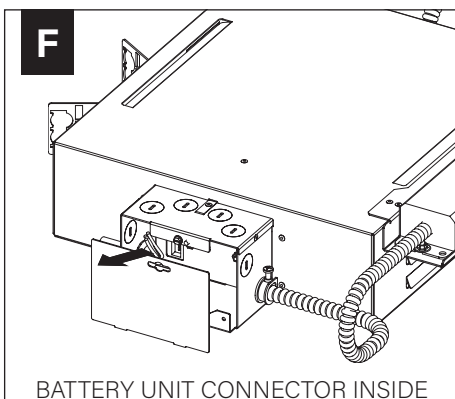
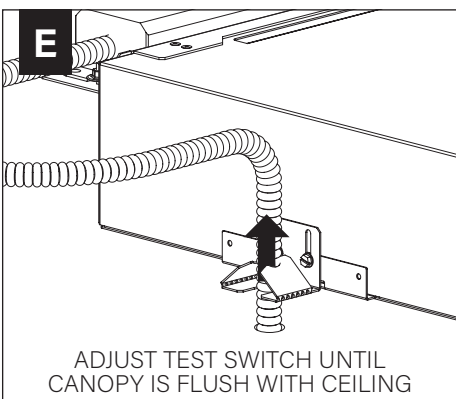
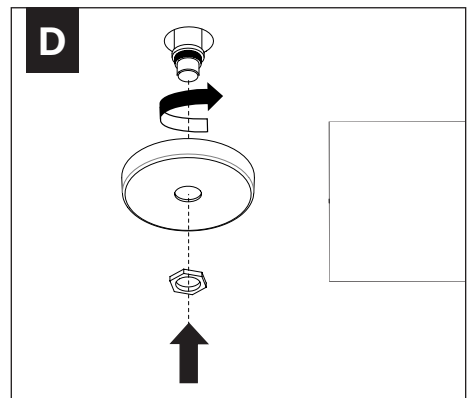
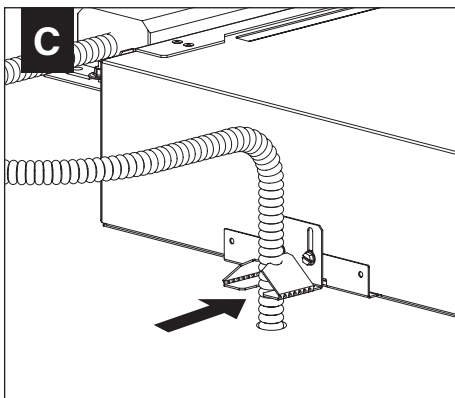
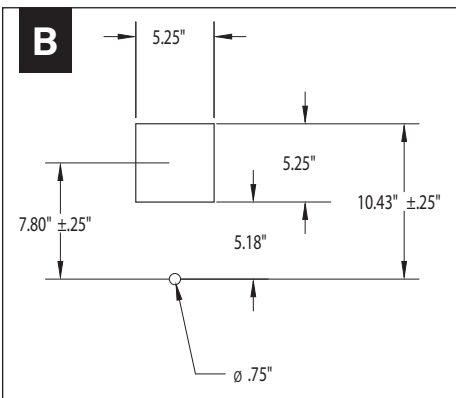
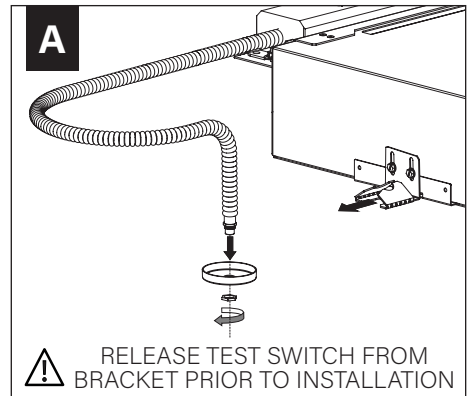


MAKE ELECTRICAL CONNECTION

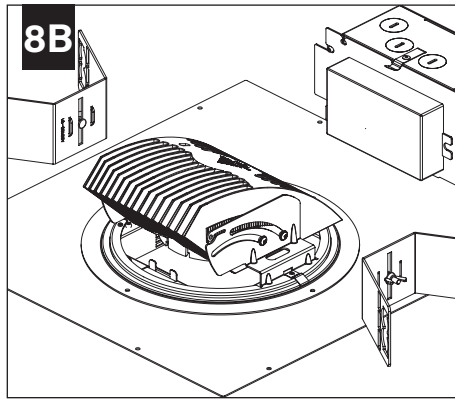
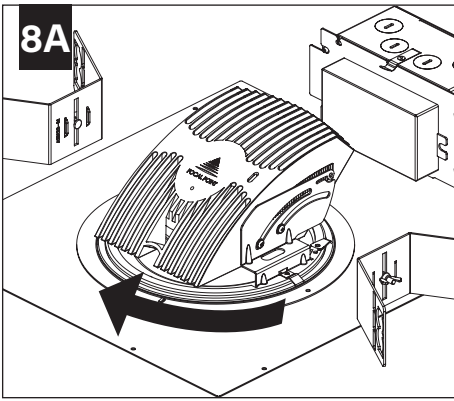
I

SEE
BATTERY MANUFACTURER
 INSTRUCTIONS

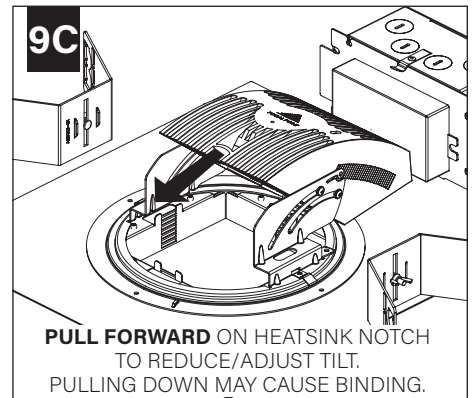
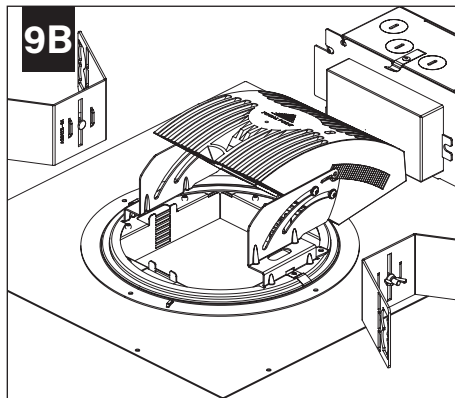
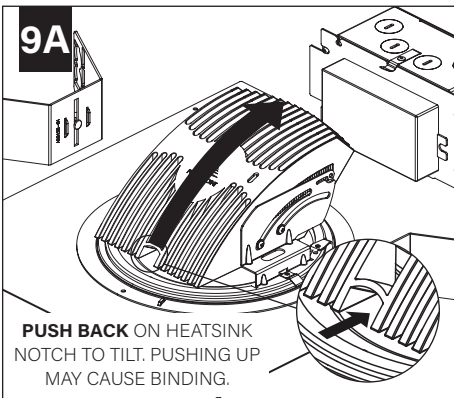
Emergency maximum
 mounting height: 19'



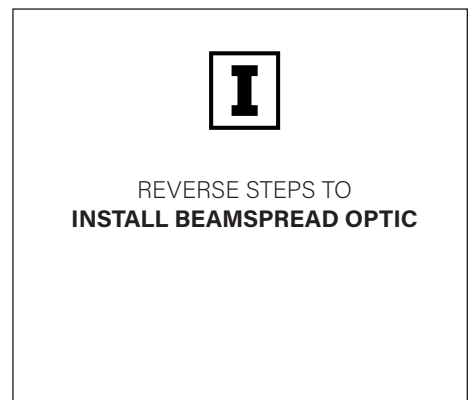
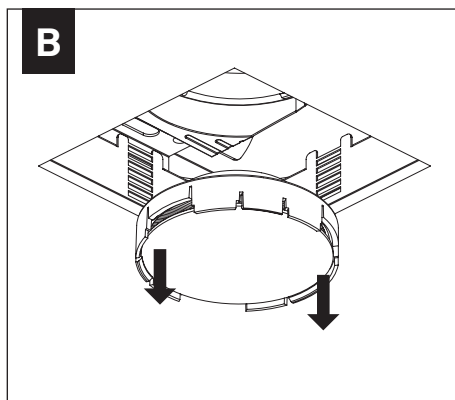
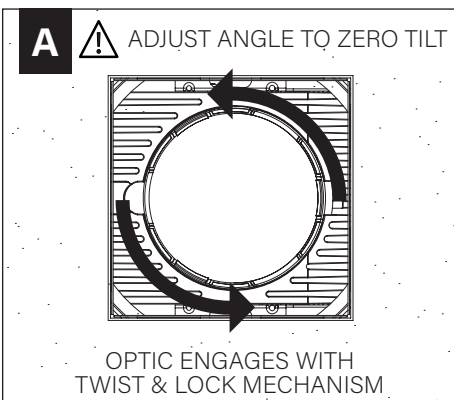
ROTATE (MAXIMUM ROTATION: 364°)



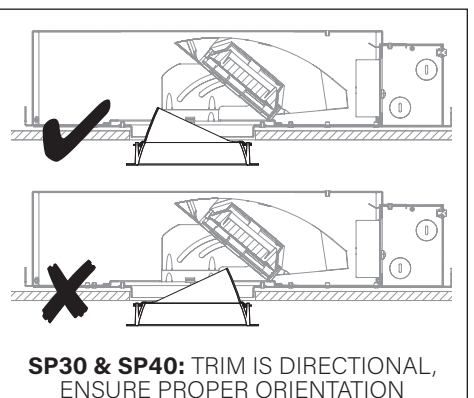
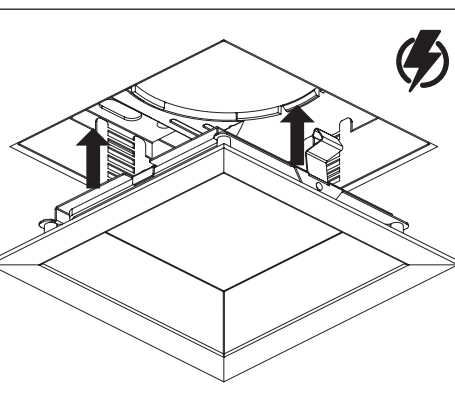
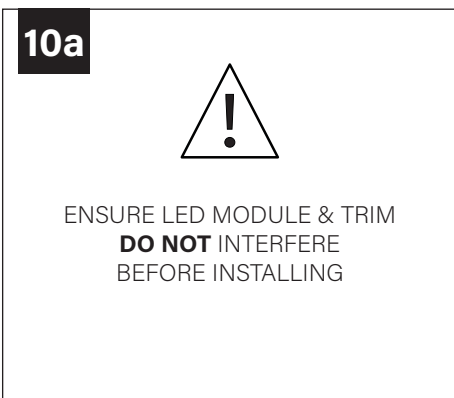
TILT (MAXIMUM TILT: 40°)



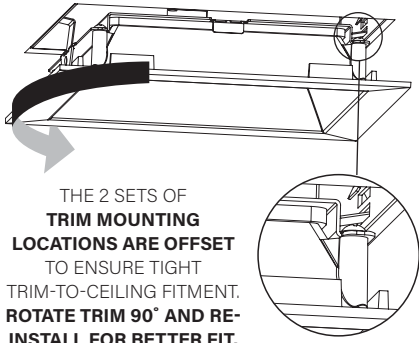
OPTIC SERVICE



TRIM INSTALLATION

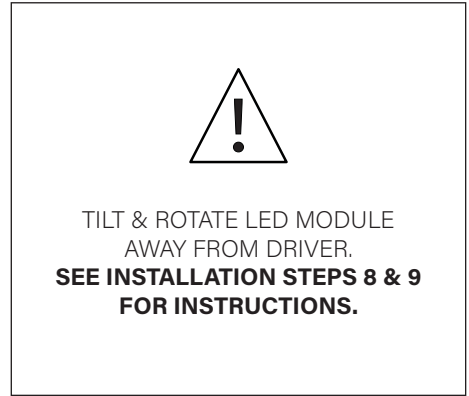
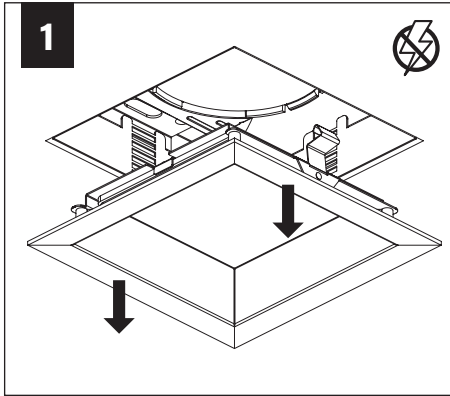


10b OPTIONAL

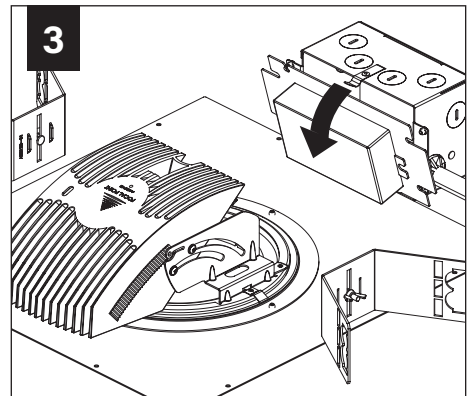
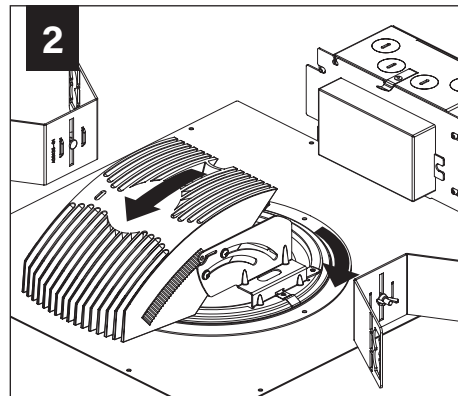


THE 2 SETS OF TRIM MOUNTING LOCATIONS ARE OFFSET TO ENSURE TIGHT TRIM-TO-CEILING FITMENT. ROTATE TRIM 90° AND RE-INSTALL FOR BETTER FIT.

DRIVER SERVICE



TILT & ROTATE LED MODULE AWAY FROM DRIVER. SEE INSTALLATION STEPS 8 & 9 FOR INSTRUCTIONS.



SPOT OPTIC TILT KIT (SOLD SEPARATELY)



SP30 & SP40 SHIP WITH SHROUDS INSTALLED.

SPOT OPTICS KITS ARE AVAILABLE AS REPLACEMENTS OR IF TILT ANGLE CHANGES FROM WHAT WAS SPECIFIED.

Distribtuion: Spot (SP)

Optic	Description	Tilt Range
SL*	Solite Lens	0° - 40°
SP00*	Spot Optic, No Lens	0° - 15°
SP30	Spot Optic, No Lens	15° - 30°
SP40	Spot Optic, No Lens	25° - 40°

*Shroud not required

