

# id+ 3.5" square trimless adjustable

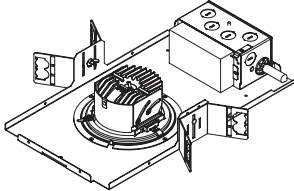
FLCS33



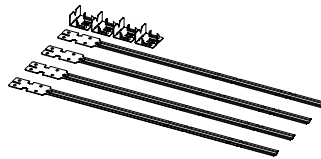
FOCAL POINT®

**LUMINAIRE MUST BE INSTALLED PRIOR TO DRYWALL CEILING. ALL GRID LUMINAIRES MUST BE SECURED TO STRUCTURE ABOVE.**

NON-EMERGENCY - THERMALLY PROTECTED, NON-IC



OPTIONAL - BAR HANGERS SOLD SEPARATELY



KEY



POWER OFF



POWER ON



ATTENTION

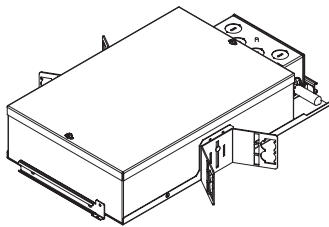


LEVEL

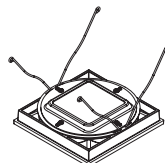


SEE ADDITIONAL INSTRUCTIONS

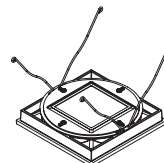
IC/CP



TRIM

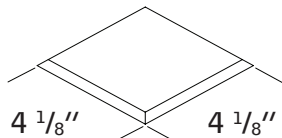


TRIMLESS WITH SOLITE LENS



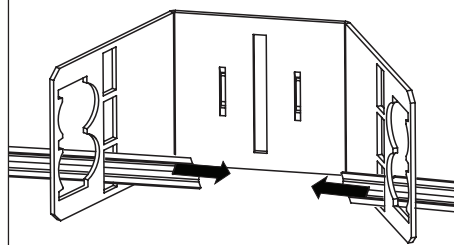
TRIMLESS WITHOUT SOLITE LENS

1

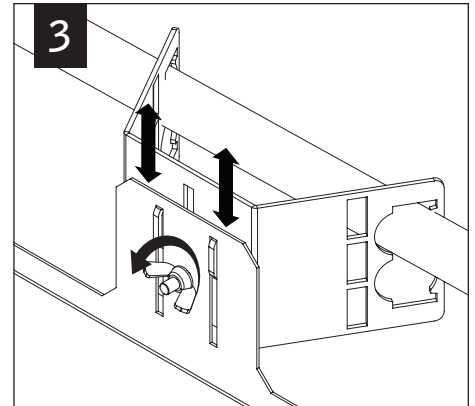


ceiling cutout

2 x2

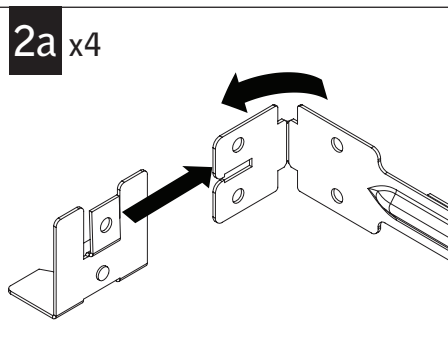


3

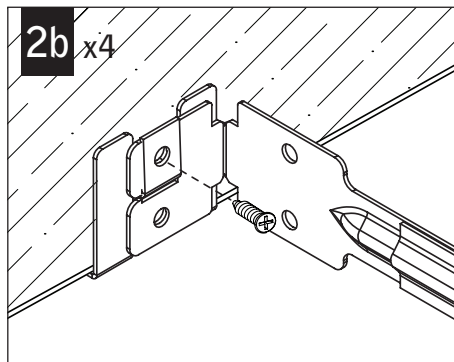


WOOD STUDS

2a x4

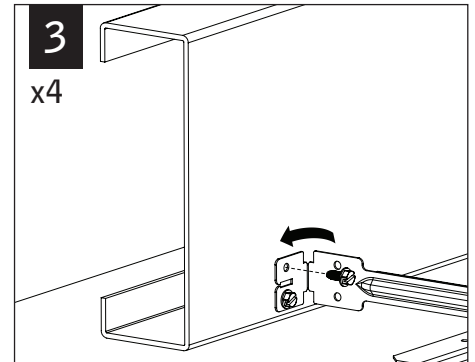


2b x4




METAL STUDS

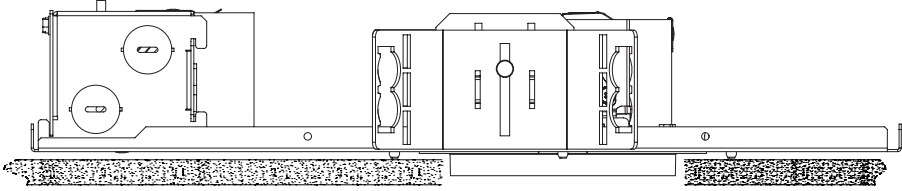
3 x4

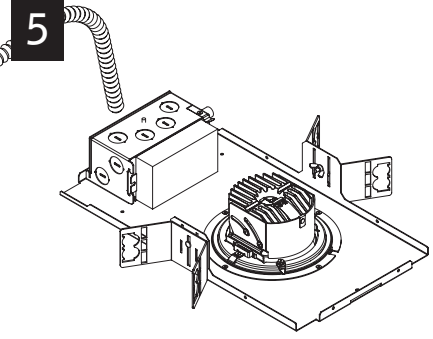


Luminaires must be installed by a qualified electrician (check with local and national codes for proper installation). To prevent electrical shock, disconnect electrical supply before installation or servicing.

**4** 

minimum ceiling thickness: 1/2"  
maximum ceiling thickness: 1"

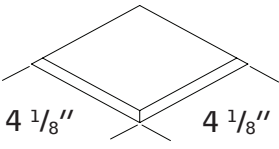


**5** 


**MAKE ELECTRICAL CONNECTIONS**

**MUD-IN**

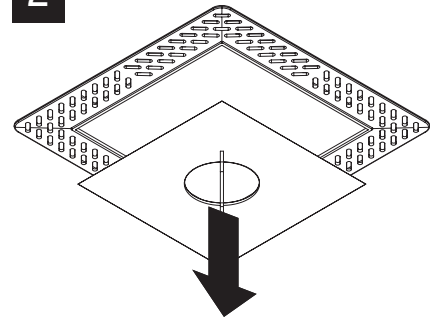
**1**



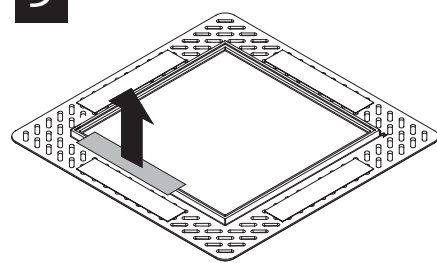
4 1/8" 4 1/8"

 CLEAN CEILING SURFACE  
FREE OF DUST AND DEBRIS

**2**

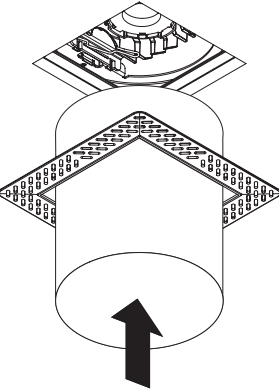


**3**

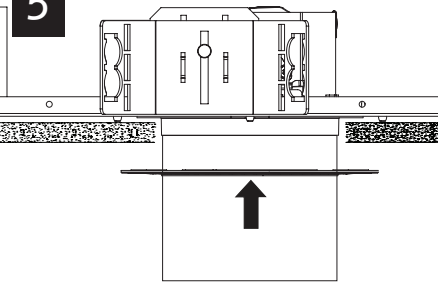


REMOVE ADHESIVE BACKING  
FROM MUD RING

**4**

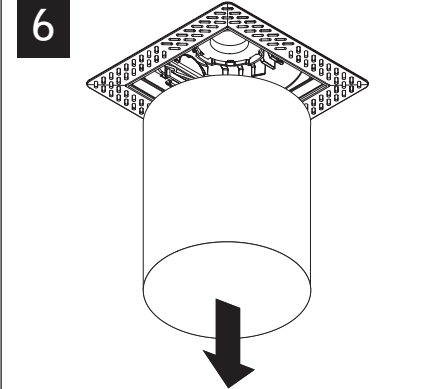


**5**



USE FOAM CYLINDER TO ALIGN MUD  
RING WITH HOUSING COLLAR OPENING

**6**

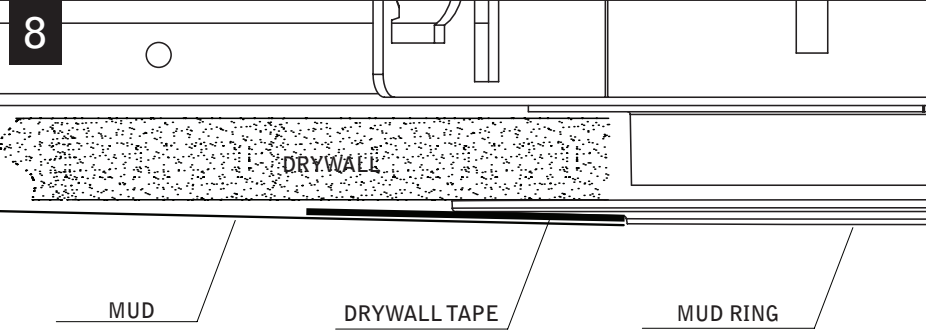


**7** 



DO NOT REMOVE DUST  
COVER UNTIL TAPE AND  
MUD-IN COMPLETE

**8**

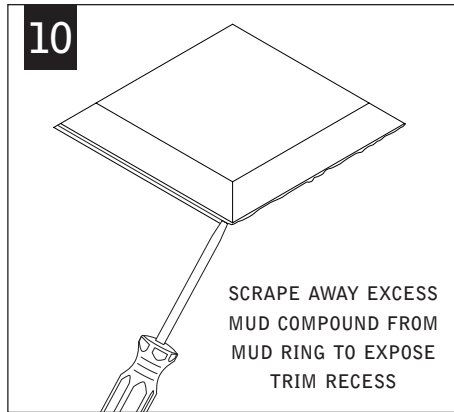
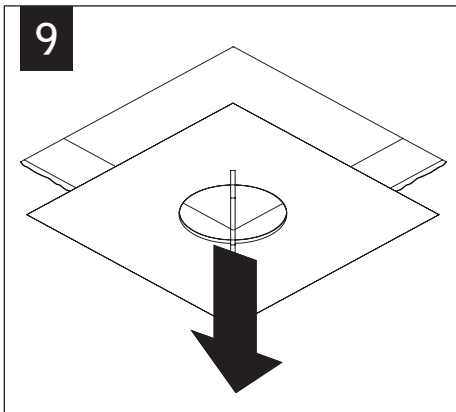


DRYWALL

MUD DRYWALL TAPE (BY OTHERS) MUD RING

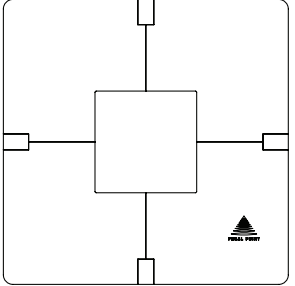
APPLY TAPE AND DRYWALL COMPOUND AT LEAST 8-12" OUT FROM APERTURE

Fixtures must be installed by a qualified electrician (check with local and national codes for proper installation).  
To prevent electrical shock, disconnect electrical supply before installation or servicing.




## WOOD CEILING

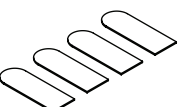
**WOOD CEILING INSTALLATION KIT PARTS LIST**



**WOOD ROUTING JIG**

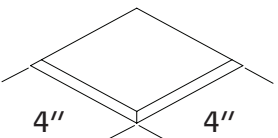


5/16" MINIATURE  
RABBETING BIT WITH  
1/16" CUT DEPTH




3M COMMAND POSTER STRIP  
#136 (QTY. 40)

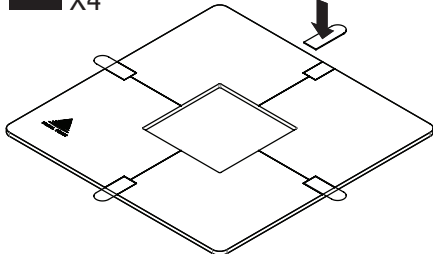
**1**



4"      4"

 **CLEAN WOOD CEILING SURFACE AND WOOD ROUTING JIG FREE OF DUST AND DEBRIS**

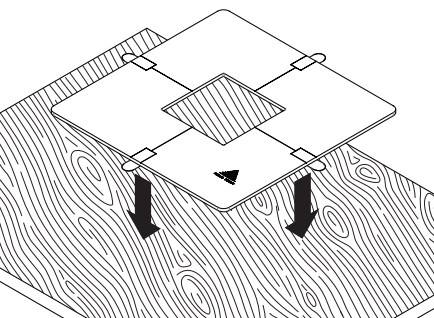
**2** X4



**ADHERE COMMAND POSTER STRIPS TO WOOD ROUTING JIG**

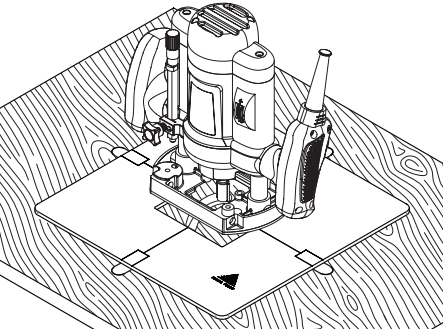
**3**

**ADHERE WOOD ROUTING JIG TO WOOD CEILING SURFACE**



**4**

**CREATE STARTER HOLE**



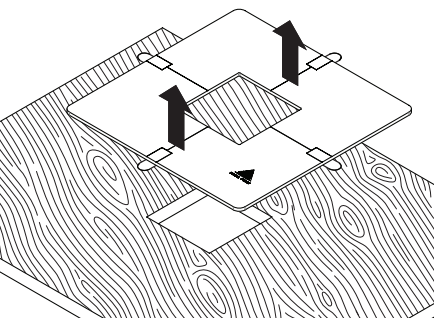
**5**

**CREATE MAIN HOLE USING WOOD CEILING JIG AS GUIDE**

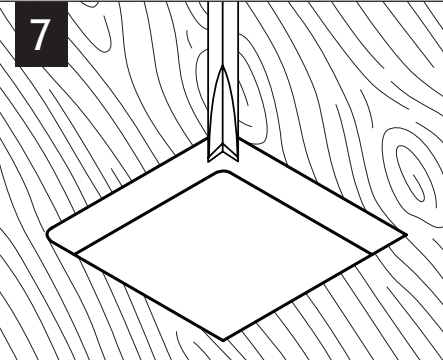


**6**

**REMOVE WOOD ROUTING JIG FROM WOOD CEILING SURFACE**

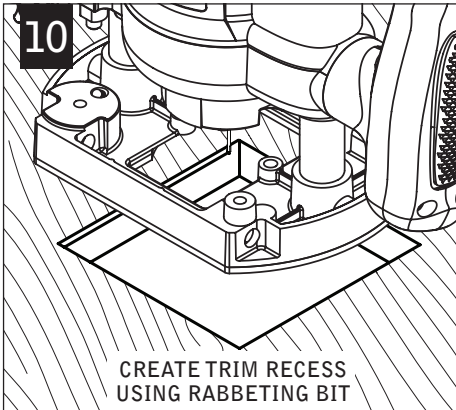
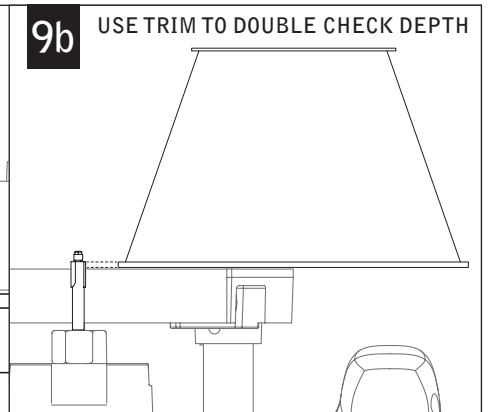
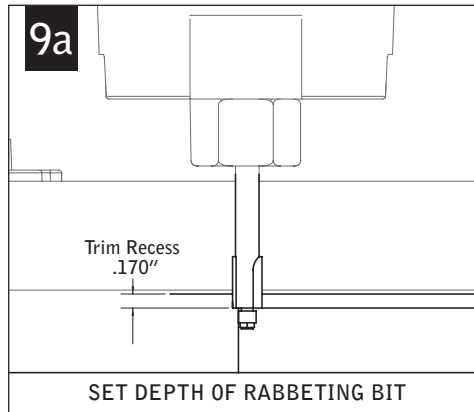
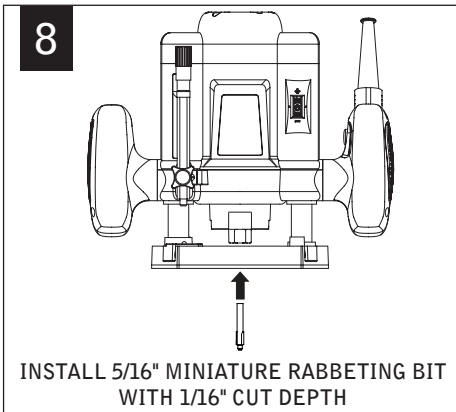


**7**

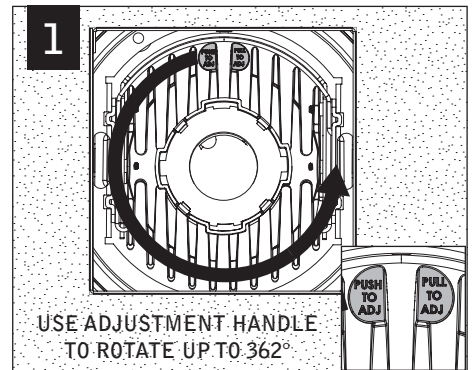


**SQUARE CORNERS**

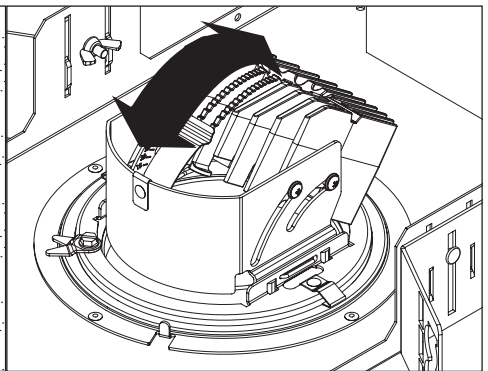
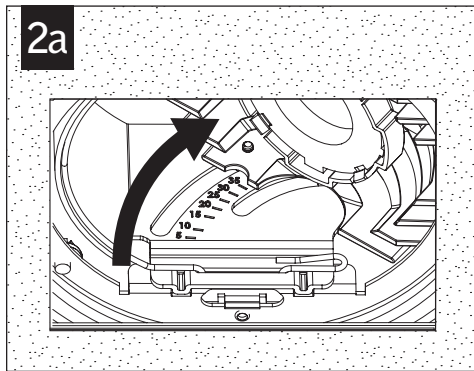
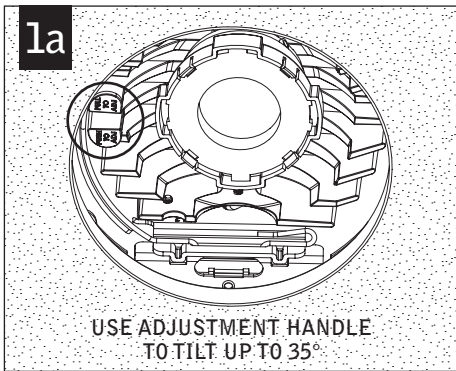
Fixtures must be installed by a qualified electrician (check with local and national codes for proper installation).  
To prevent electrical shock, disconnect electrical supply before installation or servicing.



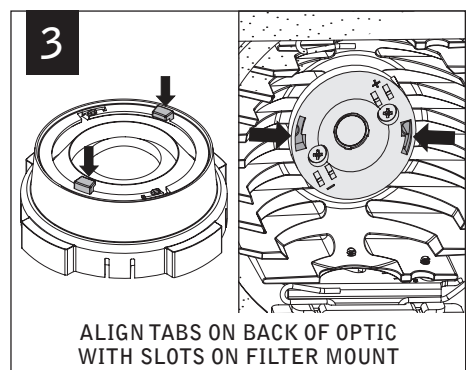
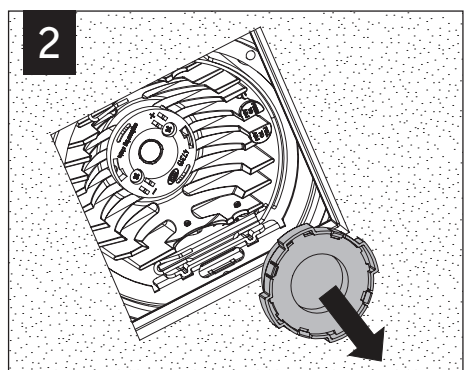
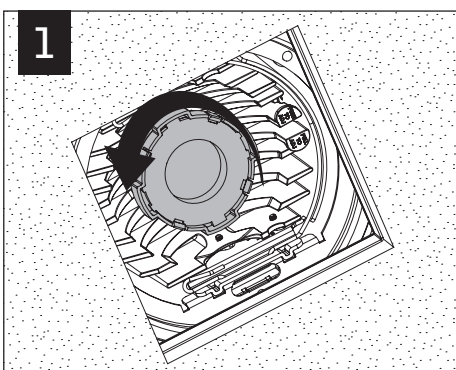
**ROTATE**



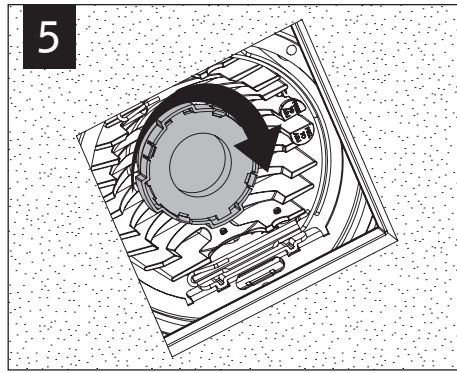
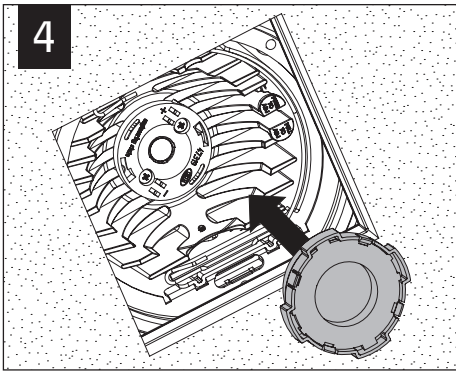
**TILT**



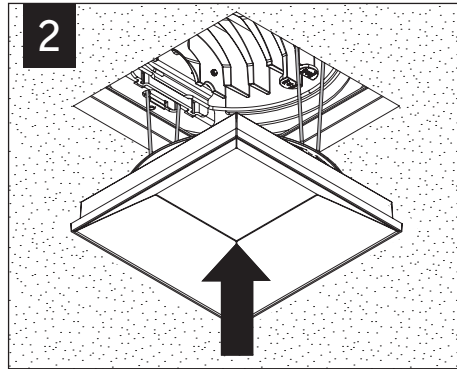
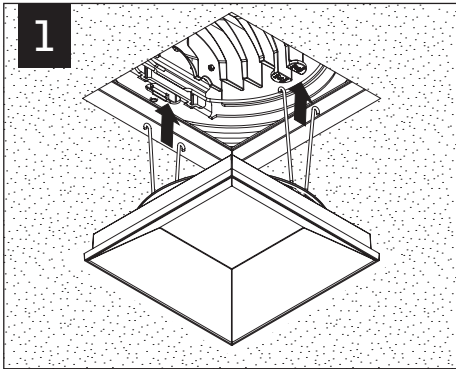
**OPTIC SERVICE**




Fixtures must be installed by a qualified electrician (check with local and national codes for proper installation). To prevent electrical shock, disconnect electrical supply before installation or servicing.

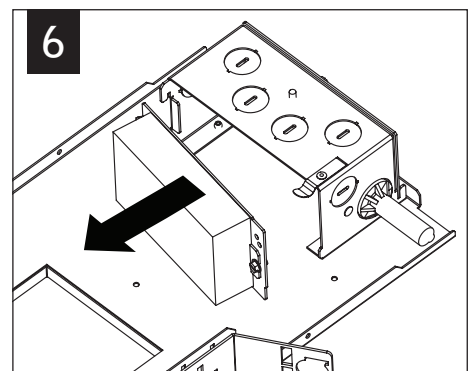
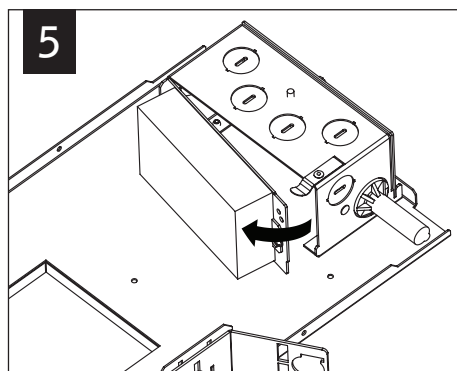
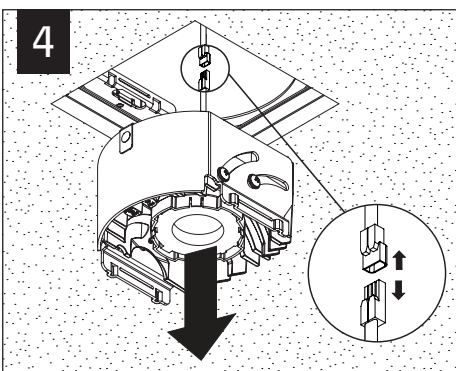
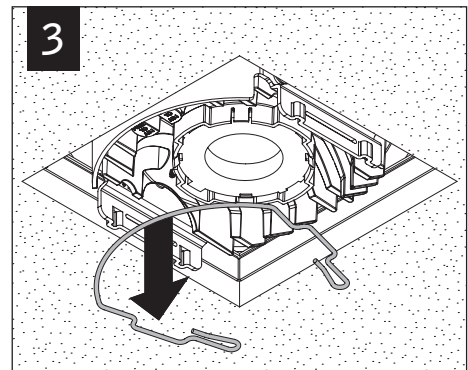
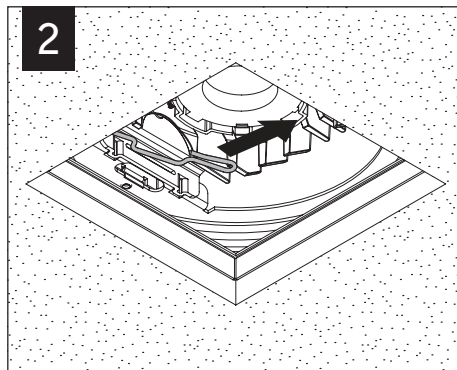
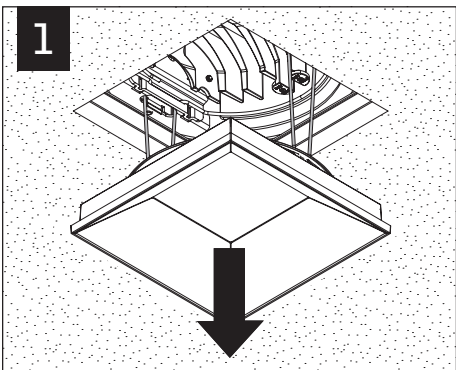


**TRIM INSTALLATION**



**DRIVER SERVICE**


**TO PREVENT ELECTRICAL SHOCK,  
DISCONNECT ELECTRICAL SUPPLY  
BEFORE SERVICING**



Contractor is responsible for adequately reinforcing walls and/or ceilings to support fixture weight. Focal Point, LLC accepts no responsibility for inadequately reinforced walls and/or ceilings. The information contained in this drawing is the sole property of Focal Point, LLC. Any reproduction in part or whole without the written permission of Focal Point, LLC is prohibited.