

ID+ 2.5" x 2.5"

LED ADJUSTABLE DOWNLIGHT



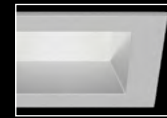
FOCAL POINT®



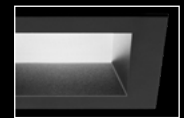
0°-15° Tilt
Spot Detail



15°-35° Tilt
Spot Detail



Clear Diffuse



Black



Warm Diffuse



White



Clear Diffuse &
White flange



Warm Diffuse &
White flange

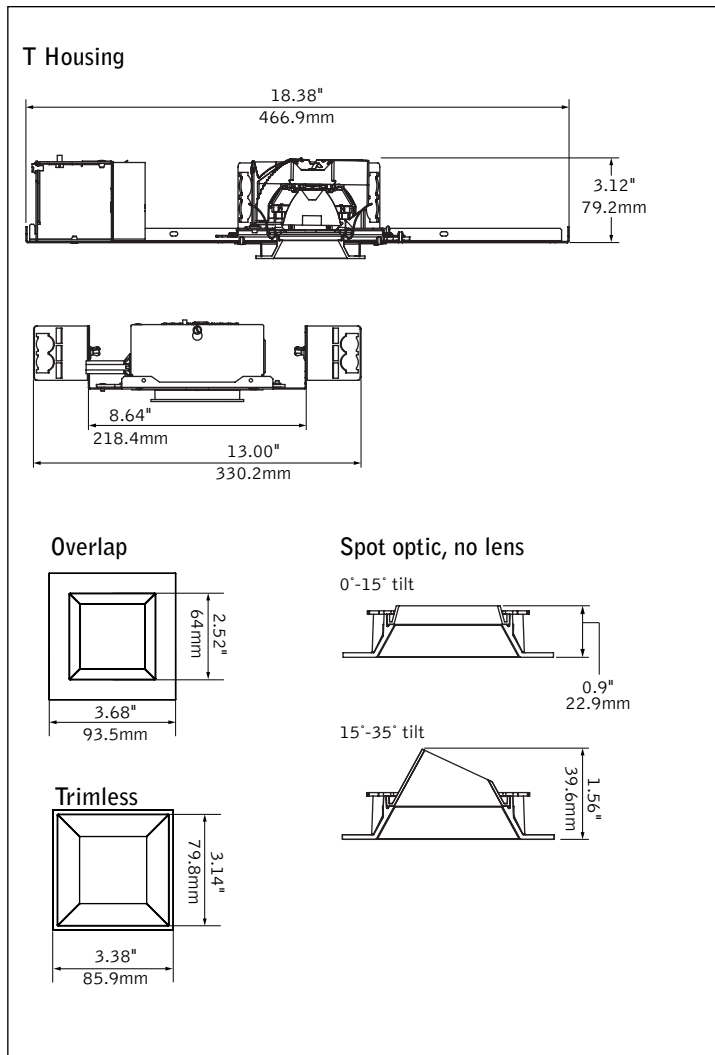


The Naturals collection - Walnut shown



Warm Diffuse &
White flange

DIMENSIONAL DATA



FEATURES

19° beam is ideal for art and object accenting, additional beamreads up to 75° complement any application.

Allows for aiming with locking 35° vertical tilt and 362° rotation of light module.

Overlap and trimless options.

Warm Dim: Lighting that enhances spaces with a warm glow, reminiscent of incandescent or halogen light sources.

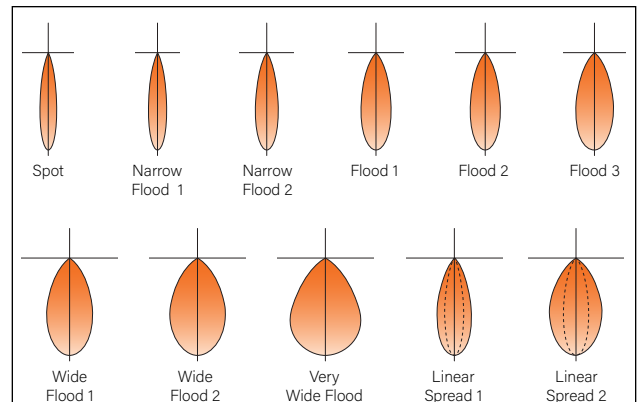
PoE compatible: Integrates with Power over Ethernet lighting systems via standard, low-voltage wires.

Outdoor rating permits use in outdoor covered ceiling applications.

Configurations available for Title 24 JA8 High Efficacy Lighting compliance.

Available with The Naturals, a series of finishes that exude biophilic beauty.

DISTRIBUTIONS



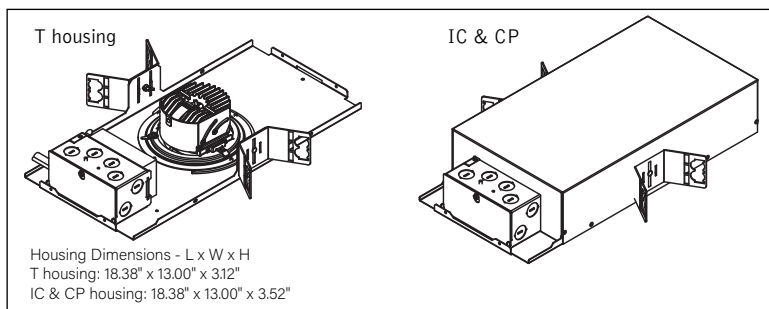
Distribution curves shown based on Square Overlap, Clear Diffuses. Photometric performance is measured in accordance with IESNA LM-79. Visit focalpointlights.com for complete photometric data.



fixture:

project:

HOUSING DETAILS



HOUSING SPECIFICATIONS

LED System

Proprietary LED module with single light emitting source. May be specified in 2700K, 3000K, 3500K or 4000K in CRI>80, CRI>90, or CRI>97. Color accuracy within 2 SDCM. Warm Dim within 3-5 SDCM. Aluminum heat sink provides appropriate thermal management.

Construction

T housing for new construction applications. Insulation to be kept 3" away from housing. Type IC inherently protected, suitable for direct contact with insulation. Butterfly brackets allow mounting to 1/2" emt. Order bar hangers as an accessory. Cast aluminum heat sink designed for maximum thermal dissipation. Die-formed housing and integral junction box with (7) 1/2" pry outs. UL & cUL listed for (8) #12 AWG (4 in, 4 out) 90°C conductors and feed through-branch wiring. Accommodates ceiling thicknesses from 0.5"-1.85" standard. For thicker ceiling consult factory. Fixture will not exceed 6lbs.

Adjustment

Manual locking 35° vertical tilt and 362° rotation of light module.

Electrical

Choice of constant current dimming drivers. Power factor > .9 typical. PoE compatible: Integrates with Power over Ethernet lighting systems via standard, low-voltage wires.

Emergency Battery

Emergency output—7W for 90 minutes. Maximum mounting height: Clear Diffuse & White: 17.71ft. Black & Warm Diffuse: 17.15ft. Above ceiling access only.

Labels

UL and cUL listed. Suitable for Dry, Damp or Wet Locations indoor use only. Wet Location Solite lens options only. Specify Outdoor rated (OD) for outdoor recessed ceiling applications.

Lumen Maintenance

Reported: L70 at >55,000 hours Calculated: L70 at 204,000 hours
Reported: L90 at >55,000 hours Calculated: L90 at 59,000 hours
Derived from EPA TM-21 calculator. Based on typical conditions, consult factory for additional data.

Reliability

At Focal Point, our products are designed to stand the test of time. Each luminaire is engineered using superior components, manufactured with the utmost care and rigorously tested. Contact us for reliability data.

Warranty

LED System rated for operation in ambient environments up to 25°C. 5-year limited warranty. Fixture with Outdoor rated option must be installed in a covered ceiling and is warranted for operation in ambient environments between -40°C to +25°C.

TRIM SPECIFICATIONS

Aesthetics

Parabolic reflector cone ensures glare free optics. Reflector is die-cast aluminum. Torsion springs pull trim tight to the ceiling with no visible fasteners within the trim. Trims are self-flanged. Non-painted trim matches reflector finish. White or Black painted flange may also be specified. Spot distribution offered with No lens option for a crisp punch of light. No lens options feature a shroud to conceal internal components and maintain a premium aesthetic while providing a narrow spot distribution. The Naturals: 100% low VOC vinyl.

Optics

TRIM TYPE	Distribution Beam Spread Spacing Criteria										
	SP	NFL1	NFL2	FL1	FL2	FL3	WFL1	WFL2	VWFL	LS1	LS2
SO	19°	21°	26°	31°	36°	46°	55°	65°	77°	23° x 40°	29° x 67°
	0.32	0.34	0.44	0.52	0.60	0.72	0.84	0.94	1.12	0.40 x 0.66	0.48 x 0.96
ST	19°	20°	26°	32°	36°	46°	56°	70°	83°	23° x 35°	28° x 69°
	0.32	0.36	0.44	0.52	0.58	0.72	0.84	0.96	1.20	0.40 x 0.56	0.48 x 0.94

PERFORMANCE CHART

See Page 4

HOUSING ORDERING

Housing Series	FLCS22
ID+ 2.5" Square Housing	FLCS22
Trim Type	SO
Square Overlap	ST
Square Trimless	
Lumen Output	
500 Lumens (L1, LD1 & LVN only)	500L
700 Lumens (Not available with LFP or LH1)	700L
900 Lumens (Not available with LFP or LH1)	900L
1100 Lumens	1100L
1300 Lumens	1300L
1500 Lumens	1500L
<small>(Not available with LFP or LH1 with IC housing or CP option.)</small>	
Color Temperature	
<small>(Add 9 for 90 CRI or H for 97 CRI. Leave blank for 80 CRI.)</small>	
2700K, 80/90/97+ CRI	_27K
3000K, 80/90/97+ CRI	_30K
3500K, 80/90/97+ CRI	_35K
4000K, 80/90/97+ CRI	_40K
Warm Dim: 2700-1800K, 90+ CRI*	92718W
Warm Dim: 3000-1800K, 90+ CRI*	93018W
<small>*(700L Only. EMR not available. UNV & LV not available.)</small>	
Distribution	
Spot	SP
Narrow Flood 1	NFL1
Narrow Flood 2	NFL2
Flood 1	FL1
Flood 2	FL2
Flood 3	FL3
Wide Flood 1	WFL1
Wide Flood 2	WFL2
Very Wide Flood	VWFL
Linear Spread Lens 1	LS1
Linear Spread Lens 2	LS2
Voltage	
UNV 120/277 Volt**	UNV
120 Volt	120
277 Volt	277
Low Voltage**	LV
<small>** (T & TW housings: 900L max.)</small>	

Driver	
0-10V - 0% Dimming	LZ1
0-10V - 1% Dimming	L11
0-10V - 10% Dimming	LD1
Forward Phase (120V only)	LFP
Low Voltage, PoE Compatible	LVN
<small>(No driver, LV Voltage only. Not available with EM.)</small>	
Lutron Hi-Lume EcoSystem (LDE1) - 1% Dimming	LH1
DALI - 0% Dimming	DZ1
DALI - 1% Dimming	D11

Housing Type	
IC rated	IC
<small>(Not Available with LFP or LH1 with 1500L.)</small>	
Non-IC	T
Non-IC Wood	TW
<small>(ST only, requires Trimless Wood Kit.)</small>	
Factory Options	
Bar Hangers	BH
Chicago Plenum	CP
Emergency Battery with Remote Test Switch	EMR
<small>(T housing only. Not available with Warm Dim. Above ceiling access only.)</small>	
Outdoor Rated	OD
<small>(LD1 & T housing only. Not available with CP or EMR. See dimming performance table.)</small>	
Title 24 / JA8 Compliant	JA8
<small>(Consult JA8 Reference Guide for available options.)</small>	

TRIM ORDERING

Aperture	LCS22
2.5" Square Aperture	
Trim Type	
Square Die-Cast Overlap	SDO
Square Die-Cast Trimless	SDT
Lumen Output	
Color Temperature	
Distribution	
Optic	
Solite Lens	SL
<small>(Not available with Spot distribution)</small>	
Spot Optic, no lens, 0°-15° tilt (Spot distribution only)	SP00
Spot Optic, no lens, 15°-35° tilt (Spot distribution only)	SP35

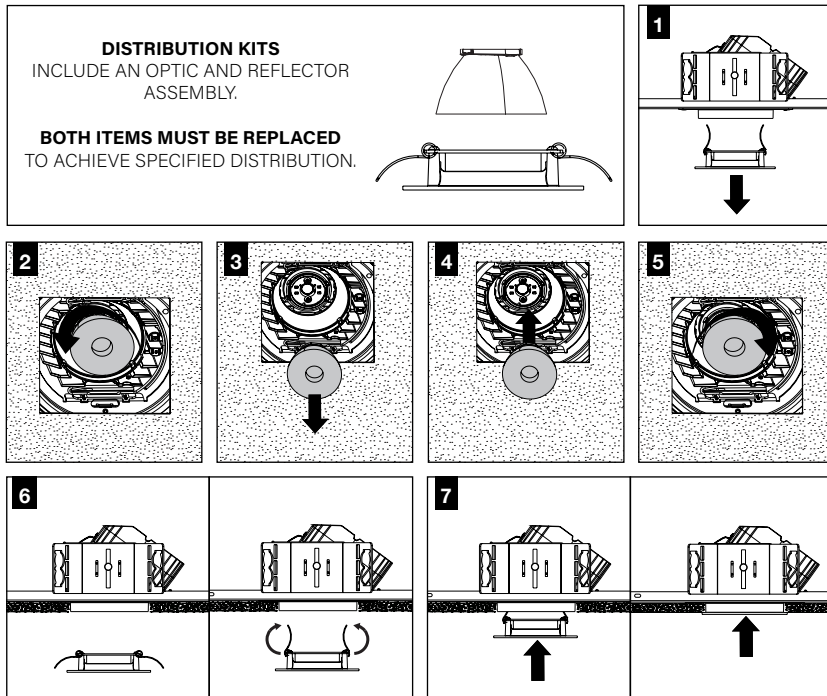
Color	
<small>(See finishes page for The Naturals options)</small>	
Clear Diffuse	CD
Warm Diffuse	WD
Black	BK
White	WH
Optional Flange Finish	
<small>(Overlap CD & WD finish only.) (For matching finishes leave blank)</small>	
Black Painted	BP
White Painted	WP
Factory Options	
Title 24 / JA8 Compliant (Trim & housing must match.)	JA8

ACCESSORIES ORDERING

See Page 3

fixture:

project:



ACCESSORIES ORDERING

DISTRIBUTION KITS

Aperture

2.5" Square Aperture KIT-LCS22 _____

Trim Type

Square Die-Cast Overlap SDO _____

Square Die-Cast Trimless SDT _____

Distribution

Spot SP _____

Narrow Flood 1 NFL1 _____

Narrow Flood 2 NFL2 _____

Flood 1 FL1 _____

Flood 2 FL2 _____

Flood 3 FL3 _____

Wide Flood 1 WFL 1 _____

Wide Flood 2 WFL 2 _____

Very Wide Flood VWFL _____

Linear Spread Lens 1 LS1 _____

Linear Spread Lens 2 LS2 _____

Optic

Solite Lens SL _____

(Not available with Spot distribution)

Spot Optic, no lens, 0°-15° tilt _____

(Spot distribution only)

Spot Optic, no lens, 15°-35° tilt _____

(Spot distribution only)

Color

(See finishes page for The Naturals options)

Clear Diffuse CD _____

Warm Diffuse WD _____

Black BK _____

White WH _____

Optional Flange Finish

(Overlap CD & WD finish only.)

(For matching finishes leave blank.)

Black Painted BK _____

White Painted WH _____

Factory Options

Title 24 / JA8 Compliant _____

(Trim & housing must match.)

JA8 _____

SPOT OPTIC TILT KITS

Housing Series

ID+ 2.5" Square Housing KIT-FLCS22 _____

Optic

0°-15° tilt SP00 _____


15°-35° tilt SP35 _____

Both 0°-15° tilt and 15°-35° tilt SPB _____

WOOD KITS

Trimless Wood Kit FLCS22-
(One kit suggested per 10 units) WOOD-KIT _____

2.5" SQUARE ADJUSTABLE DOWNLIGHT PERFORMANCE TABLE

Lumen Output	Delivered Lumens	System Watts	LPW
500L	500	5.7	87
700L	700	7.7	90
 700L	698	17	41
900L	900	9.9	91
1100L	1100	13.3	83
1300L	1300	15.6	83
1500L	1492	18.3	85

Based on SL optic, 3500K, 80CRI, Narrow Flood, Clear Diffuse. Warm Dim based on 3000 - 1800K, 90 CRI. Overlap and trimless offer identical performance. Delivered lumen output may vary +/- 5%. Actual wattage may vary +/- 5%.

2.5" SQUARE ADJUSTABLE DOWNLIGHT CBCP CHART

Lumen Output	Distribution	Beamspread	Center Beam Candlepower (CBCP)
1500L	SP	19°	10687
	NFL1	21°	7686
	NFL2	26°	5277
	FL1	31°	3994
	FL2	36°	3288
	FL3	46°	2138
	WFL1	55°	1581
	WFL2	65°	1167
	VWFL	77°	898
	LS1	23° x 40°	4146
	LS2	29° x 67°	2000


Based on Square Overlap trim (SO).

OUTDOOR RATED (OD) DRIVER DIMMING PERFORMANCE TABLE

Lumen Output	Minimum Dimming Level
500L	29%
700L	21%
900L	16%
1100L	13%
1300L	11%
1500L	10%

2.5" SQUARE DOWNLIGHT LUMEN MULTIPLIER TABLE

Color Temperature & CRI¹

Color Options	Lumen Output	Color Temperature & CRI	Multiplier
Standard White	All Outputs	2700K, 80+ CRI [27K]	0.92
		2700K, 90+ CRI [927K]	0.79
		2700K, 97+ CRI [9727K]	0.67
		3000K, 80+ CRI [30K]	0.98
		3000K, 90+ CRI [930K]	0.83
		3000K, 97+ CRI [9730K]	0.72
		3500K, 80+ CRI [35K]	1.00
		3500K, 90+ CRI [935K]	0.82
		3500K, 97+ CRI [9735K]	0.73
		4000K, 80+ CRI [40K]	1.01
		4000K, 90+ CRI [940K]	0.84
		4000K, 97+ CRI [9740K]	0.76
		 Warm Dim	700L
		3000-1800K, 90+ CRI [93018W]	1.00

Color³

Trim	Color	Multiplier
All	Clear Diffuse [CD]	1.00
	Warm Diffuse [WD]	1.01
	White [WH]	1.02
	Black [BK]	0.99
	Woven Linen [WLN]	0.93
	Walnut [WLT]	0.45
	Gray Elm [GRE]	0.72
	Chestnut [CHT]	0.75
	Light Oak [LOK]	0.90

Distribution²

Trim	Distribution	Multiplier
Overlap & Trimless	Spot [SP]	1.20
	Narrow Flood 1 [NFL1]	1.16
	Narrow Flood 2 [NFL2]	1.03
	Flood 1 [FL1]	1.04
	Flood 2 [FL2]	1.01
	Flood 3 [FL3]	0.93
	Wide Flood 1 [WFL1]	0.95
	Wide Flood 2 [WFL2]	0.93
	Very Wide Flood [VWFL]	0.92
	Linear Spread 1 [LS1]	0.94
	Linear Spread 2 [LS2]	0.88

How To Use Lumen Multipliers

Formula:

(Lumen Output Value) x (Color Temperature & CRI¹) x (Distribution²) x (Color³)

Example:

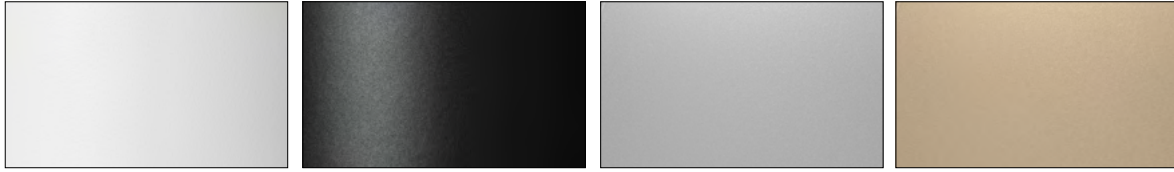
FLCS22-SO-1500L-935K-FL1-SDO-WH
 (1500) x (0.82) x (1.04) x (1.02) ≈ 1305lm (estimated delivered lumens)

Multiplier charts are provided to aid with estimation of lumen levels across options. Apply multipliers against ordered Lumen Output to estimate Delivered Lumens. An estimation should make use of all tables through consecutive application of three multipliers. Refer to IES files for most accurate photometric information.

Finishes

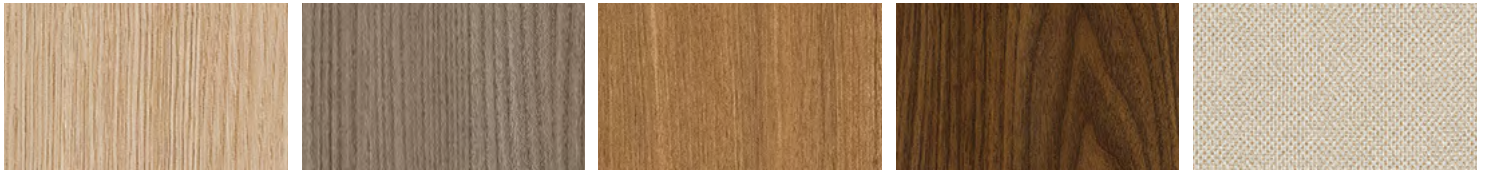


STANDARD FINISHES



WHITE WH BLACK BK CLEAR DIFFUSE CD WARM DIFFUSE WD

THE NATURALS (25% SCALE)



LIGHT OAK LOK GRAY ELM GRE CHESTNUT CHT WALNUT WLT WOVEN LINEN WLN