

# ID+ 4.5"

LED WALL WASH



clear diffuse



warm diffuse



white



clear diffuse & white flange



warm diffuse & white flange

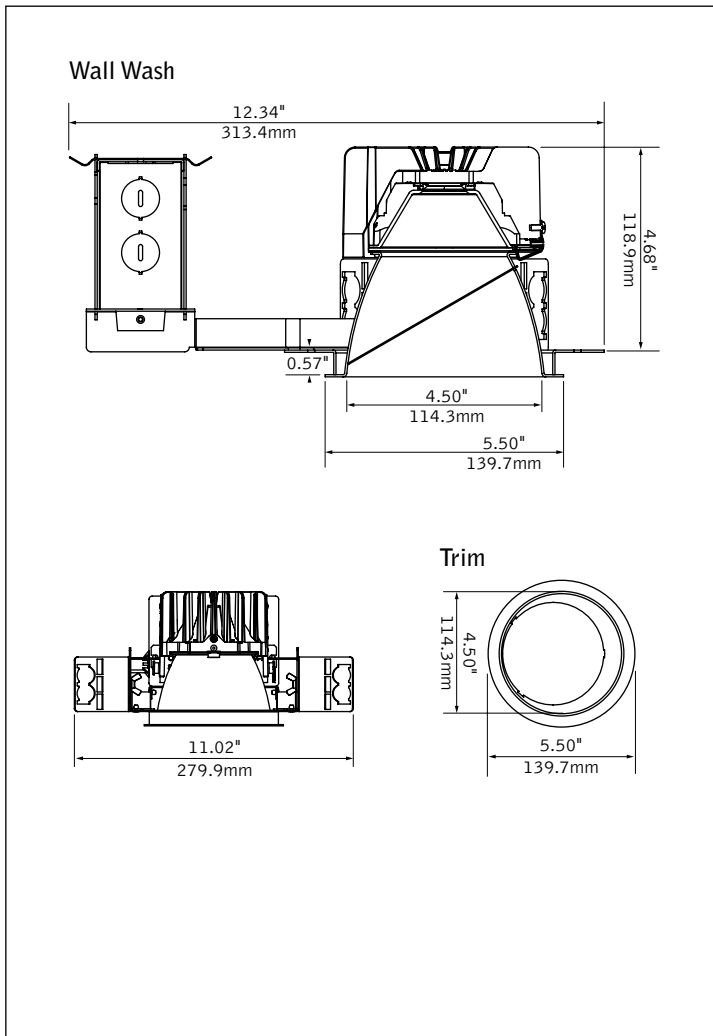


black



trimless companion

## DIMENSIONAL DATA



## FEATURES

Field adjustability of ceiling thickness from 0.5" to 3.0"

50° cutoff to light source and its image.

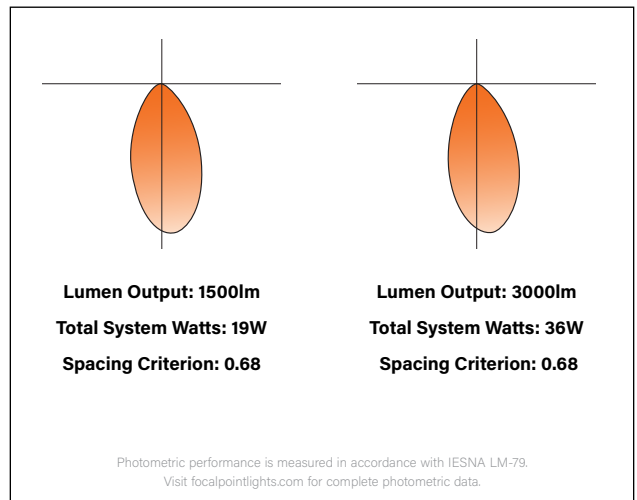
Right Light: Standard delivered lumen outputs 1000, 1500, 2000, 2500, and 3000.

Warm Dim: Lighting that enhances spaces with a warm glow, reminiscent of incandescent or halogen light sources.

PoE compatible: Integrates with Power over Ethernet lighting systems via standard, low-voltage wires.

Compatible with common pre-engineered grid ceiling systems requiring luminaires fitting into a 6" slot.

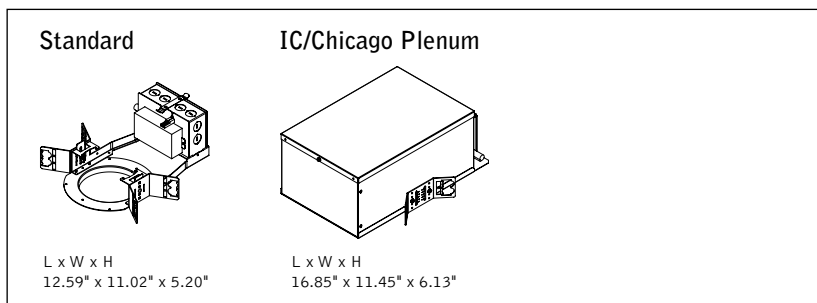
## PERFORMANCE



fixture:

project:

## HOUSING DETAILS



## HOUSING SPECIFICATIONS

### Construction

Thermally protected housing for new construction applications. Insulation to be kept 3" away from housing. Type IC inherently protected, suitable for direct contact with insulation. Butterfly brackets allow mounting to 1/2" emt. Order bar hangers as an accessory. Die-cast aluminum heat sink designed for maximum thermal dissipation. Die-formed housing and integral junction box with (7) 1/2" pry-outs. T-rated: UL & cUL Listed for (6) #14 AWG (3 in, 3 out) 90°C conductors and feed through-branch wiring. IC/CP housing: UL & cUL Listed for (8) #12 AWG (4 in, 4 out) 90°C conductors and feed through-branch wiring for IC/CP housing. Accommodates ceiling thicknesses up to 0.5" standard, field adjustable up to 3.0" thickness. For thicker ceiling consult factory. Order TZB option for TechZone compatible housing brackets. T-rated housing will not exceed 6lb, IC/CP housing will not exceed 12lb.

### Electrical

Choice of constant current dimming drivers. Power factor > .9 typical. PoE compatible: Integrates with Power over Ethernet lighting systems via standard, low-voltage wires.

### Labels

UL and cUL Listed. Suitable for Dry, Damp or Wet Locations, indoor use only. Specify Outdoor rated (OD) for outdoor recessed ceiling applications.

### Lumen Maintenance

Reported: L70 at >55,000 hours      Calculated: L70 at 204,000 hours  
 L90 at >55,000 hours                      L90 at 59,000 hours

Derived from EPA TM-21 calculator. Based on typical conditions, consult factory for additional data.

### Reliability

At Focal Point, our products are designed to stand the test of time. Each luminaire is engineered using superior components, manufactured with the utmost care and rigorously tested. Contact us for reliability data.

### Warranty

LED System rated for operation in ambient environments up to 25°C. 5-year limited warranty. Fixture with Outdoor rated option must be installed in a covered ceiling and is warranted for operation in ambient environments between -20°C to +40°C.

## TRIM & LED SPECIFICATIONS

### LED System

Proprietary array incorporates premium LEDs on a robust platform. May be specified in 2700K, 3000K, 3500K or 4000K, 80+ CRI or 90+ CRI. 3500K and 4000K with CRI>90 have a cyanosis observation index (COI) of 3.3 or less. Color accuracy within 2 SDCM. Aluminum heat sink provides appropriate thermal management.

### Aesthetics

Parabolic reflector cone ensures glare free optics. Reflector is .050" spun aluminum. Torsion springs pull trim tight to the ceiling with no visible fasteners within the trim. Trims are self-flanged. Non-painted trim matches reflector finish. White or Black painted flange may also be specified.

### Optics

50-degree cut-off to light source and its image. Wall wash features acrylic diffuser to provide smooth illumination down the wall.

## PERFORMANCE CHART

Lumen Output	Delivered Lumens	System Watts	LPW
1000L	963	11	85
1500L	1448	19	76
1500L	1360	25	54
2000L	1924	26	75
2000L	1914	37	52
2500L	2347	32	73
3000L	2834	36	79

Based on 3500K, 80 CRI. White. WDM base on 3000 - 1800K, 90 CRI. Lumen output may vary +/- 5%. Actual wattage may vary +/- 5%.

Focal Point LLC reserves the right to change specifications for product improvement without notification.

## HOUSING ORDERING

<b>Housing Series</b>	<b>FLC4W</b>
ID+ 4.5" Round Wall Wash	
<b>Trim Type</b>	<b>RO</b>
Round Overlap	
<b>Color Options</b>	
Standard White, 80 & 90 CRI	SW
Warm Dim	WDM
<small>(1500 &amp; 2000 lumens only, UNV not available.)</small>	
<b>Lumen Output</b>	
1000 Lumens	1000L
1500 Lumens	1500L
2000 Lumens	2000L
2500 Lumens	2500L
3000 Lumens	3000L
<small>(Not available with LFP)</small>	
<b>Voltage</b>	
UNV 120V/277V	UNV
<small>(IC housing only. Not available with LFP)</small>	
120V	120
277V	277
<b>Low Voltage</b>	LV
<small>(IC housing: 2000L max. T housing: 1000L only)</small>	
<b>Control System &amp; Dimming Level</b>	
0-10V - 0% Dimming	LZ1
0-10V - 1% Dimming	L11
0-10V - 10% Dimming	LD1
<b>Low Voltage, PoE compatible</b>	LVN
<small>(No driver. LV Voltage only)</small>	
<b>Forward Phase</b>	LFP
<small>(120V only)</small>	
<b>Lutron Hi-Lume EcoSystem (LDE1) -</b>	
1% Dimming	LH1
DALI - 0% Dimming	DZ1
DALI - 1% Dimming	D11
<b>Housing Type</b>	
IC Rated / Airtight	IC
<small>(L11, LD1, LVN, LH1 2000L max. LZ1, D11, DZ1, LFP 1500L max. LC4AT required for Airtight.)</small>	
<b>Thermally Protected</b>	T
<b>Factory Options</b>	
Bar Hangers	BH
Chicago Plenum	CP
Outdoor Rated	OD
<small>(LD1 driver only. IC housing 1500L max. Consult factory for dimming range.)</small>	
Bracket for 6" slot pre-engineered ceiling	TZB
<b>TRIM &amp; LED MODULE</b>	
<b>Aperture</b>	
4.5" Round Reflector	LC4
4.5" Round Reflector - Airtight	LC4AT
<small>(IC housing required for Airtight rating)</small>	
<b>Trim Type</b>	<b>RO</b>
Round	
<b>Lumen Output</b>	
<small>(Trim &amp; Housing output must match)</small>	
1000 Lumens	1000L
1500 Lumens	1500L
2000 Lumens	2000L
2500 Lumens	2500L
3000 Lumens	3000L
<b>Color Temperature</b>	
2700K, 80+ CRI or 90+ CRI	27K or 927K
3000K, 80+ CRI or 90+ CRI	30K or 930K
3500K, 80+ CRI or 90+ CRI	35K or 935K
4000K, 80+ CRI or 90+ CRI	40K or 940K
Warm Dim: 2700-1800K, 90+ CRI	92718W
<small>(1500 &amp; 2000 lumens only)</small>	
Warm Dim: 3000-1800K, 90+ CRI	93018W
<small>(1500 &amp; 2000 lumens only)</small>	
<b>Optic</b>	<b>WW</b>
Wall Wash	
<b>Color</b>	
Clear Diffuse	CD
Warm Diffuse	WD
Black	BK
<small>(Black Painted flange only)</small>	
White	WH
<small>(White Painted flange only)</small>	
<b>Flange Finish</b>	
Non-Painted, matches reflector color	NP
<small>(Clear and warm diffuse only)</small>	
Black Painted	BP
White Painted	WP



Options in orange qualify for the Quickship program. 5-day up to 100 pieces. Refer to Quickship Guide for complete details.