

ID+ 4.5" x 4.5"

LED DOWNLIGHT



FOCAL POINT®



solite lens option



clear diffuse



warm diffuse



warm diffuse & white flange



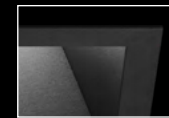
The Naturals collection - Grey Elm shown



white



clear diffuse & white flange

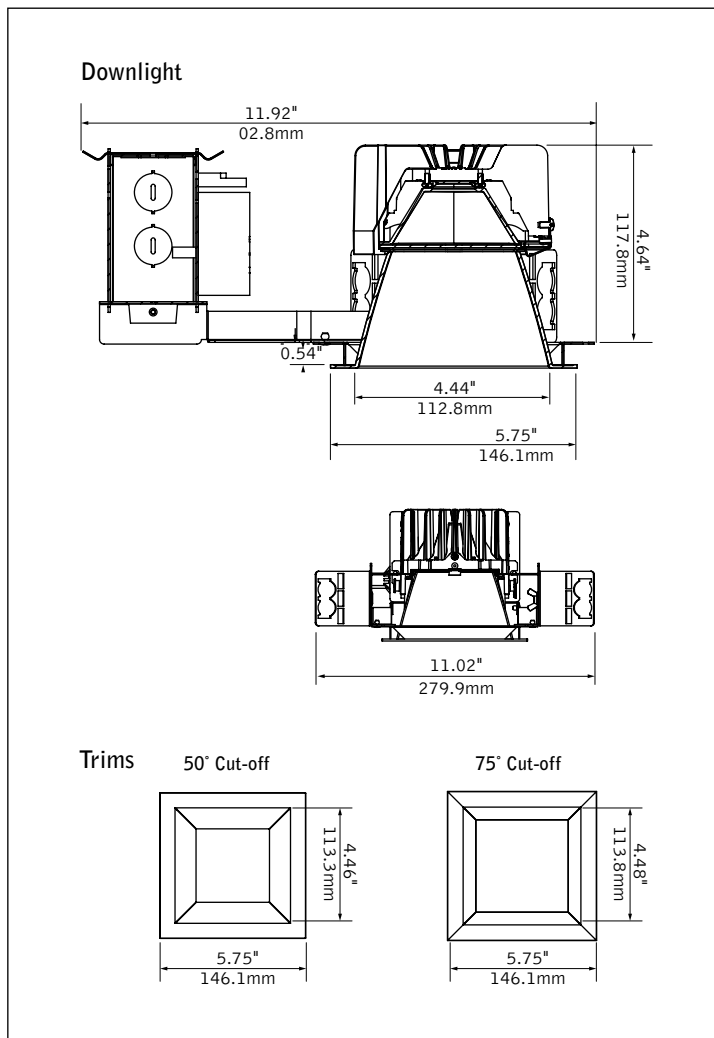


black



trimless companion

DIMENSIONAL DATA



FEATURES

Field adjustability of ceiling thickness from 0.5" to 3.0"

50° or 75° cutoff to light source and its image.

Right Light: Standard delivered lumen outputs 1000, 1500, 2000, 2500, and 3000.

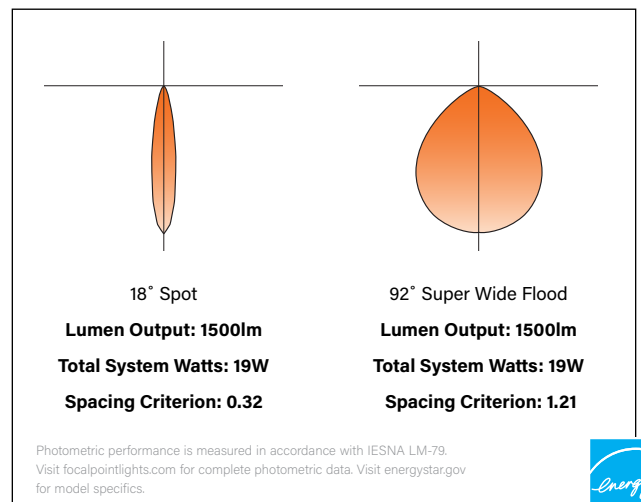
Warm Dim: Lighting that enhances spaces with a warm glow, reminiscent of incandescent or halogen light sources.

PoE compatible: Integrates with Power over Ethernet lighting systems via standard, low-voltage wires.

Compatible with common pre-engineered grid ceiling systems requiring luminaires fitting into a 6" slot.

Available with The Naturals, a series of finishes that exude biophilic beauty.

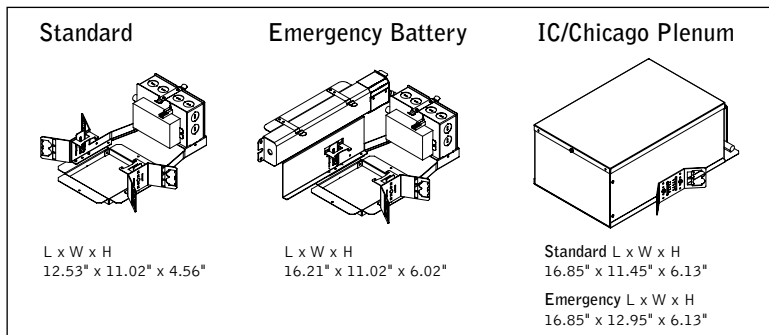
PERFORMANCE



fixture:

project:

HOUSING DETAILS



HOUSING SPECIFICATIONS

Construction

Thermally protected housing for new construction applications. Insulation to be kept 3" away from housing. Type IC inherently protected, suitable for direct contact with insulation. Butterfly brackets allow mounting to 1/2" emt. Order bar hangers as an accessory. Die-cast aluminum heat sink designed for maximum thermal dissipation. Die-formed housing and integral junction box with (7) 1/2" pry-outs. T-rated: UL & cUL Listed for (6) #14 AWG (3 in, 3 out) 90°C conductors and feed through-branch wiring. IC/CP housing: UL & cUL Listed for (8) #12 AWG (4 in, 4 out) 90°C conductors and feed through-branch wiring for IC/CP housing. Accommodates ceiling thicknesses up to 0.5" standard, field adjustable up to 3.0" thickness. For thicker ceiling consult factory. Order TZB option for TechZone compatible housing brackets. T-rated housing will not exceed 6lb, IC/CP housing will not exceed 12lb.

Electrical

Choice of constant current dimming drivers. Power factor > .9 typical. PoE compatible: Integrates with Power over Ethernet lighting systems via standard, low-voltage wires.

Emergency

Emergency Battery Pack: Bodine BSL17C-C2. Emergency output —7W for 90 minutes. Maximum mounting height: 25.8ft. (Black reflector: 18.0ft.) Not wet location or outdoor rated.

Labels

UL and cUL Listed. Suitable for Dry, Damp or Wet Locations, indoor use only. Specify Outdoor rated (OD) for outdoor recessed ceiling applications.

Lumen Maintenance

Reported: L70 at >55,000 hours Calculated: L70 at 204,000 hours
L90 at >55,000 hours L90 at 59,000 hours

Derived from EPA TM-21 calculator. Based on typical conditions, consult factory for additional data.

Reliability

At Focal Point, our products are designed to stand the test of time. Each luminaire is engineered using superior components, manufactured with the utmost care and rigorously tested. Contact us for reliability data.

Warranty

LED System rated for operation in ambient environments up to 25°C. 5-year limited warranty. Fixture with Outdoor rated option must be installed in a covered ceiling and is warranted for operation in ambient environments between -20°C to +40°C.

TRIM & LED SPECIFICATIONS

LED System

Proprietary array incorporates premium LEDs on a robust platform. May be specified in 2700K, 3000K, 3500K or 4000K, 80+ CRI or 90+ CRI. 3500K and 4000K with CRI>90 have a cyanosis observation index (COI) of 3.3 or less. Color accuracy within 2 SDCM. Aluminum heat sink provides appropriate thermal management.

Aesthetics

Torsion springs pull single molded die-cast trim tight to the ceiling with no visible fasteners within the trim. The Naturals: 100% low VOC vinyl.

Optics

50-degree or 75-degree cut-off to light source and its image.

Optic	Cut-Off Degree	Lumen Output	Distribution Beam Spread							Spacing Criteria	
			SP	NFL	FL1	FL2	WFL	VWFL	SWFL		
DN	50°	1000-2500	18° .32	23° .40	34° .56	45° .72	52° .86	70° 1.08	-		
		3000	-	25° .43	39° .64	47° .74	52° .86	70° 1.08	-		
DSS	75°	1000-2500	-	-	-	-	-	70° 1.01	92° 1.21		
		3000	-	-	-	-	-	70° 1.00	94° 1.22		

PERFORMANCE CHART* - see page 3.

Focal Point LLC reserves the right to change specifications for product improvement without notification.



HOUSING ORDERING

Housing Series	FLC44D	FLC44D
ID+ 4.5" Square Downlight		
Trim Type		SO
Square Overlap	SO	
Color Options		
Standard White, 80 & 90 CRI	SW	
Warm Dim	WDM	
<small>(1500 & 2000 lumens only. UNV & EM not available.)</small>		
Lumen Output		
1000 Lumens		1000L
1500 Lumens		1500L
2000 Lumens		2000L
2500 Lumens		2500L
3000 Lumens		3000L
<small>(Not available with SP distribution or LFP)</small>		
Voltage		
UNV 120V/277V		UNV
<small>(IC housing only. Not available with LFP)</small>		
120V		120
277V		277
Low Voltage		LV
<small>(IC housing: 2000L max. T housing: 1000L only)</small>		
Control System & Dimming Level		
0-10V - 0% Dimming		LZ1
0-10V - 1% Dimming		L11
0-10V - 10% Dimming		LD1
Low Voltage, PoE compatible		LVN
<small>(No driver. Not available with EM. LV Voltage only)</small>		
Forward Phase (120V only)		LFP
Lutron Hi-Lume EcoSystem (LDE1) - 1% Dimming		LH1
DALI - 0% Dimming		DZ1
DALI - 1% Dimming		D11
Housing Type		
IC Rated / Airtight		IC
<small>(L11, LD1, LVN, LH1 2000L max. LZ1, D11, DZ1, LFP 1500L max. LC44AT required for Airtight. Not available with EM.)</small>		
Thermally Protected		T
Factory Options		
Bar Hangers		BH
Chicago Plenum		CP
Emergency Battery		EM
<small>(Must order LC44EM trim. Not wet location or outdoor rated.)</small>		
Outdoor Rated		OD
<small>(LD1 driver only. IC housing 1500L max. See dimming Performance Chart on page 3.)</small>		
Bracket for 6" slot pre-engineered ceiling		TZB
TRIM & LED MODULE		
Aperture		
4.5" Square Reflector		LC44
4.5" Square Reflector - Airtight		LC44AT
<small>(IC housing required for Airtight rating)</small>		
4.5" Square Reflector - Emergency		LC44EM
<small>(Required for "EM" option. DN optic only. Not wet location or outdoor rated.)</small>		
Trim Type		SDO
Square Die-Cast Overlap		SDO
Lumen Output		
<small>(Trim & Housing output must match)</small>		
1000 Lumens		1000L
1500 Lumens		1500L
2000 Lumens		2000L
2500 Lumens		2500L
3000 Lumens		3000L
<small>(Not available with SP distribution)</small>		
Color Temperature		
2700K, 80+ CRI or 90+ CRI		27K or 927K
3000K, 80+ CRI or 90+ CRI		30K or 930K
3500K, 80+ CRI or 90+ CRI		35K or 935K
4000K, 80+ CRI or 90+ CRI		40K or 940K
Warm Dim: 2700-1800K, 90+ CRI		92718W
<small>(1500 & 2000 lumens only)</small>		
Warm Dim: 3000-1800K, 90+ CRI		93018W
<small>(1500 & 2000 lumens only)</small>		
Optic		
Downlight with 50° cut-off		DN
Super Short Cone with Solite Lens 75° cut-off		DSS
<small>(VWFL or SWFL only)</small>		
Distribution		
Spot		SP
Narrow Flood		NFL
Flood 1		FL1
Flood 2		FL2
Wide Flood		WFL
Very Wide Flood		VWFL
Super Wide Flood (DSS Optic only)		SWFL
Color		
<small>(See finishes page for The Naturals options)</small>		
Clear Diffuse		CD
Warm Diffuse		WD
Black (Black Flange Finish only)		BK
White (White Flange Finish only)		WH
Flange Finish		
Non-Painted, matches reflector color		NP
<small>(Clear and warm diffuse only)</small>		
Black Painted		BP
White Painted		WP



Options in orange qualify for the Quickship program. 5-day up to 200 pieces. Refer to Quickship Guide for complete details.

SQUARE DOWNLIGHT PERFORMANCE CHART

Lumen Output	Delivered Lumens	System Watts	LPW
1000L	1016	11	89
1500L	1527	19	80
 1500L	1480	25	58
2000L	2028	26	79
 2000L	2079	37	57
2500L	2452	32	76
3000L	2941	36	81

Based on downlight (DN) optic, 3500K, 80CRI, Wide Flood, Clear Diffuse.
Delivered lumen output may vary +/- 5%. Actual wattage may vary +/- 5%

OUTDOOR RATED (OD) DRIVER DIMMING PERFORMANCE CHART

Lumen Output	Minimum Dimming Level
1000L	25%
1500L	16%
2000L	12%
2500L	10%
3000L	10%

SQUARE DOWNLIGHT LUMEN MULTIPLIER TABLE

Color Temperature & CRI

Trim Type	Optic	Color Temperature	Multiplier	
ALL	ALL	ALL	2700K, 80+ CRI [27K]	0.93
			2700K, 90+ CRI [927K]	0.75
			3000K, 80+ CRI [30K]	0.93
			3000K, 90+ CRI [930K]	0.81
			3500K, 80+ CRI [35K]	1.00
			3500K, 90+ CRI [935K]	0.81
			4000K, 80+ CRI [40K]	1.00
			4000K, 90+ CRI [940K]	0.87
		1500	2700-1800K, 90+ CRI [92718W]	0.93
		2000		1.09
		1500	3000-1800K, 90+ CRI [93018W]	0.99
		2000		1.04

Distribution

Trim Type	Optic	Distribution	Multiplier	
			1000 - 2500L	3000L
Square Die-Cast Trimless [SDT]	Downlight with 50° cut-off [DN]	Spot [SP]	1.05	-
		Narrow Flood [NFL]	1.04	1.04
		Flood 1 [FL1]	0.97	0.96
		Flood 2 [FL2]	0.99	0.98
		Wide Flood [WFL]	1.00	1.00
		Very Wide Flood [VWFL]	0.94	0.93
Square Die-Cast Overlap [SDO]	Downlight with 50° cut-off [DN]	Spot [SP]	1.03	-
		Narrow Flood [NFL]	1.02	1.02
		Flood 1 [FL1]	0.96	0.93
		Flood 2 [FL2]	0.97	0.94
		Wide Flood [WFL]	0.98	0.98
		Very Wide Flood [VWFL]	0.90	0.90
Square Die-Cast Trimless [SDT]	Super Short Cone with Solite Lens with 75° cut-off [DSS]	Very Wide Flood [VWFL]	0.87	0.88
Square Die-Cast Overlap [SDO]	Super Short Cone with Solite Lens with 75° cut-off [DSS]	Super Wide Flood [SWFL]	0.81	0.84
Square Die-Cast Trimless [SDT]	Super Short Cone with Solite Lens with 75° cut-off [DSS]	Very Wide Flood [VWFL]	0.80	0.82
Square Die-Cast Overlap [SDO]	Super Short Cone with Solite Lens with 75° cut-off [DSS]	Super Wide Flood [SWFL]	0.81	0.75

Color

Trim Type	Optic	Color	Multiplier
Square Die-Cast Trimless [SDT] and Square Die-Cast Overlap [SDO]	Downlight with 50° cut-off [DN]	Clear Diffuse [CD]	1.00
		Warm Diffuse [WD]	0.84
		White [WH]	1.11
		Black [BK]	0.65
	Super Short Cone with Solite Lens with 75° cut-off [DSS]	Clear Diffuse [CD]	1.00
		Warm Diffuse [WD]	1.01
		White [WH]	1.16
		Black [BK]	0.93
ALL	ALL	Woven Linen [WLN]	0.93
		Walnut [WLT]	0.45
		Gray Elm [GRE]	0.72
		Chestnut [CHT]	0.75
		Light Oak [LOK]	0.90

Multiplier charts are provided to aid with estimation of lumen levels across options. Apply multipliers against ordered Lumen Output to estimate Delivered Lumens. An estimation should make use of all tables through consecutive application of three multipliers. Refer to IES files for most accurate photometric information

How To Use Lumen Multipliers

Formula: (Lumen Output Value) x (Color Temperature & CRI) x (Distribution) x (Color)

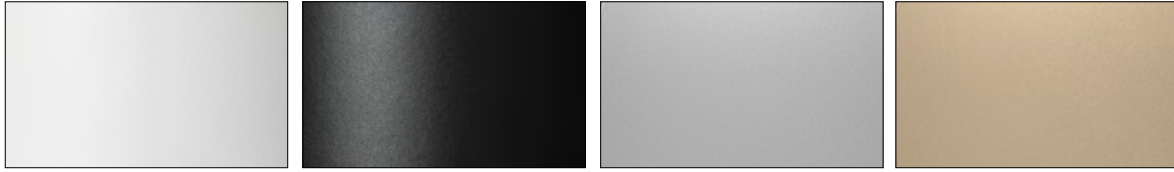
Example: LC44-SDO-2000L-935K-DN-NFL-WH

(2000) x (0.81) x (1.02) x (1.11) ≈ 1834 lm (estimated delivered lumens)

Finishes



STANDARD FINISHES



WHITE WH BLACK BK CLEAR DIFFUSE CD WARM DIFFUSE WD

THE NATURALS (25% SCALE)



LIGHT OAK LOK GRAY ELM GRE CHESTNUT CHT WALNUT WLT WOVEN LINEN WLN