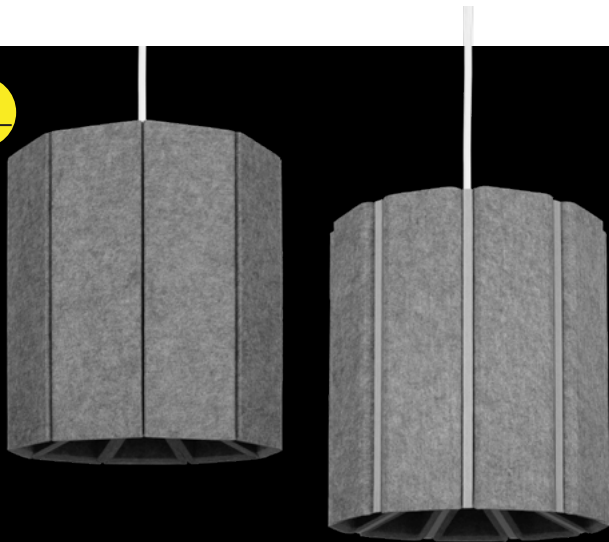


Zyl[®] 4

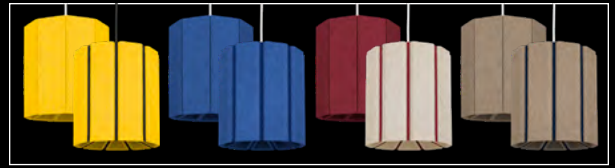
DECORATIVE LED PENDANT



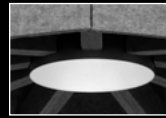
FOCAL POINT[®]



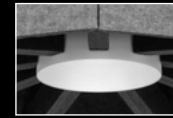
14" height shown



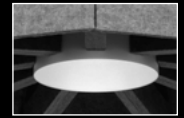
100's of customizable color combinations



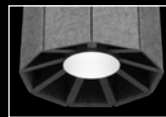
Black trim detail



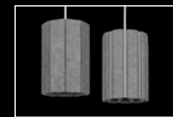
White trim detail



Palladium Silver trim detail



Solid shade detail from below

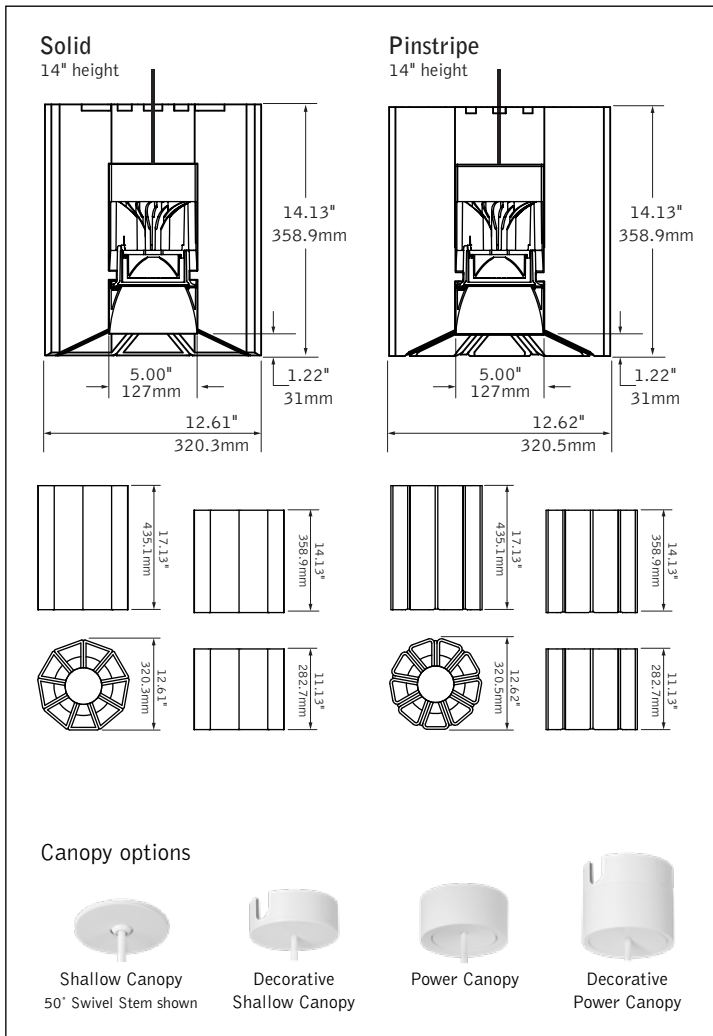


Zyl 3 companions



Cylinder companions

DIMENSIONAL DATA (continued on page 4)



FEATURES

Nominal 12.5" diameter decorative PET felt shaded pendant.

Available in three heights - 11", 14" and 17".

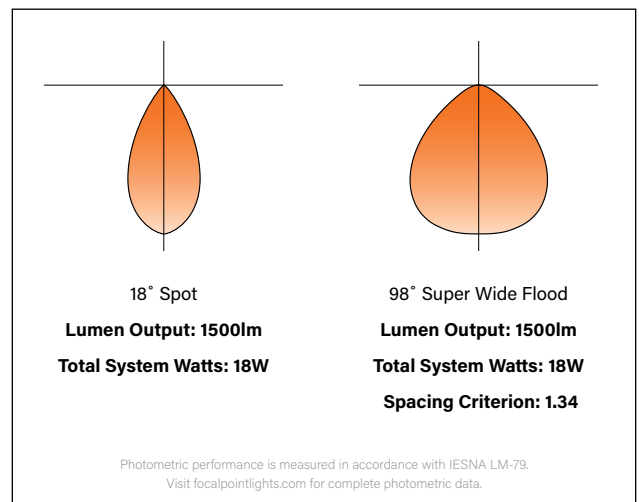
Wide range of color options provides design flexibility and personalization for any project.

Optional Pinstripe detail may be specified in any of the available colors.

50° cut-off available with Solite lens for brightness control and visual comfort.

50° and 80° cut-off available for optimal visual comfort.

PERFORMANCE



fixture:

project:

SPECIFICATIONS

Acoustic Material

Content	Housing material is 100% polyester containing up to 50% of recycled plastic bottles (PET felt) with an ASTM E-84 Class A / CAN ULC S102 fire rating and is moisture resistant. See page 3 for color offering. Acoustic material colors are subject to change without notice. For the most current color options, please visit focalpointlights.com/acousticsolutions. Lead times may vary depending on color.
Cleaning and Care	Remove dust and debris with a clean, soft, lint-free cloth or vacuum
PET Thickness	9mm
NRC	0.9

LED System

Proprietary LED module with single light emitting source. May be specified in 2700K, 3000K, 3500K or 4000K in CRI>80 or CRI>90. Color accuracy within 2 SDCM. Aluminum heat sink provides appropriate thermal management.

Light Engine Construction

Upper housing is extruded aluminum. Lower reflector is die-cast aluminum. Twist & lock construction leaves no visible fasteners within the knife edge trim. Fixture will not exceed 8.67 lbs.

Optics

Beam spreads achieved with optics that may be easily changed in field.

Lumen Output	Cut-Off Degree	Distribution Beam Spread Spacing Criteria					
		SP	NFL	FL	WFL	VWFL	SWFL
1000 - 1500	50°	18° 0.33	27° 0.48	35° 0.59	54° 0.83	69° 1.02	—
	80°	—	—	—	—	—	98° 1.34
2000 - 3000	50°	—	26° 0.44	41° 0.67	56° 0.83	69° 1.08	—
	80°	—	—	—	—	—	98° 1.34

Electrical

Choice of constant current dimming drivers. Power factor > .9 typical. L11 & LFP with Shallow Canopy, Integral Driver not Right Light as standard, consult factory.

Emergency

Emergency output — 7W for 90 minutes. Maximum mounting height: 16ft. J-box cannot be recessed above the ceiling with Emergency Battery.

Labels

UL and cUL listed. Suitable for Dry Locations, indoor use only.

Trim/Canopy/Stem Finish

Polyester powder coat applied over a multi-stage pre-treatment.

Cleaning and Care

Remove dust and debris with a clean, soft, lint-free cloth or vacuum.

Lumen Maintenance

Reported: L70 > 60,000 hours Calculated: L70 at > 204,000 hours
 L80 > 60,000 hours L80 at > 126,000 hours
(Derived from EPA TM-21 calculator. Based on typical conditions, consult factory for additional data.)

Reliability

At Focal Point, our products are designed to stand the test of time. Each luminaire is engineered using superior components, manufactured with the utmost care and rigorously tested. Contact us for reliability data.

Warranty

LED system rated for operation in ambient environments up to 25°C. 5-year limited warranty.

PERFORMANCE TABLE

Lumen Output	Delivered Lumens	System Watts	LPW
1000L	1033	11	91
1500L	1509	18	86
2000L	2074	24	88
2500L	2609	31	84
3000L	2906	34	84

3500K, 80CRI, Clear Diffuse, Flood distribution. Lumen output may vary +/- 5%. Actual wattage may vary +/- 5%.

Focal Point LLC reserves the right to change specifications for product improvement without notification.

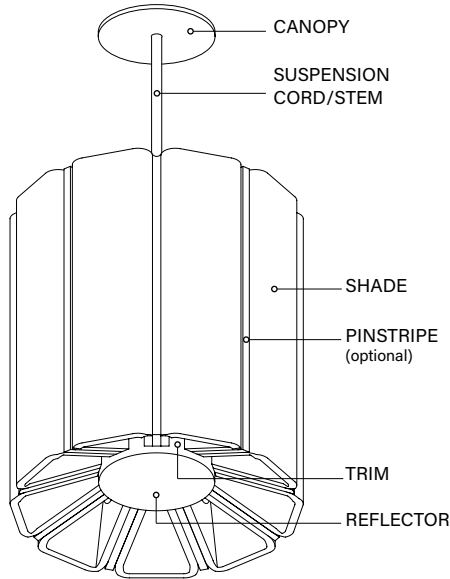
ORDERING

Luminaire Series	DZL4	DZL4
Zyl 4 Decorative LED Pendant	DZL4	
Nominal Height		
11"	11	
14"	14	
17"	17	
Shade Color	---	
<small>See page 3 for color offering</small>		
Pinstripe Color	---	
<small>See page 3 for color offering</small>		
No Pinstripe	NP	
Canopy Type		
Shallow Canopy, Integral Driver	SC	
Shallow Canopy with decorative J-box cover, Integral Driver	DSC	
<small>(L11 & LFP only)</small>		
Power Canopy	PC	
Power Canopy with decorative J-box cover	DPC	
Canopy Color		
Black	BK	
White	WH	
Palladium Silver	PS	
Suspension Type		
72" Cable, Straight Feed <small>(Cut in field)</small>	C72	
144" Cable, Straight Feed <small>(Cut in field)</small>	C144	
12", 50° Swivel Stem	B12	
18", 50° Swivel Stem	B18	
2'- 8' in 1' increments, 50° Swivel Stem <small>(Specify in inches, example: 8' stem = B96)</small>	B_	
12", Fixed Stem	S12	
18", Fixed Stem	S18	
2'- 8' in 1' increments, Fixed Stem <small>(Specify in inches, example: 8' stem = S96)</small>	S_	
Suspension Color		
Black	BK	
White	WH	
Gray <small>(Cable only)</small>	GRY	
Palladium Silver <small>(Stem only)</small>	PS	
Reflector Color		CD
Clear Diffuse	CD	
Trim Color		
Black	BK	
White	WH	
Palladium Silver	PS	
Lumen Output		
1000 Lumens	1000L	
1500 Lumens	1500L	
2000 Lumens	2000L	
2500 Lumens	2500L	
3000 Lumens <small>(PC & DPC only)</small>	3000L	
Color Temperature		
2700K, 80+ CRI or 90+ CRI	27K or 927K	
3000K, 80+ CRI or 90+ CRI	30K or 930K	
3500K, 80+ CRI or 90+ CRI	35K or 935K	
4000K, 80+ CRI or 90+ CRI	40K or 940K	
Circuit		1C
Single Circuit	1C	
Voltage		
120/277 UNV	UNV	
120 Volt	120	
277 Volt	277	
Control System & Dimming Level		
0-10V - 0% Dimming	LZ1	
0-10V - 1% Dimming	L11	
Phase Dimming <small>(SC only, 120V only, Consult factory for recommended dimmers.)</small>	LFP	
Lutron Hi-Lume EcoSystem (LDE1) - 1% Dimming	LH1	
DALI - 0% Dimming	DZ1	
DALI - 1% Dimming	D11	
Optic		
50° Cut-off Cone <small>(Not available with SWFL distribution)</small>	DNT	
50° Cut-off Cone with Solite Lens <small>(NFL distribution only)</small>	DNTS	
80° Cut-off Cone <small>(SWFL distribution only)</small>	DSS	
Distribution		
Spot <small>(1000L & 1500L only)</small>	SP	
Narrow Flood	NFL	
Flood	FL	
Wide Flood	WFL	
Very Wide Flood	VWFL	
Super Wide Flood	SWFL	
Factory Options		
Emergency Battery	EMR	
<small>(J-box cannot be recessed above the ceiling. Remote test switch.)</small>		

Decorative Finishes



Finish Diagram



Canopy/Stem/Trim Paint Finishes

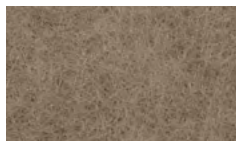
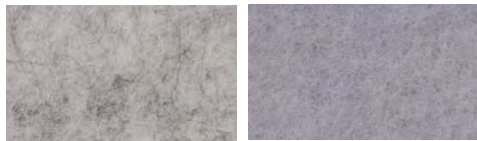
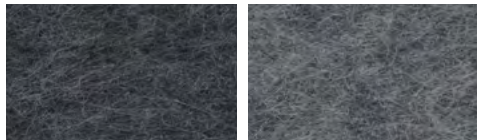
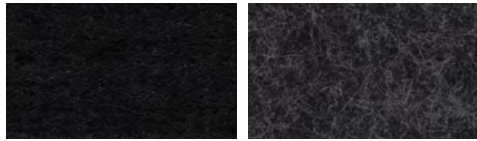


Cord Colors

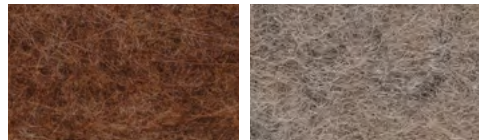
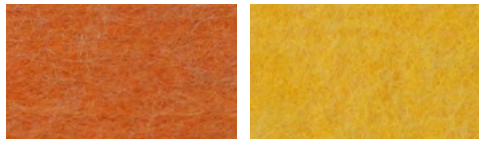
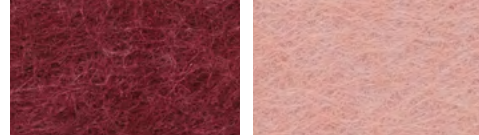
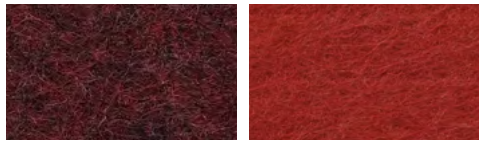
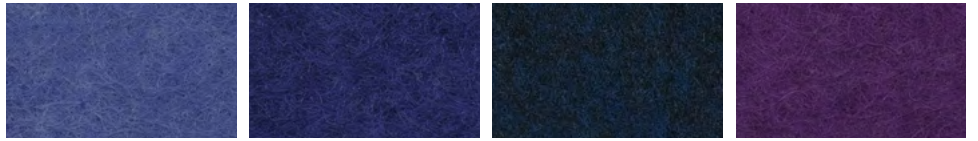


PET Material

STANDARD COLORS



PREMIUM COLORS*

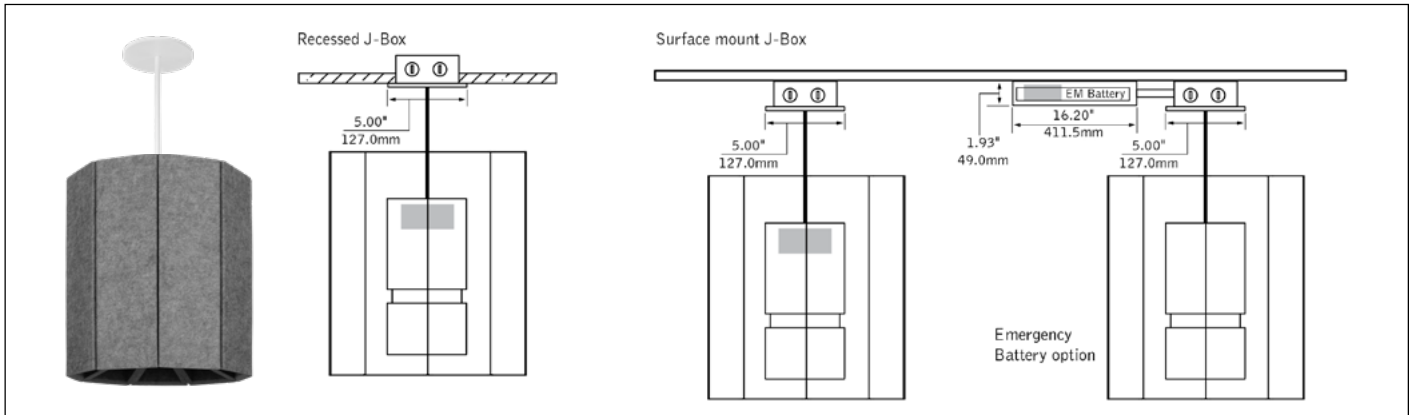


*Contact factory for lead time and pricing.

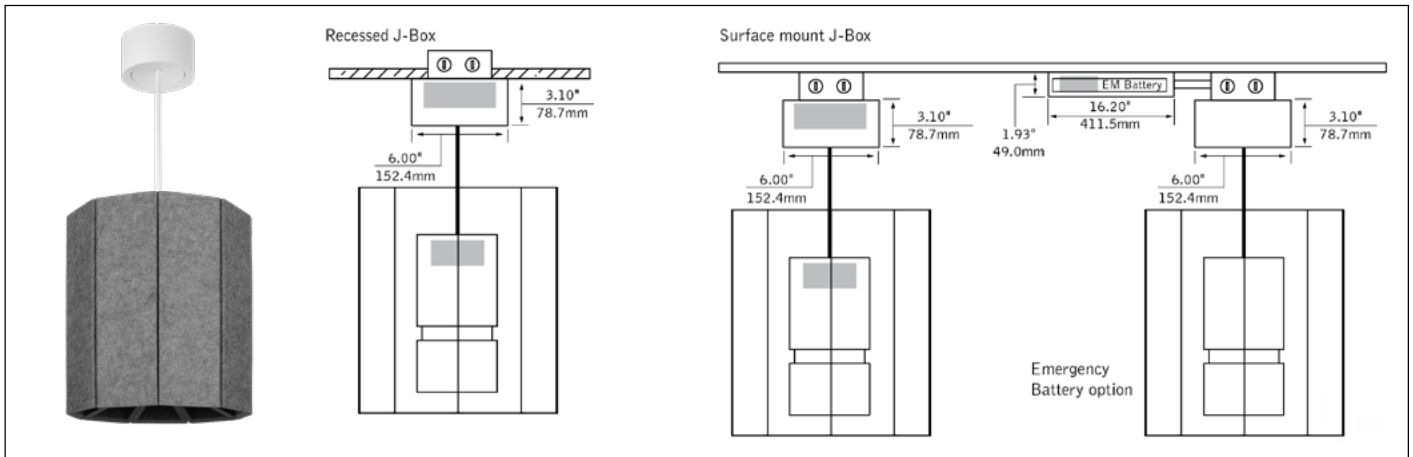
DIMENSIONAL DATA CONTINUED

SC - Shallow Canopy (Integral driver)

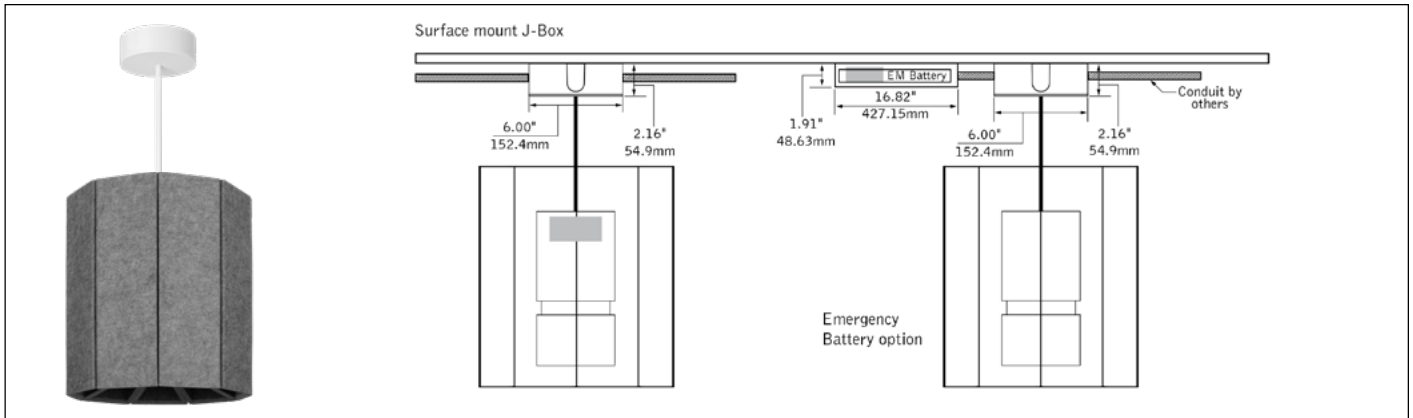
■ Indicates Driver Location



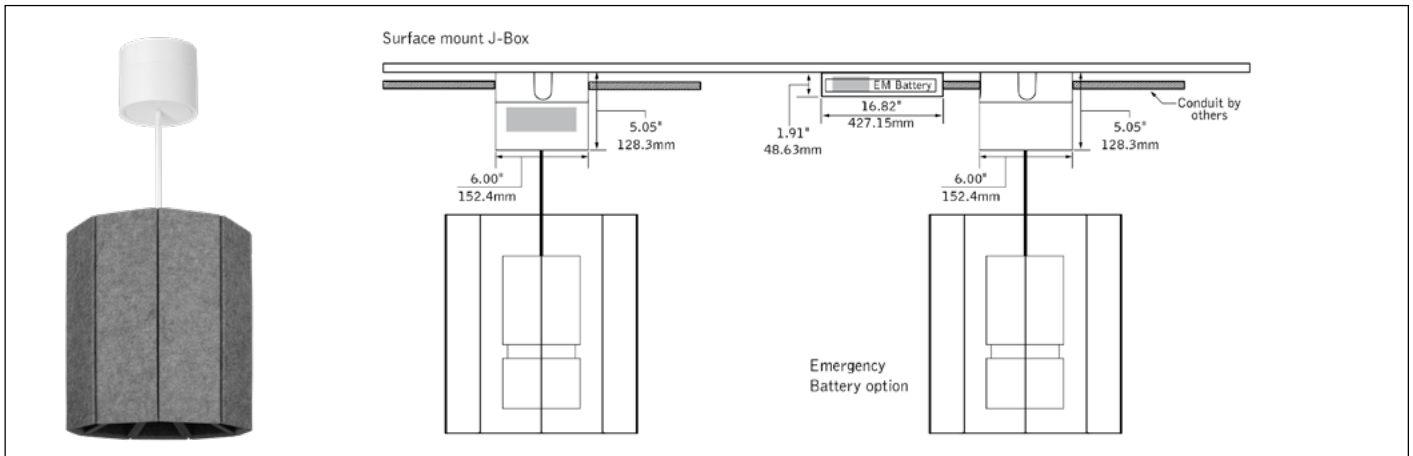
PC - Power Canopy



DSC - Shallow Canopy with decorative J-box cover, Integral Driver

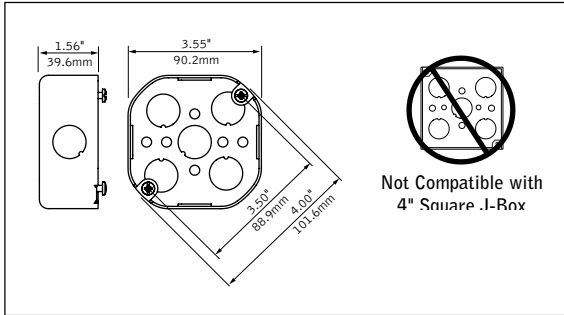


DPC - Power Canopy with decorative J-box cover



DIMENSIONAL DATA CONTINUED

4" Octagonal J-box required (By others)



LUMEN MULTIPLIER TABLE

Color Temperature & CRI

Trim Type	Optic	Color Temperature	Multiplier
Round [RD]	ALL	2700K, 80+ CRI [27K]	0.93
		2700K, 90+ CRI [927K]	0.78
		3000K, 80+ CRI [30K]	0.97
		3000K, 90+ CRI [930K]	0.81
		3500K, 80+ CRI [35K]	1.00
		3500K, 90+ CRI [935K]	0.83
		4000K, 80+ CRI [40K]	1.01
		4000K, 90+ CRI [940K]	0.86

Optic & Distribution (1000L - 1500L)

Trim Type	Optic	Distribution	Multiplier
Round [RD]	Tall Cone, 50° cut-off [DNT]	Spot (18°) [SPL]	1.00
		Narrow Flood (27°) [NFL]	0.97
		Flood (35°) [FL]	0.93
		Wide Flood (54°) [WFL]	1.00
		Very Wide Flood (69°) [VWFL]	0.93
	Tall Cone, 50° cut-off with Solite Lens [DNTS]	Narrow Flood (27°) [NFL]	1.00
	Super Short Cone, 80° cut-off [DSS]	Super Wide Flood (98°) [SWFL]	0.85

Optic & Distribution (2000L - 3000L)

Trim Type	Optic	Distribution	Multiplier
Round [RD]	Tall Cone, 50° cut-off [DNT]	Narrow Flood (26°) [NFL]	0.98
		Flood (41°) [FL]	0.92
		Wide Flood (56°) [WFL]	1.00
		Very Wide Flood (69°) [VWFL]	0.89
	Tall Cone, 50° cut-off with Solite Lens [DNTS]	Narrow Flood (26°) [NFL]	1.11
	Super Short Cone, 80° cut-off [DSS]	Super Wide Flood (98°) [SWFL]	0.83

Multiplier tables are provided to aid with estimation of lumen levels across options. Apply multipliers against ordered Lumen Output to estimate Delivered Lumens. Refer to IES files for most accurate photometric information.

How To Use Lumen Multipliers

Formula: (Lumen Output Value) x (Color Temperature & CRI) x (Optic & Distribution)

Example: DZL4-XX-XX-XX-XX-XX-XX-XX-CD-XX-1000L-935K-1C-UNV-XX-DNT-FL
 (1000) x (0.83) x (0.93) ≈ 726 lm (estimated delivered lumens)