

# Zyl® 3

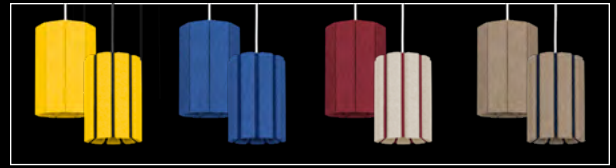
DECORATIVE LED PENDANT



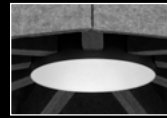
FOCAL POINT®



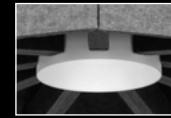
12" height shown



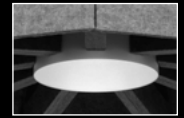
100's of customizable color combinations



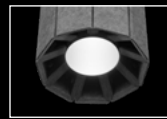
Black trim detail



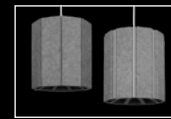
White trim detail



Palladium Silver trim detail



Solid shade detail from below

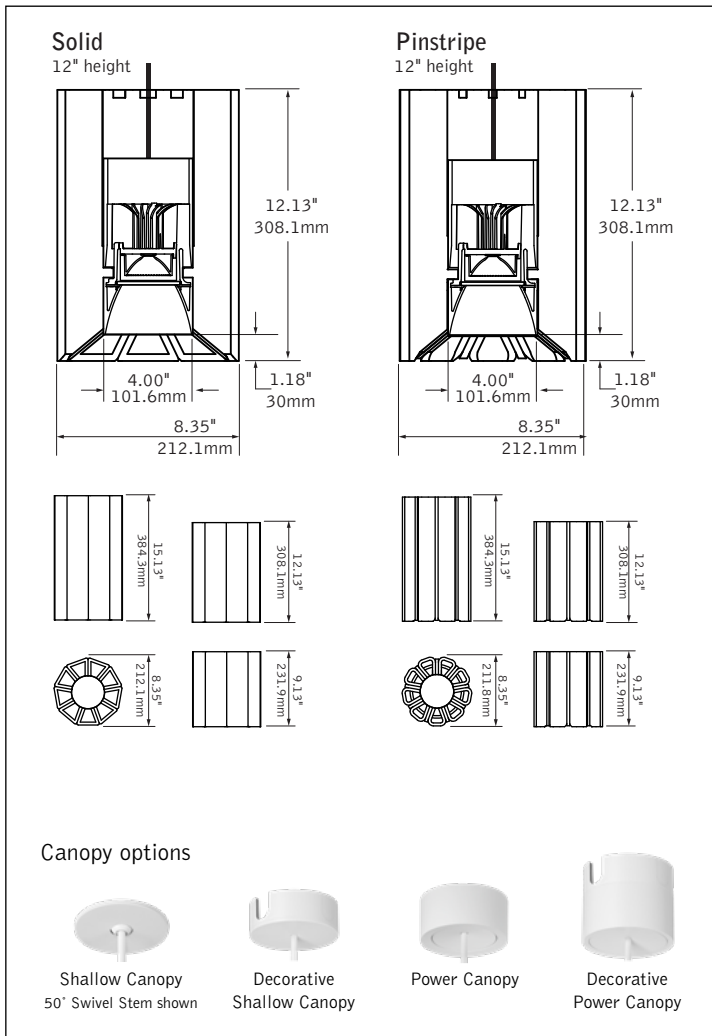


Zyl 4 companions



Cylinder companions

## DIMENSIONAL DATA (continued on page 4)



## FEATURES

Nominal 8" diameter decorative PET felt shaded pendant.

Available in three heights - 9", 12" and 15".

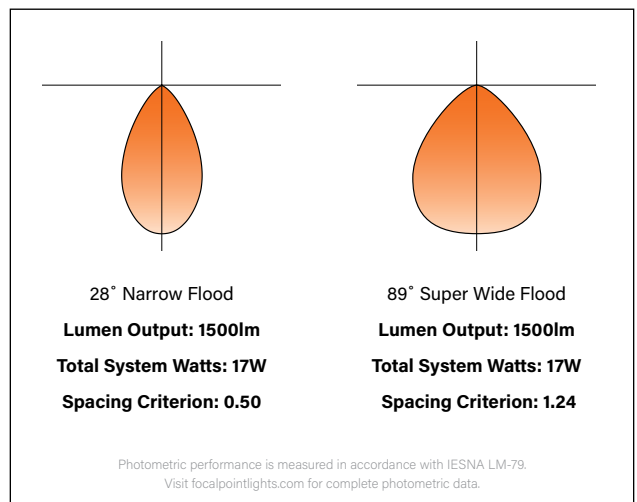
Wide range of color options provides design flexibility and personalization for any project.

Optional Pinstripe detail may be specified in any of the available colors.

50° cut-off available with Solite lens for brightness control and visual comfort.

50° and 80° cut-off available for optimal visual comfort.

## PERFORMANCE



fixture:

project:

### SPECIFICATIONS

#### Acoustic Material

<b>Content</b>	Housing material is 100% polyester containing up to 50% of recycled plastic bottles (PET felt) with an ASTM E-84 Class A / CAN ULC S102 fire rating and is moisture resistant.  See page 3 for color offering. Acoustic material colors are subject to change without notice. For the most current color options, please visit focalpointlights.com/acousticsolutions. Lead times may vary depending on color.
<b>Cleaning and Care</b>	Remove dust and debris with a clean, soft, lint-free cloth or vacuum
<b>PET Thickness</b>	9mm
<b>NRC</b>	0.9

#### LED System

Proprietary LED module with single light emitting source. May be specified in 2700K, 3000K, 3500K or 4000K in CRI>80 or CRI>90. Color accuracy within 2 SDCM. Aluminum heat sink provides appropriate thermal management.

#### Light Engine Construction

Upper housing is extruded aluminum. Lower reflector is die-cast aluminum. Twist & lock construction leaves no visible fasteners within the knife edge trim. Fixture will not exceed 5.07 lbs.

#### Optics

Beam spreads achieved with optics that may be easily changed in field.

Cut-off degree	Distribution Beam Spread   Spacing Criteria				
	NFL	FL1	FL2	WFL	SWFL
50°	28°   0.50	34°   0.59	45°   0.75	57°   0.80	—
80°	—	—	—	—	89°   1.24

#### Electrical

Choice of constant current dimming drivers. Power factor > .9 typical. L11 & LFP with Shallow Canopy, Integral Driver not Right Light as standard, consult factory.

#### Emergency

Emergency output —7W for 90 minutes. Maximum mounting height: 16.98 ft. J-box cannot be recessed above the ceiling with Emergency Battery.

#### Labels

UL and cUL listed. Suitable for Dry Locations, indoor use only.

#### Trim/Canopy/Stem Finish

Polyester powder coat applied over a multi-stage pre-treatment.

#### Cleaning and Care

Remove dust and debris with a clean, soft, lint-free cloth or vacuum.

#### Lumen Maintenance

Reported: L70 > 54,000 hours  
L90 > 54,000 hours  
Calculated: L70 at > 420,000 hours  
L90 at > 109,000 hours

(Derived from EPA TM-21 calculator. Based on typical conditions, consult factory for additional data.)

#### Reliability

At Focal Point, our products are designed to stand the test of time. Each luminaire is engineered using superior components, manufactured with the utmost care and rigorously tested. Contact us for reliability data.

#### Warranty

LED system rated for operation in ambient environments up to 25°C. 5-year limited warranty.

### PERFORMANCE TABLE

Lumen Output	Delivered Lumens	System Watts	LPW
700L	736	8	96
1000L	1082	12	94
1500L	1582	17	92
1700L	1743	19	91
2000L	2057	24	86

3500K, 80CRI, Clear Diffuse, Narrow Flood Distribution. Lumen output may vary +/- 5%. Actual wattage may vary +/- 5%.

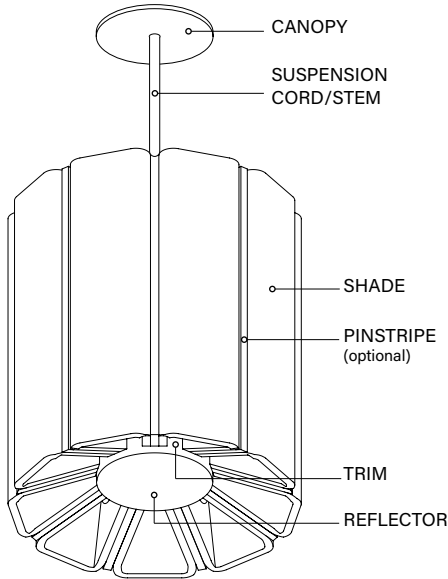
### ORDERING

<b>Luminaire Series</b>	Zyl 3 Decorative LED Pendant	DZL3	<b>DZL3</b>
<b>Nominal Height</b>	9" 12" 15"	9 12 15	
<b>Shade Color</b>	See page 3 for color offering	---	
<b>Pinstripe Color</b>	See page 3 for color offering	---	
<b>No Pinstripe</b>		NP	
<b>Canopy Type</b>	Shallow Canopy, Integral Driver	SC	
<b>Shallow Canopy with decorative J-box cover, Integral Driver</b>	<small>*(L11 &amp; LFP only)</small>	DSC	
<b>Power Canopy</b>		PC	
<b>Power Canopy with decorative J-box cover</b>		DPC	
<b>Canopy Color</b>	Black White Palladium Silver	BK WH PS	
<b>Suspension Type</b>	72" Cable, Straight Feed <small>(Cut in field)</small> 144" Cable, Straight Feed <small>(Cut in field)</small> 12", 50° Swivel Stem 18", 50° Swivel Stem 2'- 8' in 1' increments, 50° Swivel Stem <small>(Specify in inches, example: 8' stem = B96)</small> 12", Fixed Stem 18", Fixed Stem 2'- 8' in 1' increments, Fixed Stem <small>(Specify in inches, example: 8' stem = S96)</small>	C72 C144 B12 B18 B_ S12 S18 S_	
<b>Suspension Color</b>	Black White Gray <small>(Cable only)</small> Palladium Silver <small>(Stem only)</small>	BK WH GRY PS	
<b>Reflector Color</b>	Clear Diffuse	CD	<b>CD</b>
<b>Trim Color</b>	Black White Palladium Silver	BK WH PS	
<b>Lumen Output</b>	700 Lumens 1000 Lumens 1500 Lumens 1700 Lumens <small>(PC &amp; DPC only)</small> 2000 Lumens <small>(PC &amp; DPC only)</small>	700L 1000L 1500L 1700L 2000L	
<b>Color Temperature</b>	2700K, 80+ CRI or 90+ CRI 3000K, 80+ CRI or 90+ CRI 3500K, 80+ CRI or 90+ CRI 4000K, 80+ CRI or 90+ CRI	27K or 927K 30K or 930K 35K or 935K 40K or 940K	
<b>Circuit</b>	Single Circuit	1C	<b>1C</b>
<b>Voltage</b>	120/277 UNV 120 Volt 277 Volt	UNV 120 277	
<b>Control System &amp; Dimming Level</b>	0-10V - 0% Dimming 0-10V - 1% Dimming Phase Dimming <small>(SC only, 120V only)</small> <small>Consult factory for recommended dimmers.)</small> Lutron Hi-Lume EcoSystem (LDE1) - 1% Dimming DALI - 0% Dimming DALI - 1% Dimming	LZ1 L11 LFP LH1 DZ1 D11	
<b>Optic</b>	50° Cut-off Cone <small>(Not available with SWFL distribution)</small> 50° Cut-off Cone with Solite Lens <small>(NFL distribution only)</small> 80° Cut-off Cone <small>(SWFL distribution only)</small>	DNT DNTS DSS	
<b>Distribution</b>	Narrow Flood Flood 1 Flood 2 Wide Flood Super Wide Flood	NFL FL1 FL2 WFL SWFL	
<b>Factory Options</b>	Emergency Battery	EMR	

(J-box cannot be recessed above the ceiling. Remote test switch.)

# Decorative Finishes

## Finish Diagram



## Canopy/Stem/Trim Paint Finishes

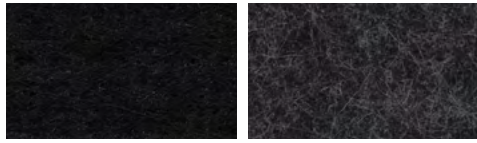


## Cord Colors

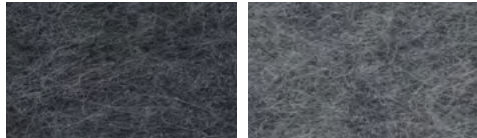


## PET Material

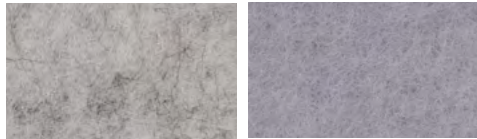
### STANDARD COLORS



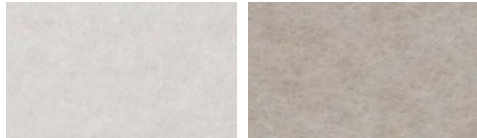
PURE BLACK PBK CHARCOAL GRAY CHG



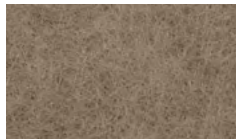
SLATE SLT SHADOW GRAY SDG



SILVER GRAY SLG PEARL ICE PIC

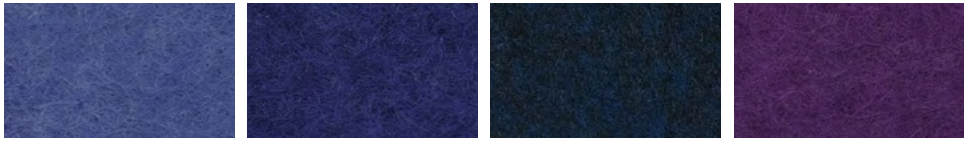


CLASSIC WHITE CWH NATURAL LINEN NTL



HAZELWOOD HZW

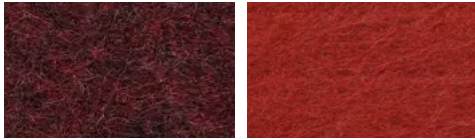
### PREMIUM COLORS\*



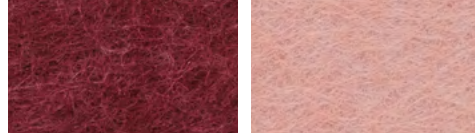
CORNFLOWER BLUE CFB DENIM BLUE DNB MIDNIGHT BLUE MNB DEEP PURPLE DPP



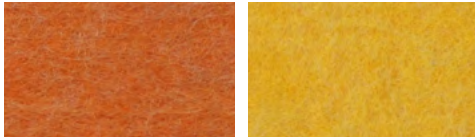
DEEP WATER DWT SEAFOAM SFM EMERALD GREEN EMG



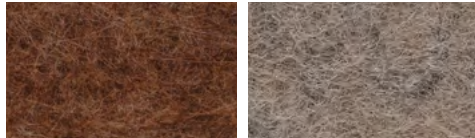
BRICK RED BRD CHERRY RED CHR



BERRY BRY BLUSH BLS



CARROT CRT PINEAPPLE PNA



CINNAMON CNM LIMESTONE LMS

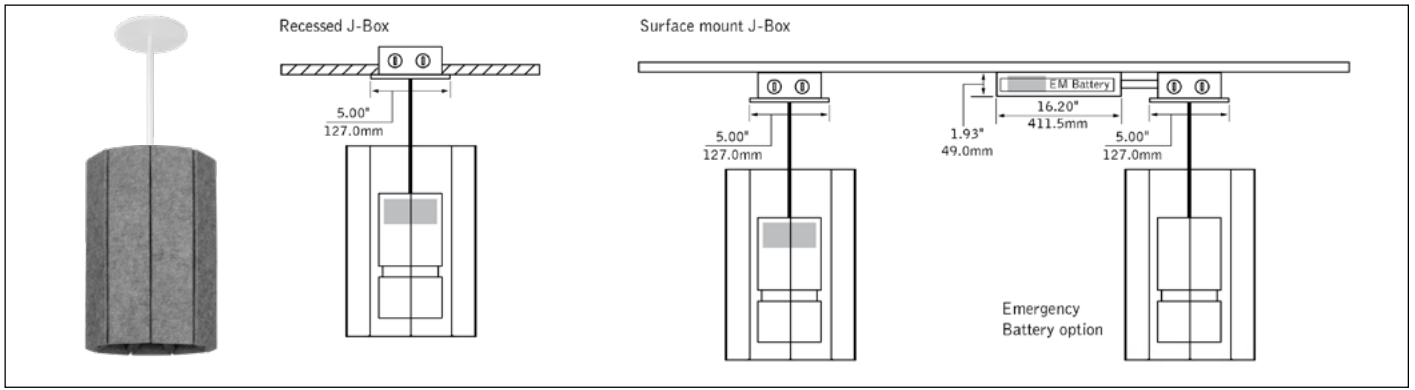


\*Contact factory for lead time and pricing.

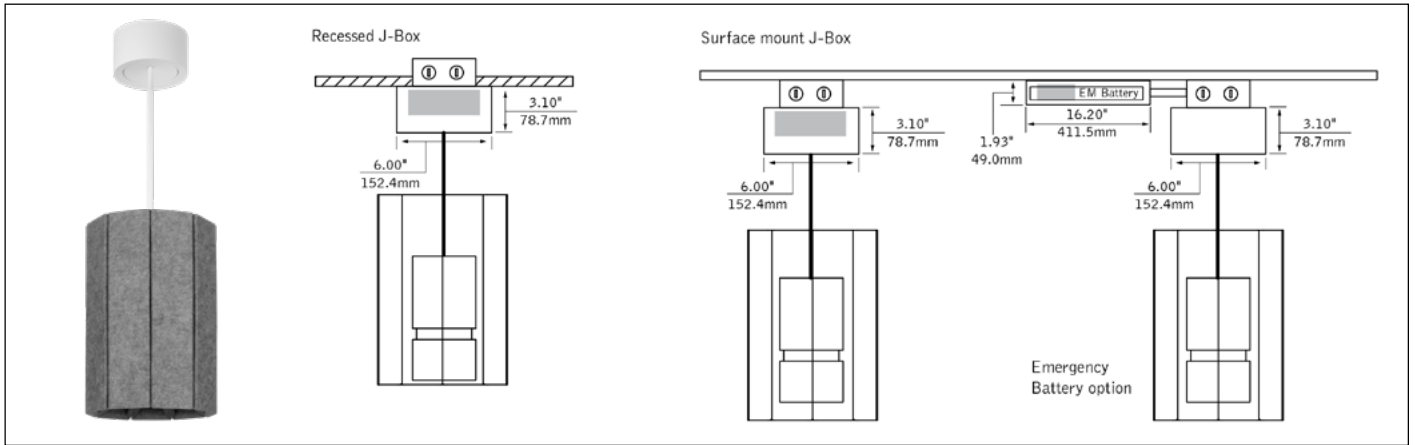
**DIMENSIONAL DATA CONTINUED**

**SC - Shallow Canopy (Integral driver)**

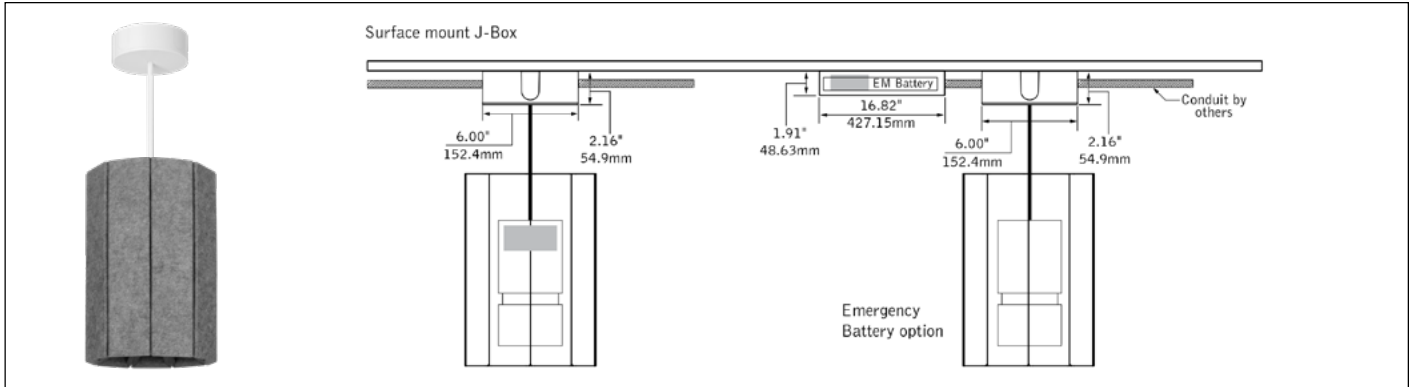
■ Indicates Driver Location



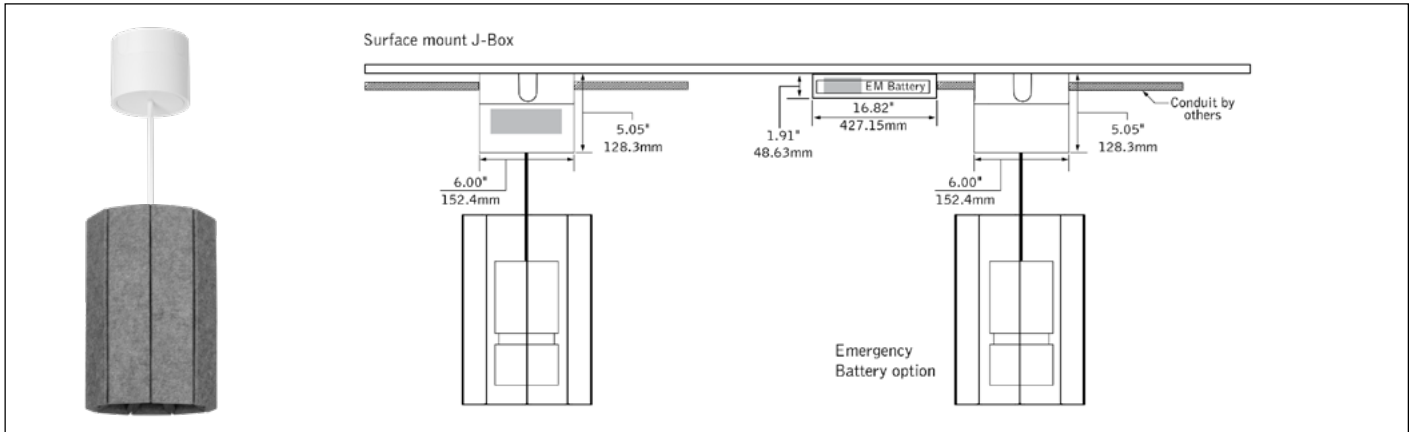
**PC - Power Canopy**



**DSC - Shallow Canopy with decorative J-box cover, Integral Driver**

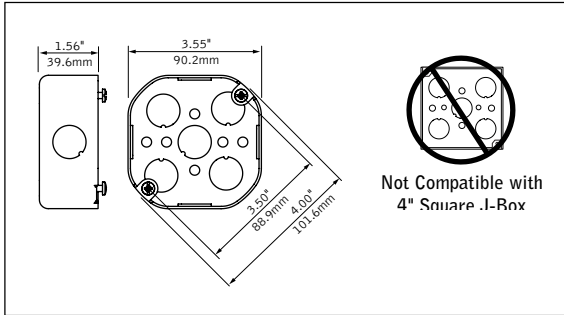


**DPC - Power Canopy with decorative J-box cover**



## DIMENSIONAL DATA CONTINUED

### 4" Octagonal J-box required (By others)



## LUMEN MULTIPLIER TABLE

### Color Temperature & CRI

Trim Type	Optic	Color Temperature	Multiplier
Round [RD]	ALL	2700K, 80+ CRI [27K]	0.93
		2700K, 90+ CRI [927K]	0.78
		3000K, 80+ CRI [30K]	0.97
		3000K, 90+ CRI [930K]	0.81
		3500K, 80+ CRI [35K]	1.00
		3500K, 90+ CRI [935K]	0.83
		4000K, 80+ CRI [40K]	1.01
		4000K, 90+ CRI [940K]	0.86

### Optic & Distribution

Trim Type	Optic	Distribution	Multiplier
Round [RD]	Tall Cone, 50° cut-off [DNT]	Narrow Flood (28°) [NFL]	1.00
		Flood 1 (34°) [FL1]	0.89
		Flood 2 (45°) [FL2]	0.75
		Wide Flood (57°) [WFL]	0.75
	Tall Cone, 50° cut-off with Solite Lens [DNLS]	Narrow Flood (28°) [NFL]	0.97
	Super Short Cone, 80° cut-off [DSS]	Super Wide Flood (89°) [SWFL]	0.74

Multiplier tables are provided to aid with estimation of lumen levels across options. Apply multipliers against ordered Lumen Output to estimate Delivered Lumens. Refer to IES files for most accurate photometric information.

### How To Use Lumen Multipliers

**Formula:** (Lumen Output Value) x (Color Temperature & CRI) x (Optic & Distribution)

**Example:** DZL3-XX-XX-XX-XX-XX-XX-XX-CD-XX-1000L-935K-1C-UNV-XX-DNT-FL1  
 (1000) x (0.83) x (0.87) ≈ 722 lm (estimated delivered lumens)