



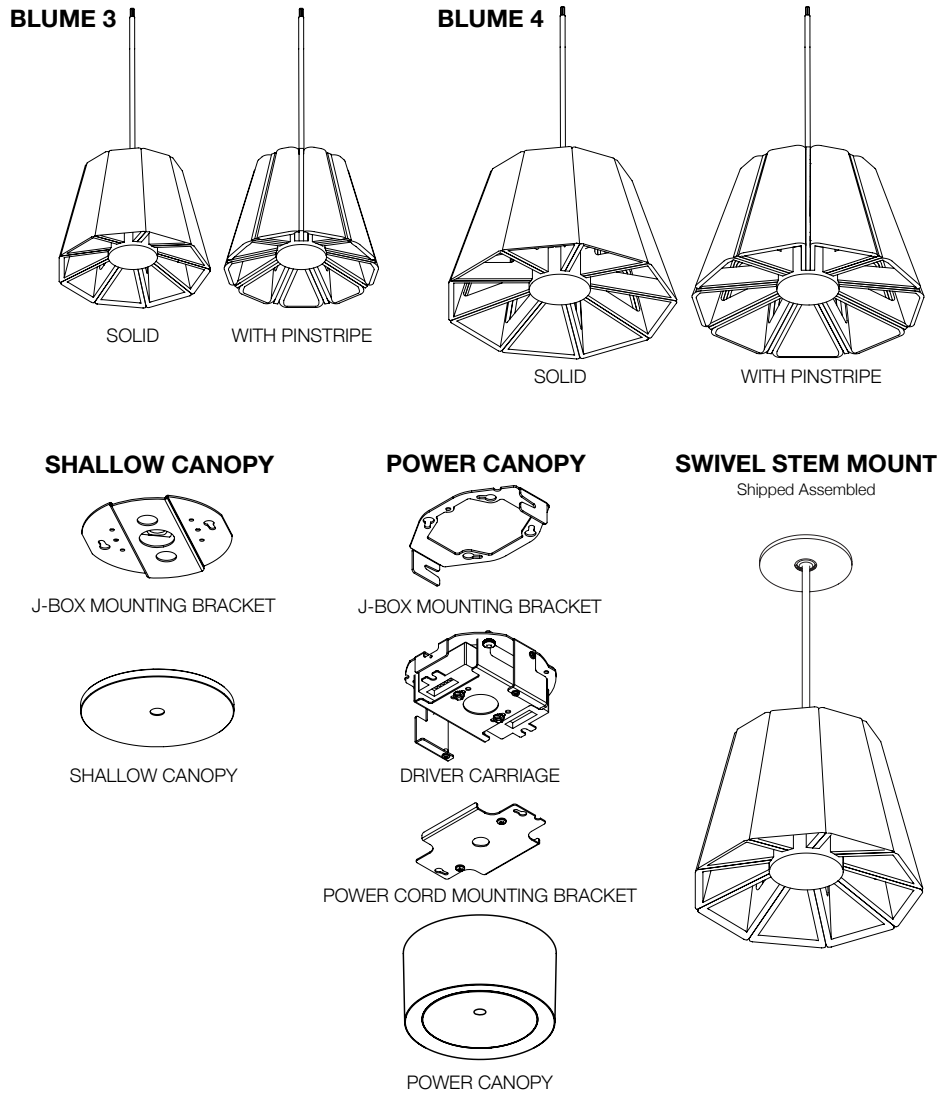
BEFORE YOU BEGIN

- Luminaires must be installed by a qualified electrician (check with local and national codes for proper installation).
- To prevent electrical shock, disconnect electrical supply before installation or servicing.
- Contractor is responsible for adequately reinforcing walls and/or ceilings to support fixture weight.
- Focal Point, LLC accepts no responsibility for inadequately reinforced walls and/or ceilings.
- The information contained in this drawing is the sole property of Focal Point, LLC. Any reproduction in part or whole without the written permission of Focal Point, LLC is prohibited.

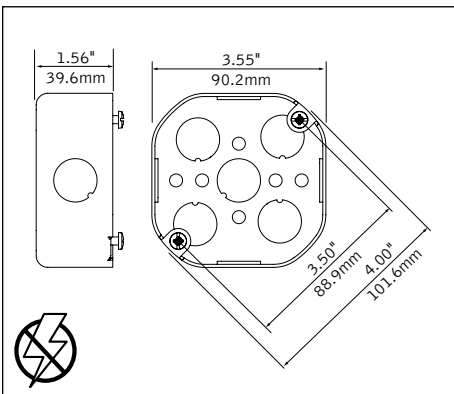
INSTRUCTION KEY

- ATTENTION
- SEE ADDITIONAL INSTRUCTIONS
- POWER OFF
- POWER ON

COMPONENT KEY



INSTALL 4" OCTAGONAL J-BOX (BY OTHERS)



EMERGENCY

PRIOR TO LUMINAIRE INSTALLATION, SEE **PAGE 6** FOR EMERGENCY INSTALLATION INSTRUCTIONS.

MOUNTING TYPE

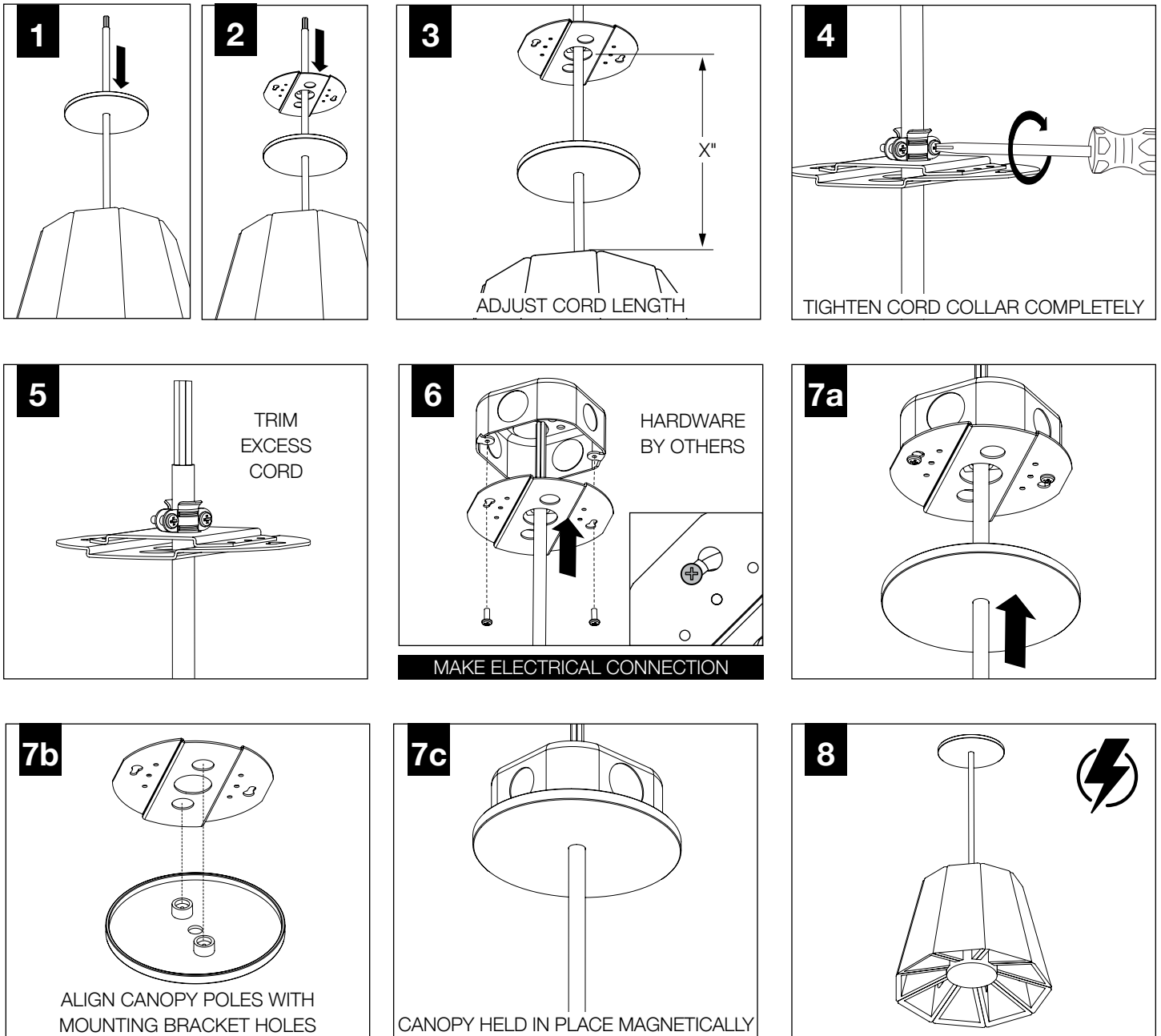
PROCEED TO LUMINAIRE INSTALLATION

SHALLOW CANOPY, PAGE 2

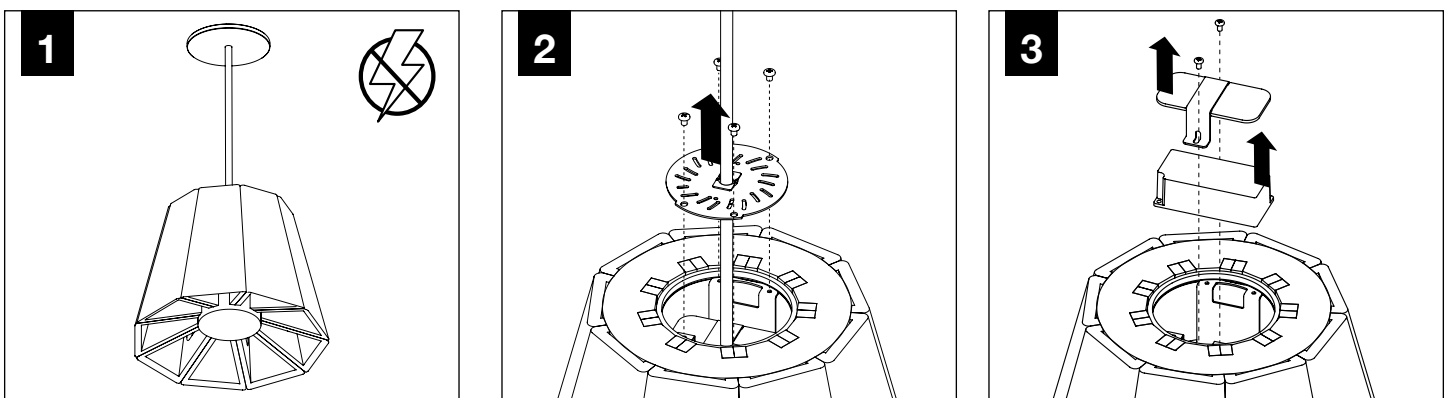
POWER CANOPY, PAGE 3

SWIVEL STEM, PAGE 4

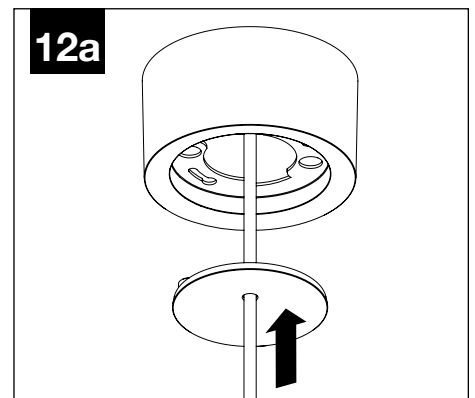
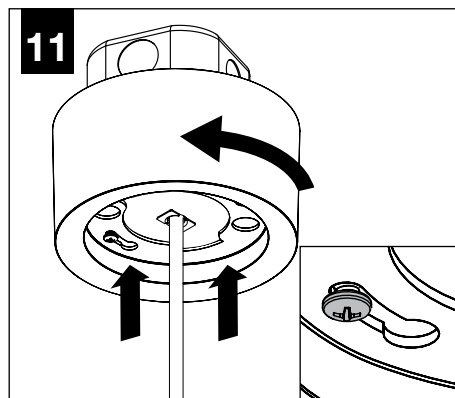
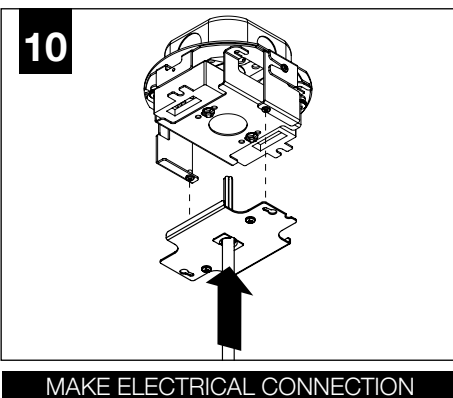
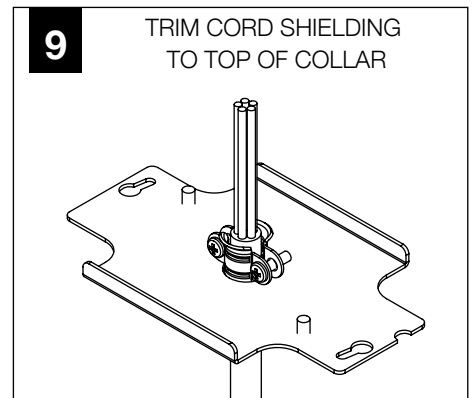
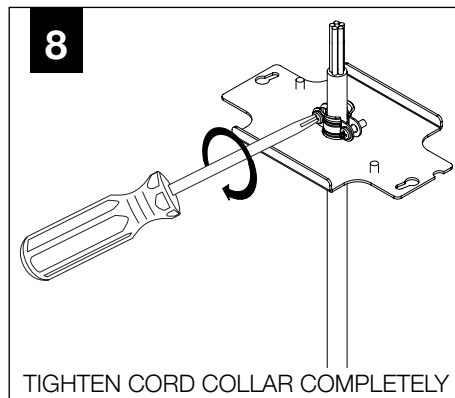
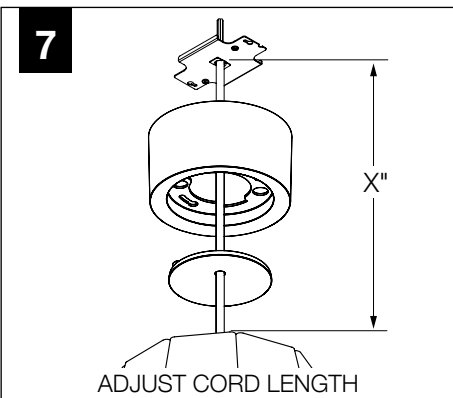
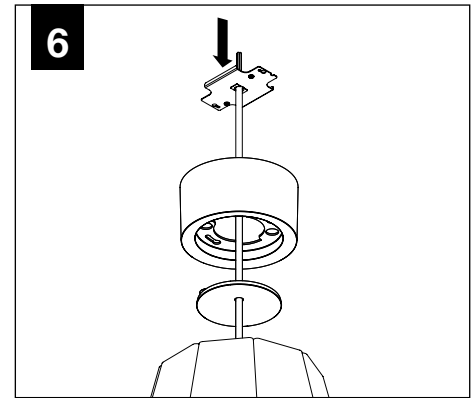
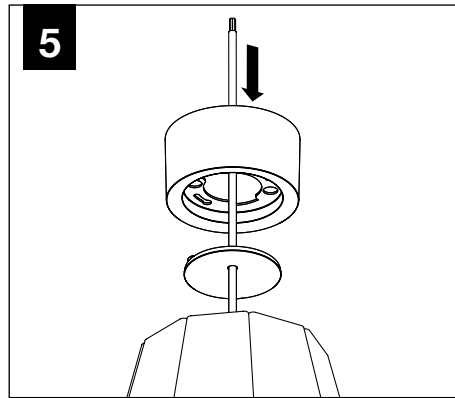
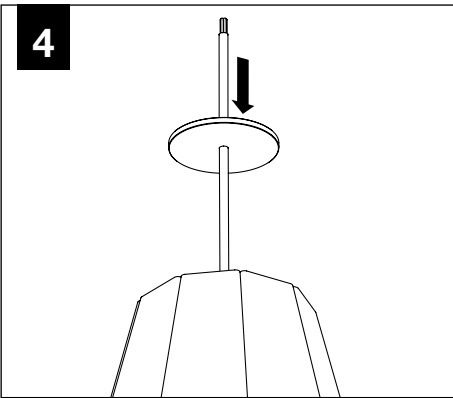
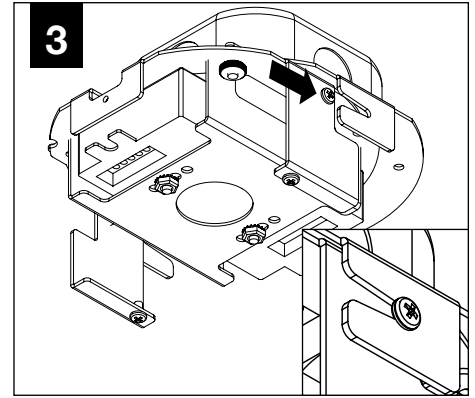
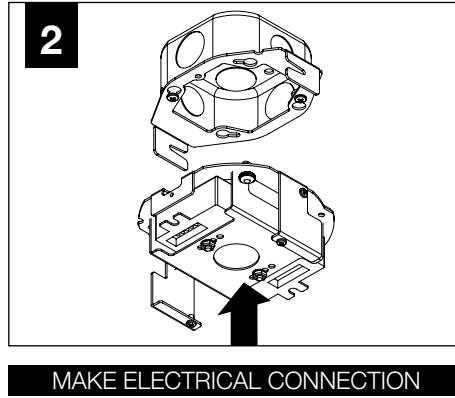
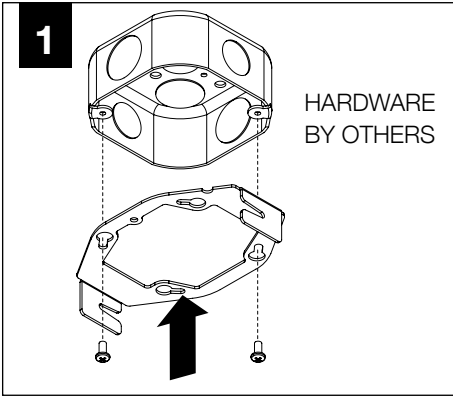
SHALLOW CANOPY INSTALLATION

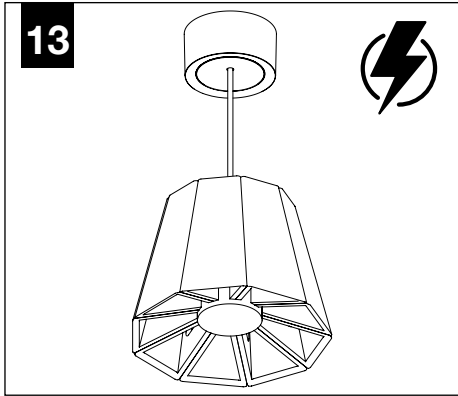
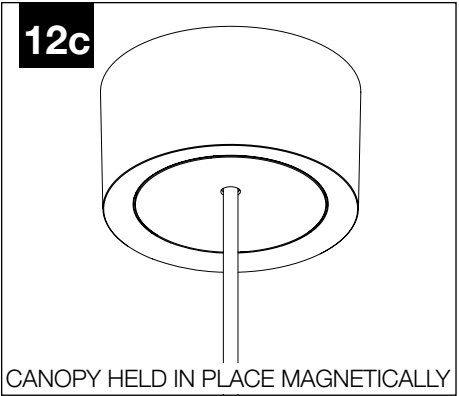
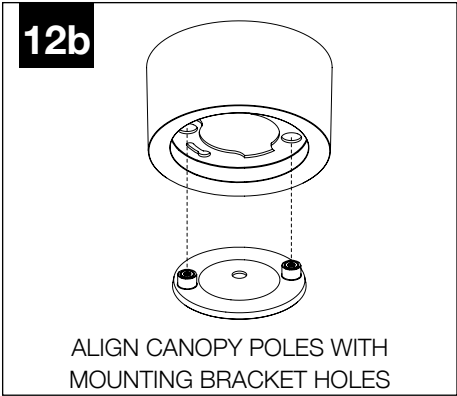


SHALLOW CANOPY DRIVER SERVICE

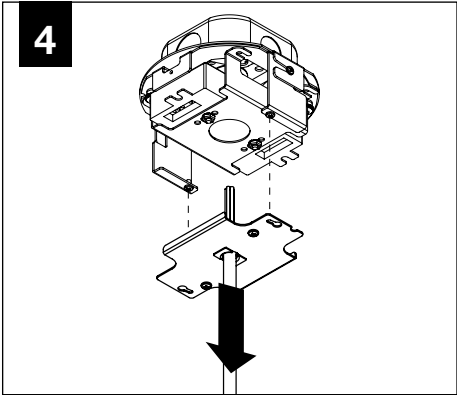
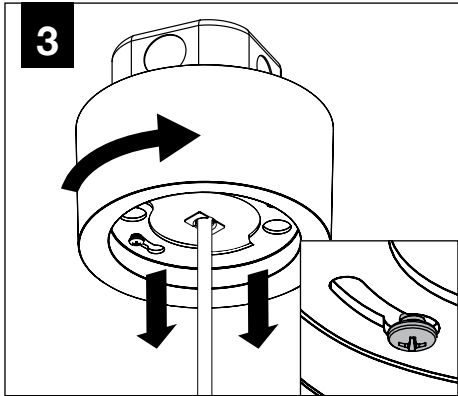
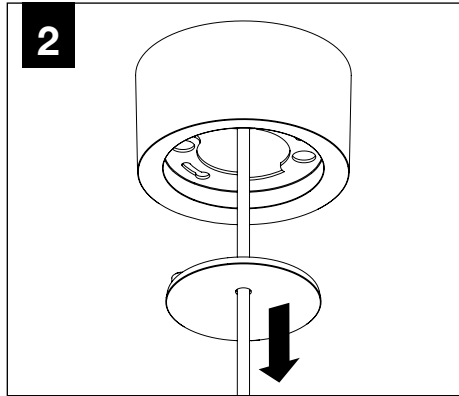
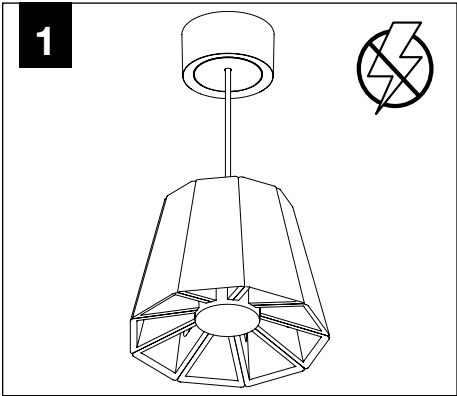


POWER CANOPY INSTALLATION

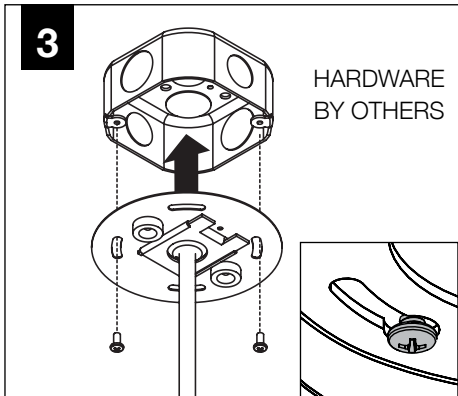
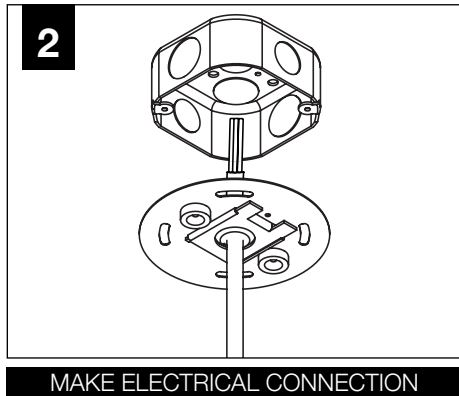
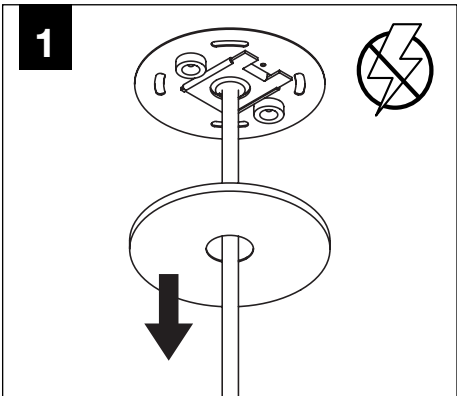


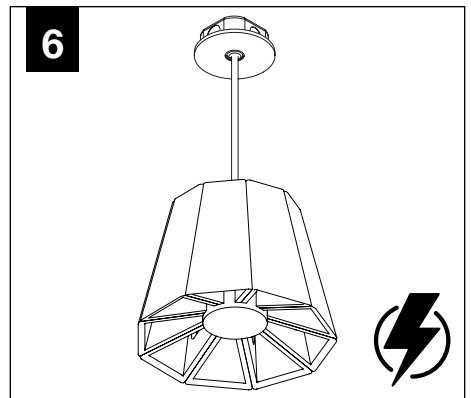
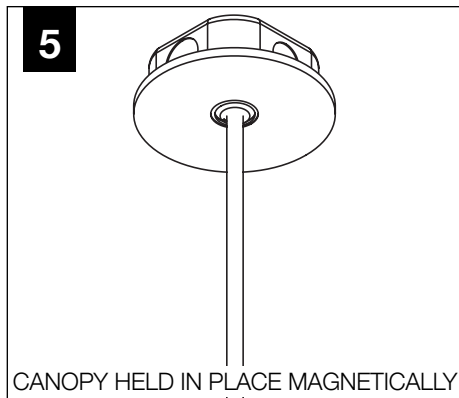
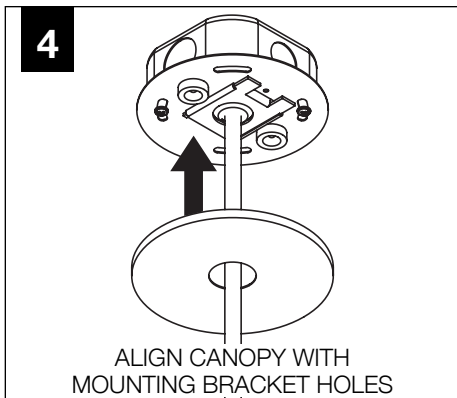


POWER CANOPY DRIVER SERVICE

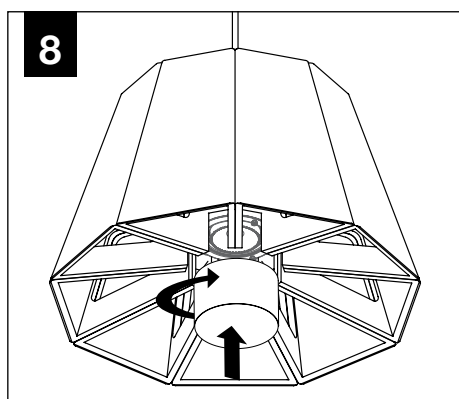
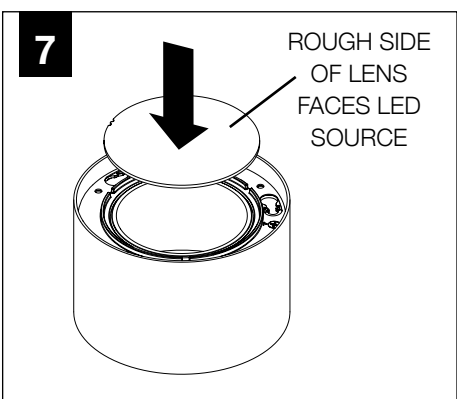
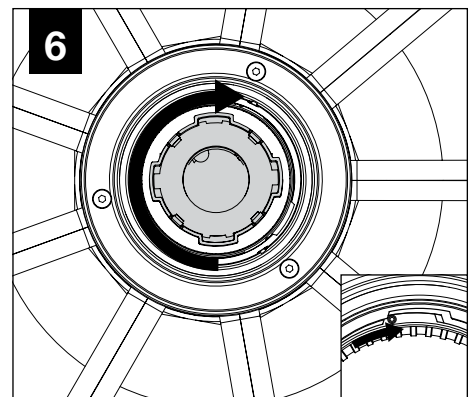
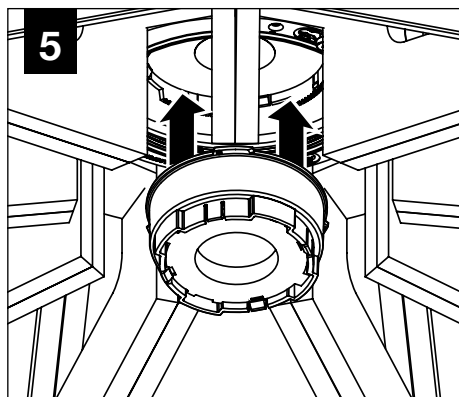
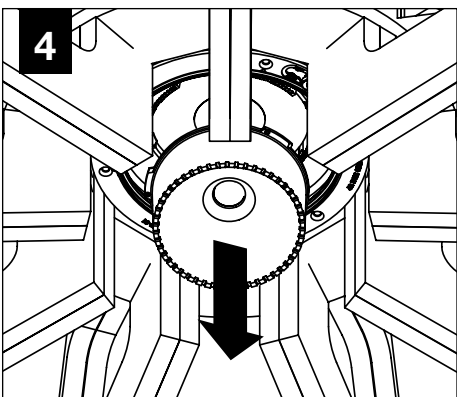
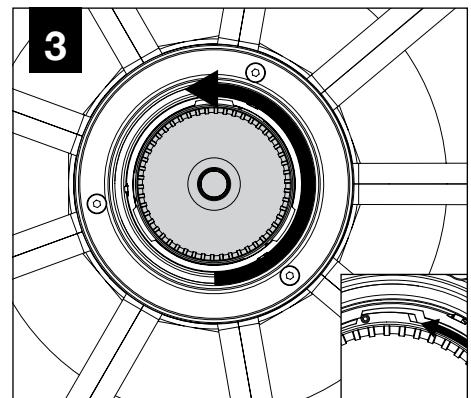
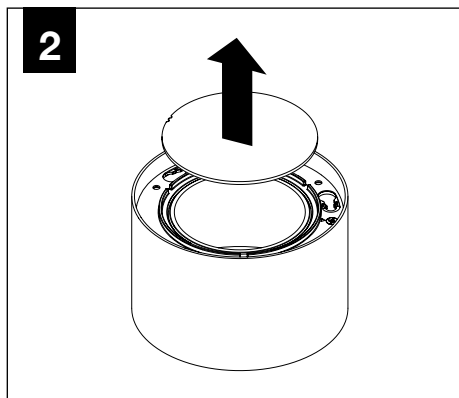
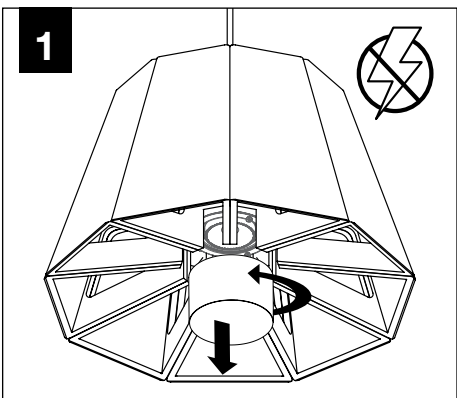


SWIVEL STEM INSTALLATION





OPTIC SERVICE



EMERGENCY



SEE BATTERY MANUFACTURER
INSTRUCTIONS

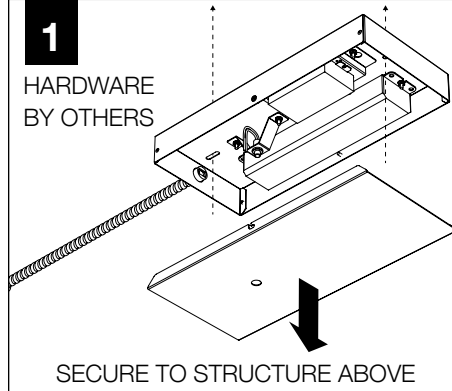
EMERGENCY MAXIMUM MOUNTING HEIGHT:

BLUME 3 - 16.98'

BLUME 4 - 16'

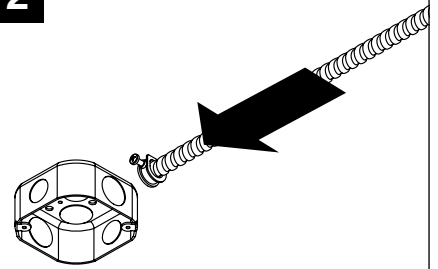
1

HARDWARE
BY OTHERS



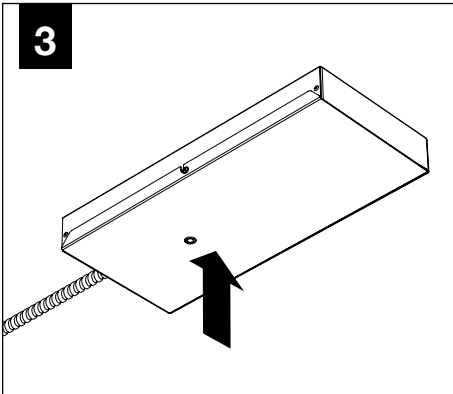
SECURE TO STRUCTURE ABOVE

2

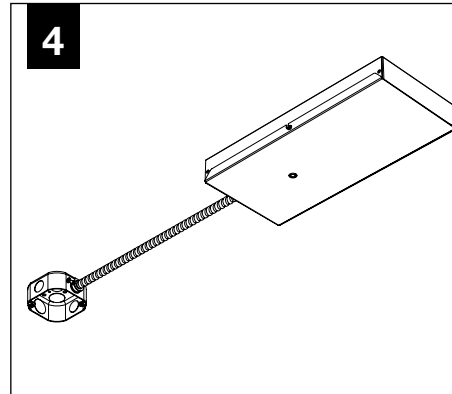


MAKE ELECTRICAL CONNECTION

3



4



PROCEED TO
LUMINAIRE INSTALLATION
SHALLOW CANOPY, PAGE 2
POWER CANOPY, PAGE 3
SWIVEL STEM, PAGE 4