

# Seem® 1 Acoustic Louver

ASM1CS | ASM1CBS | AUSM1S

AirCore® Technology | ID™ Technology



## BEFORE YOU BEGIN

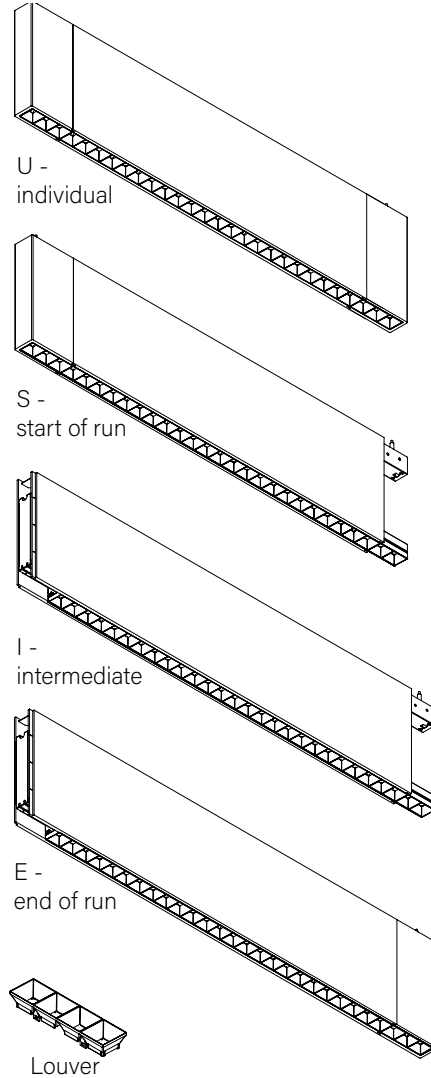
- Configurations are run specific, please consult factory drawings before beginning installation.
- Luminaires must be installed by a qualified electrician (check with local and national codes for proper installation).
- To prevent electrical shock, disconnect electrical supply before installation or servicing.
- Contractor is responsible for adequately reinforcing walls and/or ceilings to support fixture weight.
- Focal Point, LLC accepts no responsibility for inadequately reinforced walls and/or ceilings.
- The information contained in this drawing is the sole property of Focal Point, LLC. Any reproduction in part or whole without the written permission of Focal Point, LLC is prohibited.

## INSTRUCTION KEY

- ATTENTION
- SEE ADDITIONAL INSTRUCTIONS
- POWER OFF
- POWER ON

## COMPONENT KEY

### FOCAL POINT



### SHIPPED INSTALLED



### SHIPPED IN HARDWARE BAG



**INDIVIDUAL INSTALLATIONS FOLLOW STEPS 1, 2, 8, 12 & 13**

**#1 PHILLIPS DRIVER BIT NECESSARY FOR INSTALLATION OF JOINED RUNS**

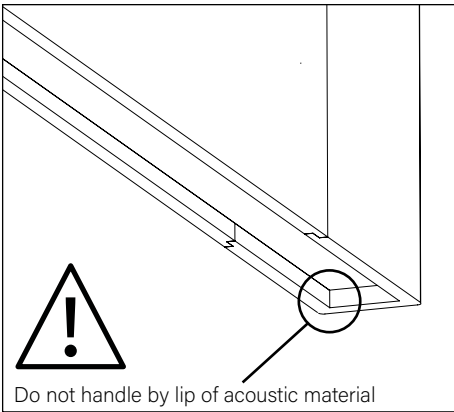
**FOR ALTERNATE CEILING INSTALLATIONS SEE PAGES 3-4**

**INDIVIDUAL UNITS CANNOT BE JOINED IN THE FIELD**

**UNITS CANNOT BE CUT TO LENGTH IN THE FIELD**

7.5"  
Minimum mounting distance from ceiling\*

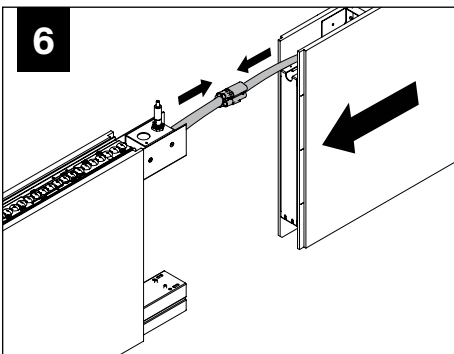
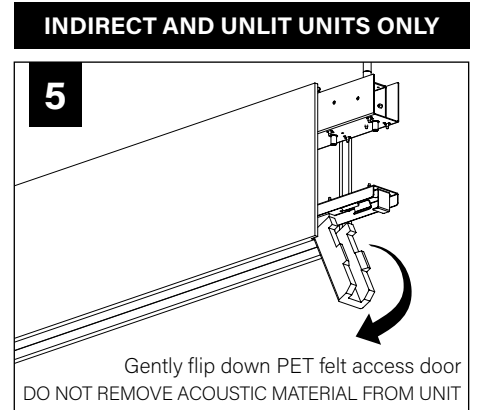
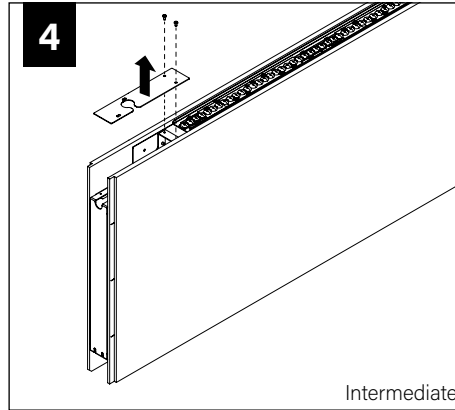
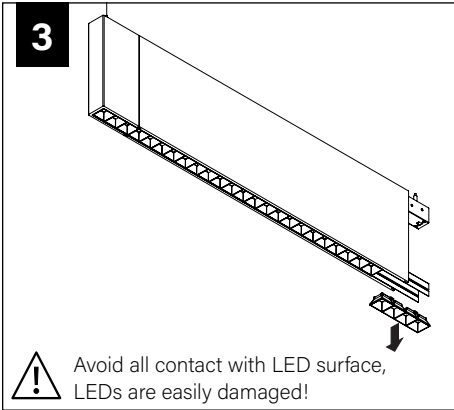
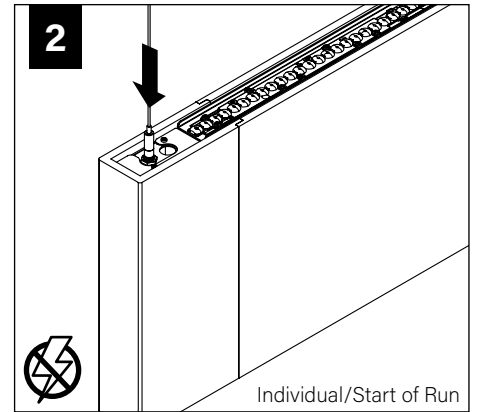
\*Direct/Indirect & Indirect only illuminated baffles



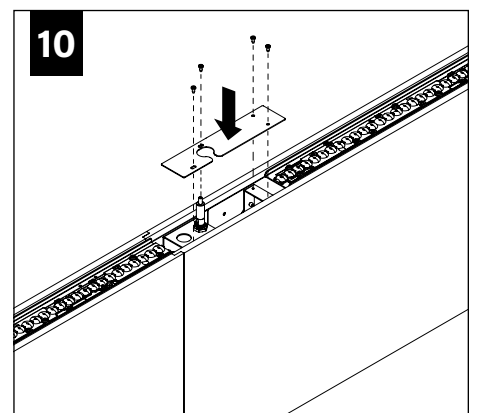
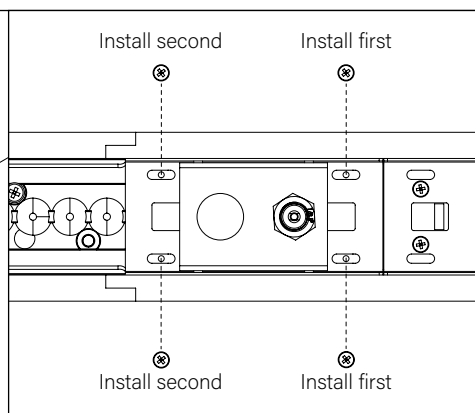
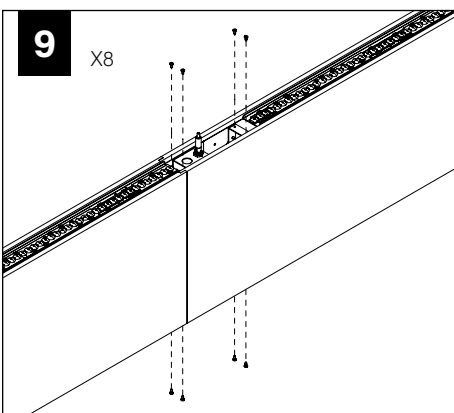
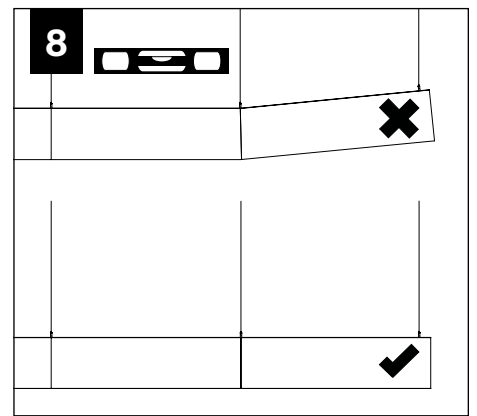
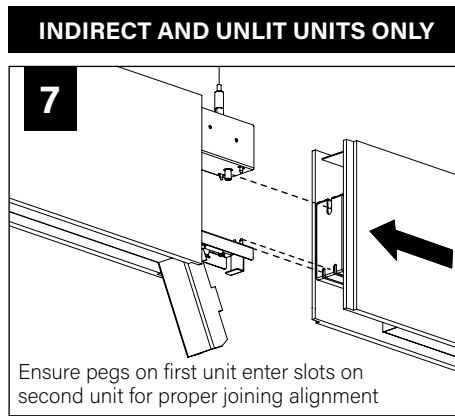
**1**

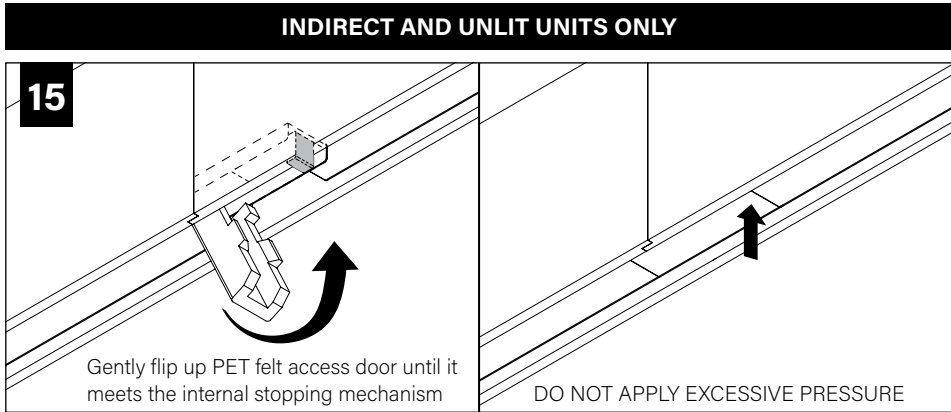
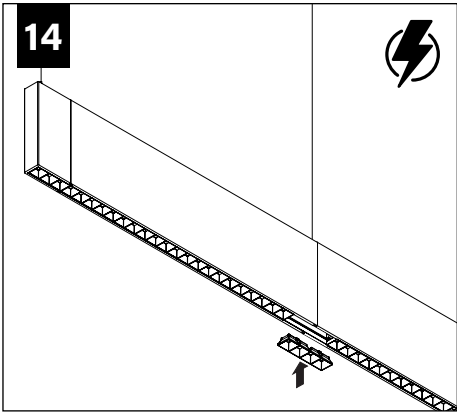
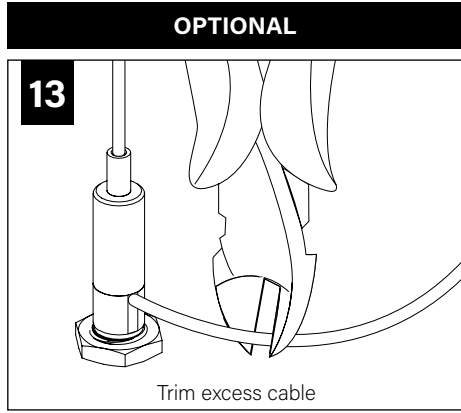
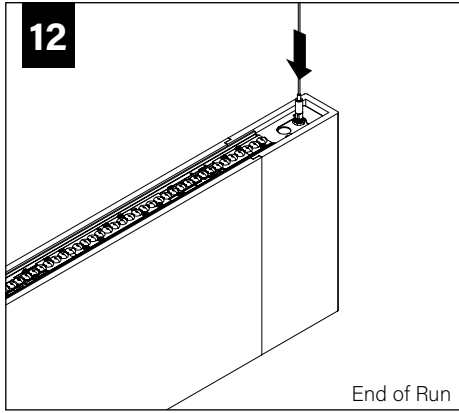
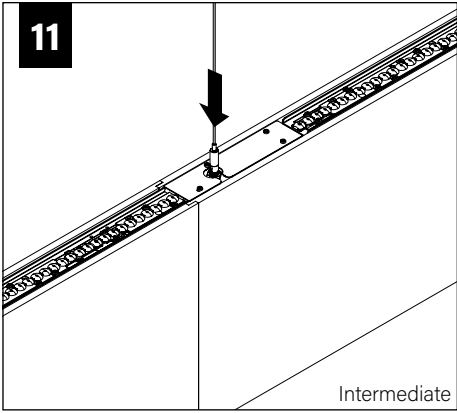
**I**

**FOLLOW FOCAL POINT  
INSTRUCTIONS FOR UNIVERSAL  
SUSPENSION SYSTEM ASSEMBLY.  
SEE IS0166**

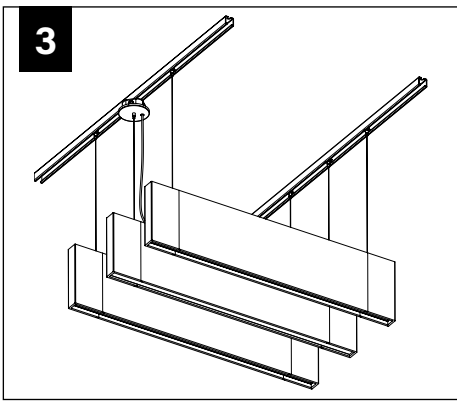
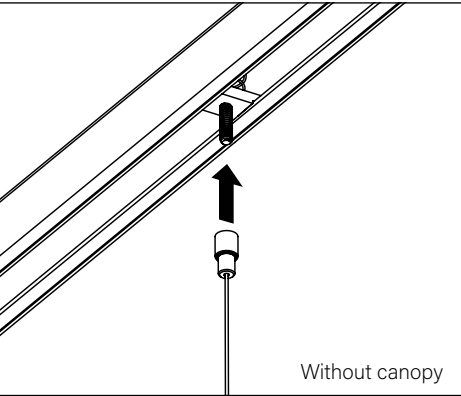
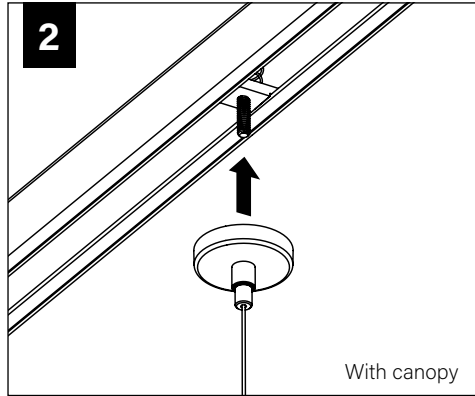
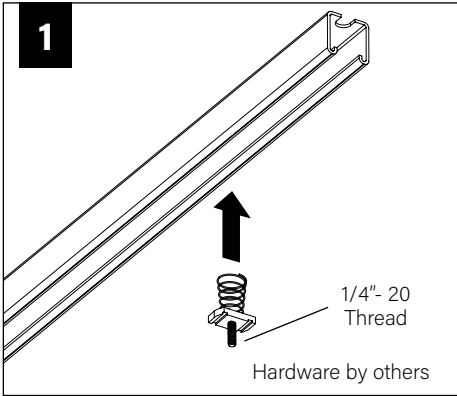


**MAKE ELECTRICAL CONNECTION**

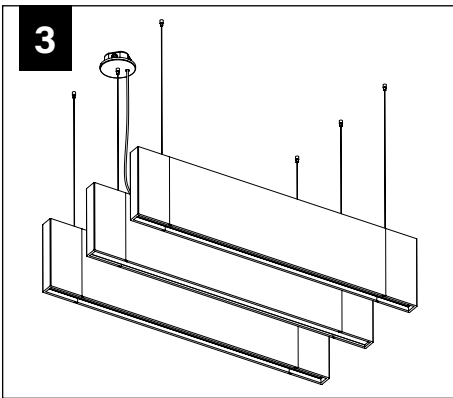
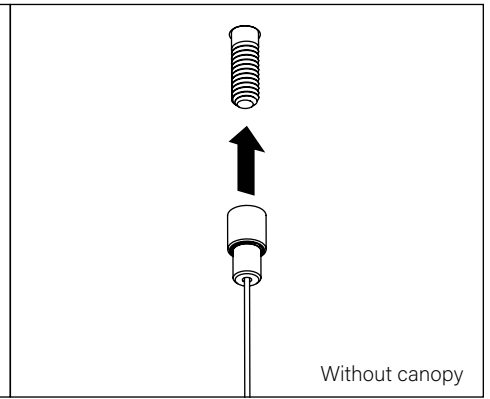
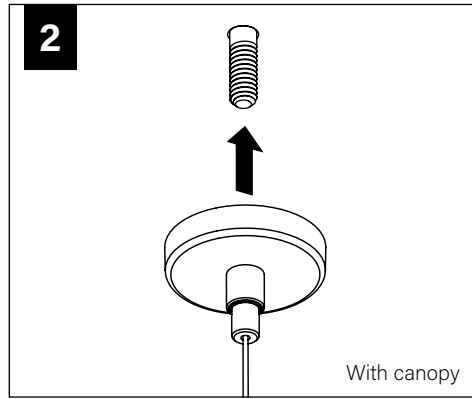
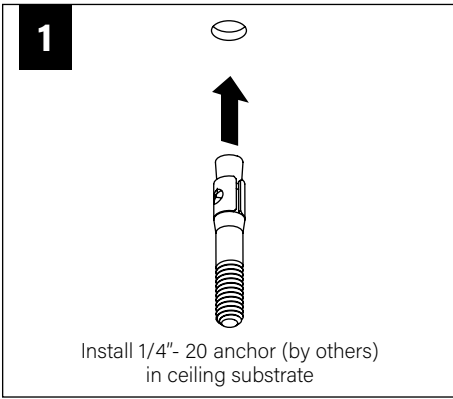




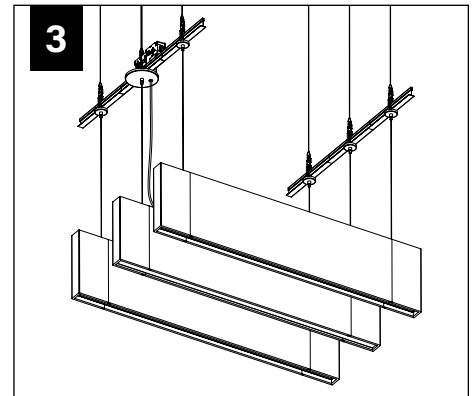
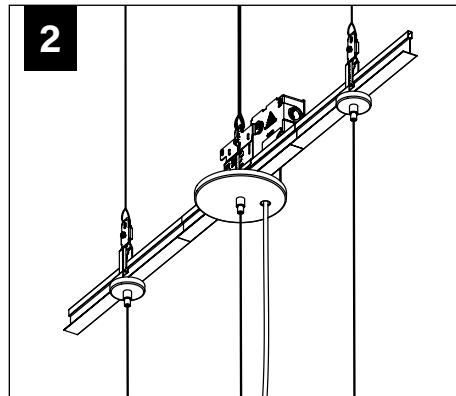
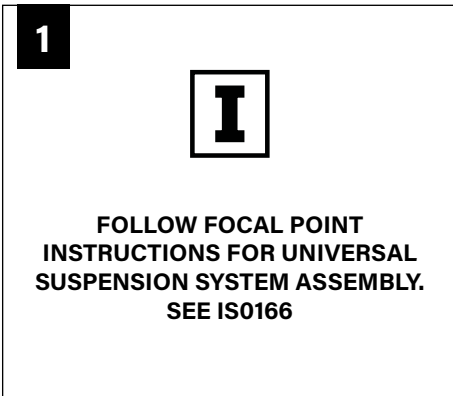
**CEILING STRUT INSTALLATION**



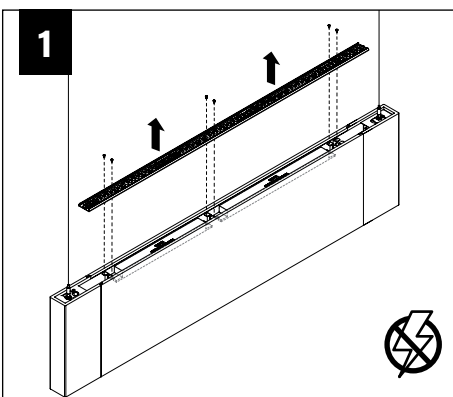
## DRYWALL/HARD SURFACE CEILING INSTALLATION



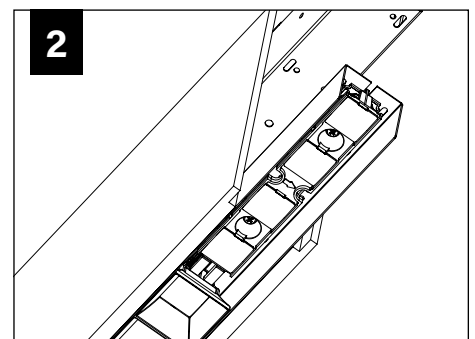
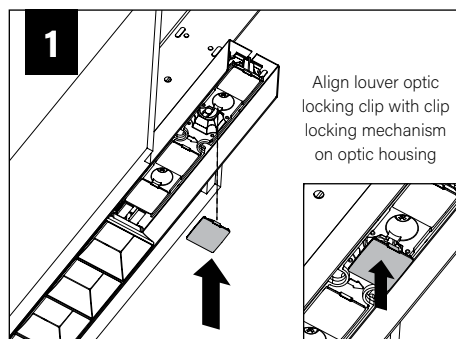
## GRID CEILING INSTALLATION



## DRIVER SERVICE



## LOUVER OPTIC WITH ID+™ TECHNOLOGY INSTALLATION



**!** OPTIC COMPONENTS ARE DIRECTIONALLY SENSITIVE. IF A LOUVER OPTIC BECOMES DISLODGED, IT MUST BE REINSTALLED IN THE CORRECT ORIENTATION TO OPERATE PROPERLY.