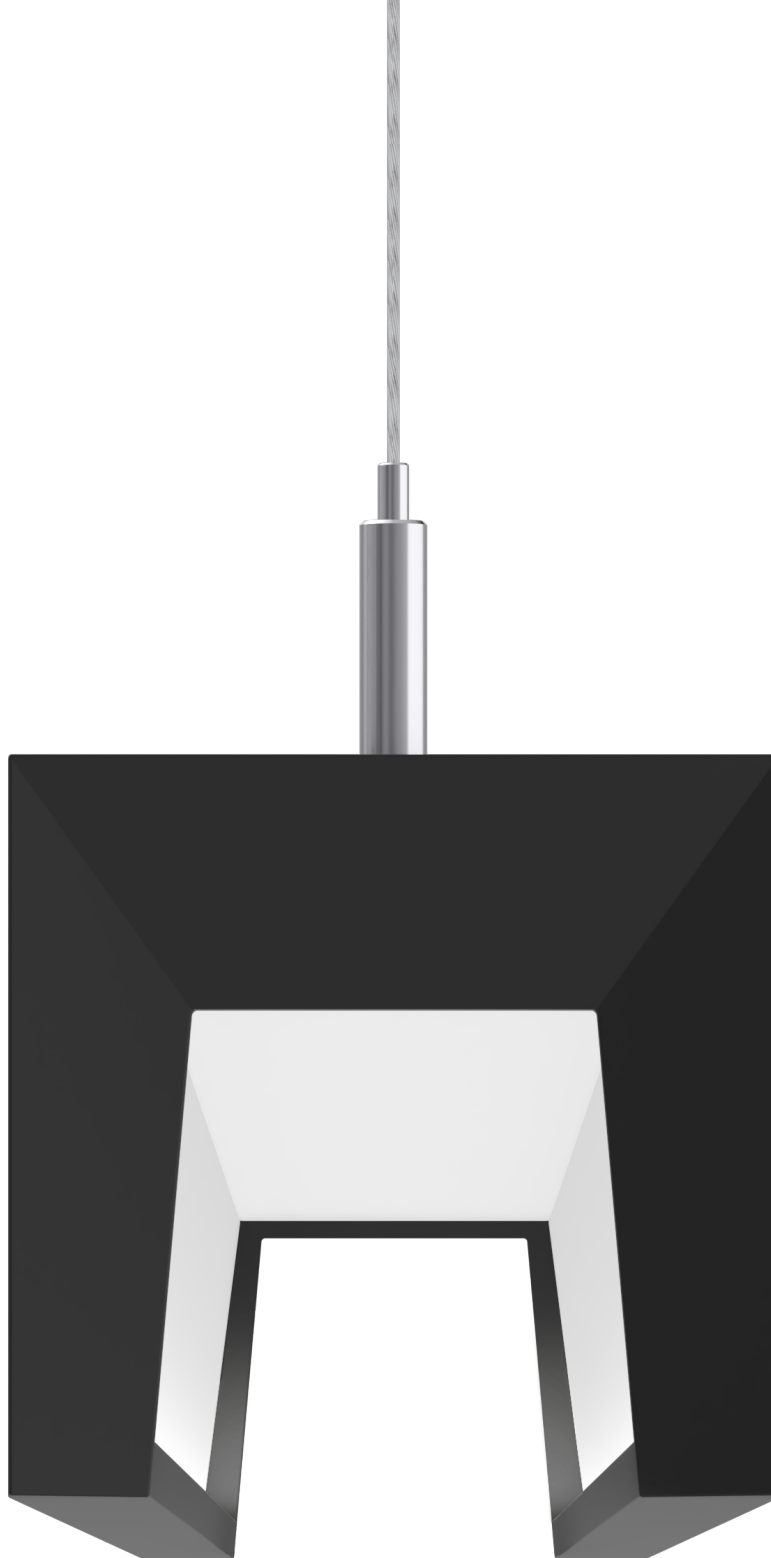




FOCAL POINT®

Bringing It All To Light®

A brand of  legrand®



Score™ 2

OPEN APERTURE, ELEVATED



## HARMONY IN LIGHT

Find open lines of light with a pleasant glow and sleek design that sings. Score 2 luminaires offer an elegant, uncluttered look that infuses spaces with comfortable lighting. Premier aesthetics, a lens-free design, and direct only or bidirectional illumination support a wide variety of applications in commercial offices, higher education, hospitality, healthcare, transportation, and convention spaces.

## GEOMETRIC ELEGANCE IN CONCERT WITH THOUGHTFUL DETAILS

**Narrow, 2.5" open aperture luminaire with 2.65" regress:** Pleasant geometry with deep regress that ensures quiet ceilings without compromising performance and light quality.

**Suspended or surface mounting:** Adapts to various ceiling conditions.



### End cap options:

Inward Bevel for a touch of architectural elegance or clean and classic Flat end.

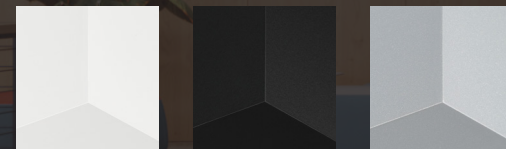


INWARD BEVEL

FLAT

### Finish options:

Matte White, Black or Titanium Silver.



WH

BK

TS

### Optional Power-Up technology:

Leaves the ceiling uncluttered by delivering low-voltage power through aircraft cables.

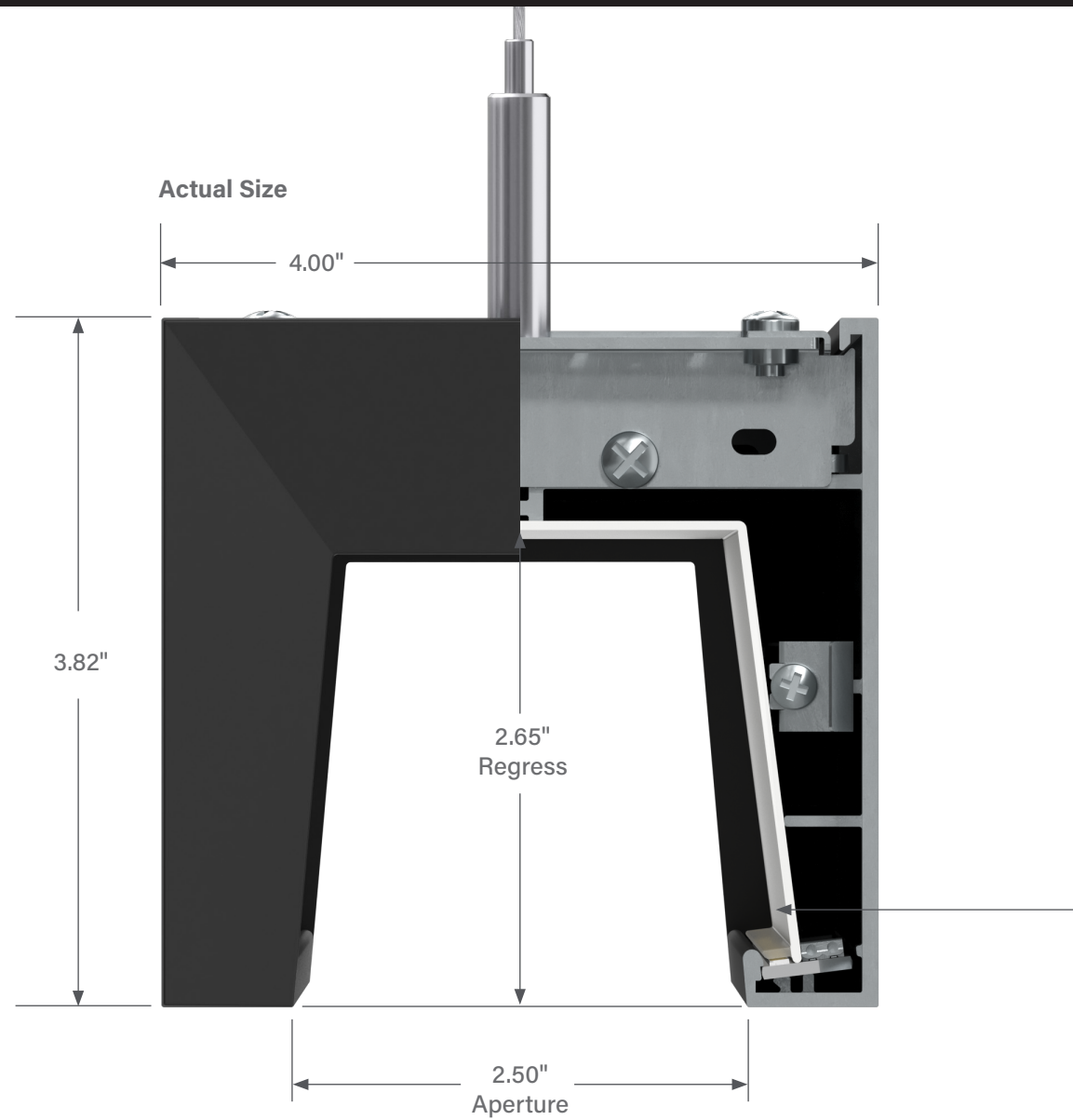
### Individual units or linear runs:

Specify 2- to 8-foot lengths or linear runs in 1-foot increments.



# HIT ALL THE RIGHT NOTES

The minimalist glow of Score 2 brings a stylish touch and comfortable indirect reflected light to any space, adding harmony to the aesthetics without overwhelming.



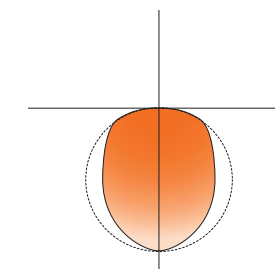
## Robust coextruded reflector system

A single piece that protects the LEDs, offers a smooth, wipeable surface and creates comfortable indirect illumination to ease eye strain.

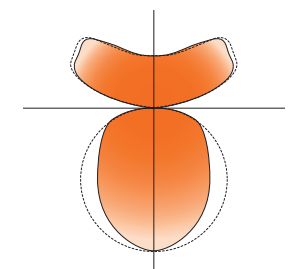


## Powerful light distributions

Lambertian direct and Batwing indirect provide uniform lighting on work planes and ceilings.



**Direct**  
Up to 104 LPW



**Direct/Indirect**  
Up to 133 LPW

## Lumen outputs per foot

Direct: 125 - 1000  
Indirect: 250 - 1250

# Declare.

## Score 2 Linear Luminaires Focal Point, LLC

**Final Assembly:** Chicago, Illinois, USA

**Life Expectancy:** 11 Year(s)

**End of Life Options:** Salvageable/Reusable in its Entirety, Recyclable (92%), Landfill (8%)

**EU CoC Screened:** Contains

### Ingredients:

Aluminum Alloy 6063; Acrylic polymers; Small Electrical Components - RoHS Compliant<sup>1</sup>; Low Alloy Steel; Aluminum 383; Aluminum 3003; Copper; **Polyvinyl chloride**; 1,3-Benzenedicarboxylic acid, polymer with 1,4-benzenedicarboxylic acid, 2,2-dimethyl-1,3-propanediol and 2-ethyl-2-(hydroxymethyl)-1,3-propanediol; Carbon Steel; Calcium Carbonate; Barium sulfate; Tris(2-ethylhexyl) trimellitate; Titanium dioxide; Carbon black; **Diundecyl phthalate, DuDP, branched and linear<sup>†</sup>**; Pulp, cellulose; Benzene, ethenyl-, polymer with 1,3-butadiene, hydrogenated; 1,3-Benzenedicarboxylic acid, polymer with 2,2-dimethyl-1,3-propanediol, hexanedioic acid and 1,3-isobenzofurandione; Kaolin, calcined; Melamine polyphosphate; Phenol, 2,6-dimethyl-, homopolymer; N,N,N',N'-Tetrakis(2-hydroxyethyl)hexane diamide; **1,2-benzenedicarboxylic acid, di-C8-10-branched alkyl esters, C9-rich<sup>†</sup>**; Petroleum distillates; Methyl methacrylate; Poly[imino(1,6-dioxo-1,6-hexanedyl)imino-1,6-hexanedyl]; Aluminum hydroxide; 2-Butoxyethanol; **Antimony oxide (Antimony trioxide)<sup>†</sup>**; Zeolites other than erionite (clinoptilolite, phillipsite, mordenite, non-fibrous Japanese zeolite, synthetic zeolites); Magnesium, [carbonato(2-)]hexadecahydroxybis(aluminum)hexa-; Di(2-ethylhexyl) terephthalate; White mineral oil (petroleum); Polydimethyl Siloxane; Carbonic dichloride, polymer with 4,4'-(1-methylethylidene)bis[phenol]; 1-Octadecanol; **1,3,5-Triazine-2,4,6-triamine, polymer with formaldehyde, methylated<sup>2</sup>**; Water; **Polytetrafluoroethylene**; 1,3,5-Triazine-2,4,6-triamine, polymer with formaldehyde, butylated methylated; Benzenesulfonic acid, dodecyl-, potassium salt

<sup>1</sup>LBC Temp Exception RL-002 - Small Electrical Components

<sup>2</sup>LBC Temp Exception RL-009 - Formaldehyde

<sup>†</sup>SIN List present > 100ppm

### Living Building Challenge Criteria:

#### I-13 Red List:

- LBC Red List Free      % Disclosed: 100% at 100ppm  
 LBC Red List Approved      VOC Content: Not Applicable  
 Declared

**I-10 Interior Performance:** Not Applicable

**I-14 Responsible Sourcing:** Not Applicable

FPL-0008

EXP. 01 JUL 2027

SCREENED: 25 JUN 2026

Original Issue Date: 2026

MANUFACTURER RESPONSIBLE FOR LABEL ACCURACY  
INTERNATIONAL LIVING FUTURE INSTITUTE™ [living-future.org/declare](http://living-future.org/declare)



**FOCAL POINT®**

Bringing It All To Light



©2026 Focal Point, LLC. 4141 S. Pulaski Road, Chicago, IL 60632 T 773.247.9494 | [focalpointlights.com](http://focalpointlights.com)

All rights reserved. "Focal Point", "Score", "Bringing It All To Light" and the light-ray graphic are trademarks or registered trademarks of Focal Point, LLC.

Visit [focalpointlights.com](http://focalpointlights.com) for specifications and other details on our entire Focal Point catalog.