

ID "RF" ROUND FLUSH HOUSING

SAFETY AND INSTALLATION INSTRUCTIONS

LUMINAIRES MUST BE INSTALLED BY A QUALIFIED ELECTRICIAN (CHECK WITH LOCAL AND NATIONAL CODES FOR PROPER INSTALLATION). TO PREVENT ELECTRICAL SHOCK, DISCONNECT ELECTRICAL SUPPLY BEFORE INSTALLATION OR SERVICING.

WARNING:

- Installations without Focal Point supplied transformers voids the Focal Point warranty and the UL listing.
- Do not install aperture of unit closer than 6" from curtains, fabrics or combustible materials.
- Installation shall comply with local electrical codes and the NEC.
- Install on structurally sound surfaces.
- Install with 1/2" EMT conduit or BH bar hanger accessory.
- Install housing in a manner to permit access to components and splice connections which may require service.
- In grid ceiling installation, support luminaire from structure above in addition to bar hangers and conduit.
- Use 90°C supply wiring.
- The recessed luminaire is thermally protected, a blinking light may indicate over-heating. Check to ensure the lamp wattage is not higher than as specified on the housing label.
- Inspect to ensure that the housing will not move when the ceiling and trim is installed.

Notes: It is strongly recommended that the electrical contractor, drywall contractor, and general contractor review these installation instructions to ensure adequate time and coordination of trades is planned. Failure to do so may result in unsatisfactory finished installation.

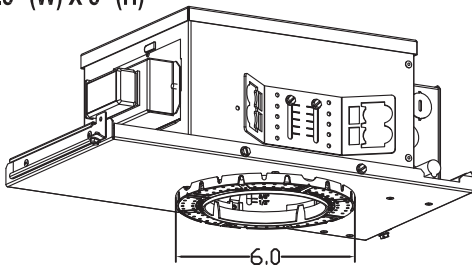
For FLUSH mounted trims, the basic installation consists of a three step process.

1. Rough in housing, adjust adapter plate, and align to walls.
2. Fine tune adapter plate after drywall installation for depth and **before** mudding.
3. Mud, Paint and Install trim.

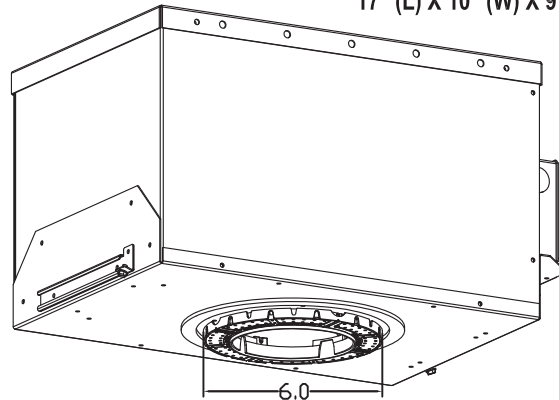
*All three steps apply to mud-in drywall, skim coat veneer and true three coat plaster installation.

A. Housing dimensions are as follows:

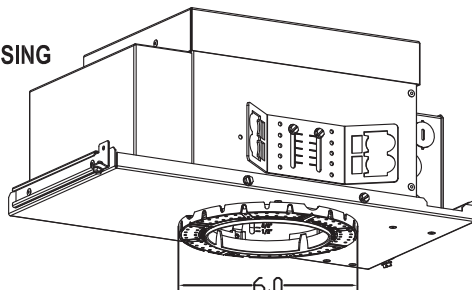
FD4 SERIES HOUSING
NON-IC HALOGEN HOUSING
15" (L) X 7.5" (W) X 5" (H)



FD4 SERIES HOUSING
IC - RATED HALOGEN HOUSING
17" (L) X 10" (W) X 9" (H)



FM4 SERIES HOUSING
IC - RATED METAL HALIDE HOUSING
15" (L) X 7.5" (W) X 6" (H)



CONTRACTOR IS RESPONSIBLE FOR ADEQUATELY REINFORCING WALLS AND/OR CEILINGS TO SUPPORT LUMINAIRE WEIGHT. FOCAL POINT, L.L.C. ACCEPTS NO RESPONSIBILITY FOR INADEQUATELY REINFORCED WALLS AND/OR CEILINGS.

THE INFORMATION CONTAINED IN THIS DRAWING IS THE SOLE PROPERTY OF FOCAL POINT LLC. ANY REPRODUCTION IN PART OR WHOLE WITHOUT THE WRITTEN PERMISSION OF FOCAL POINT LLC IS PROHIBITED. 2010 © FOCAL POINT LLC



INSTALLATION GUIDE NO.

IS0240

DWG. NO.

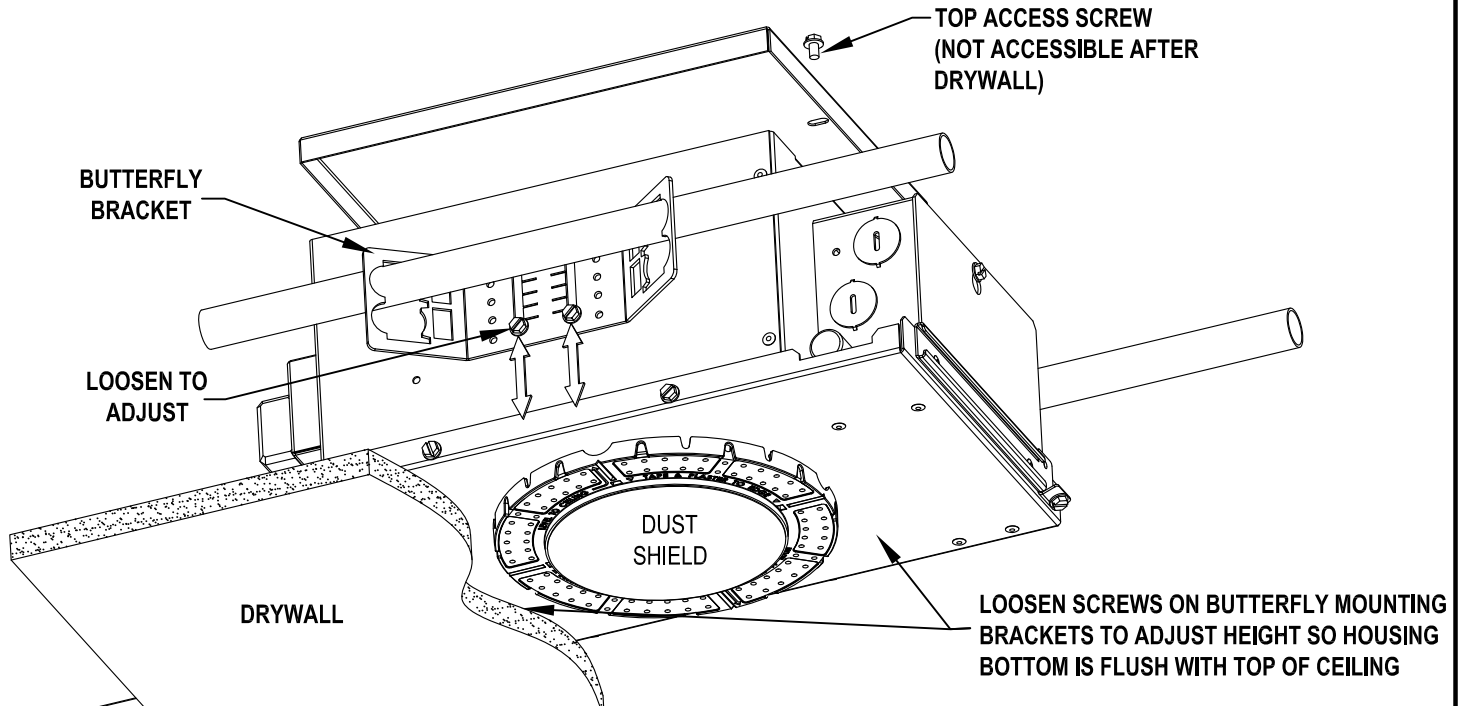
REV. C

Wiring (see page 4):

- Make appropriate connections.
- Place connections inside j-box and replace cover.
- Ensure dimmer is compatible with transformer supplied.

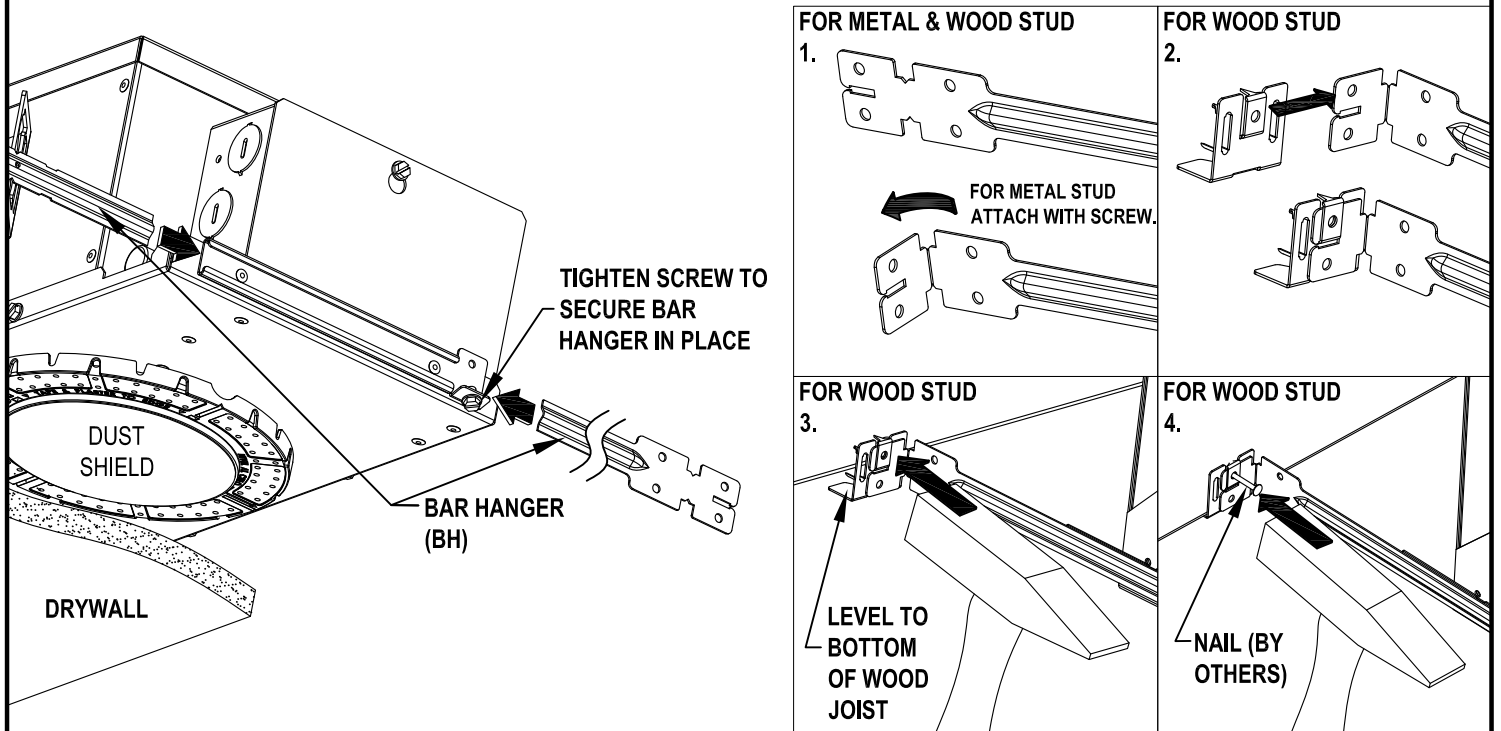
Rough in installation of housing

B1 - Installation with 1/2" conduit (Ensure bottom of housing sits flush with top of ceiling.)



B2 - Installation with BH bar hanger accessory (Ensure bottom of housing sits flush with top of ceiling.)

Maximum span with BH is 24" and can be used for grid, wood stud, and metal stud supports



C. ADJUST ADAPTER PLATE

WARNING - OMITTING STEPS CAN RESULT IN AN UNSATISFACTORY INSTALLATION FINISH

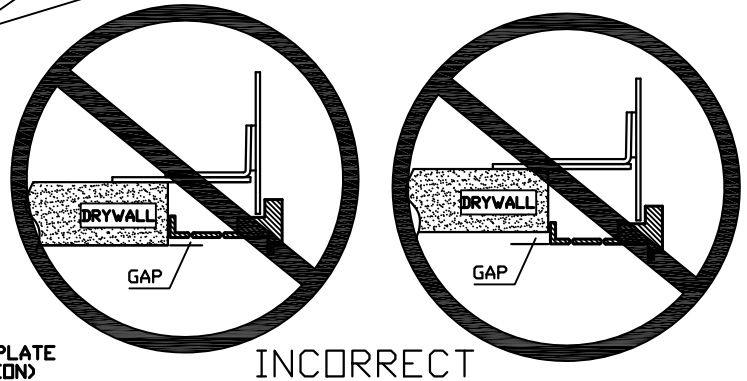
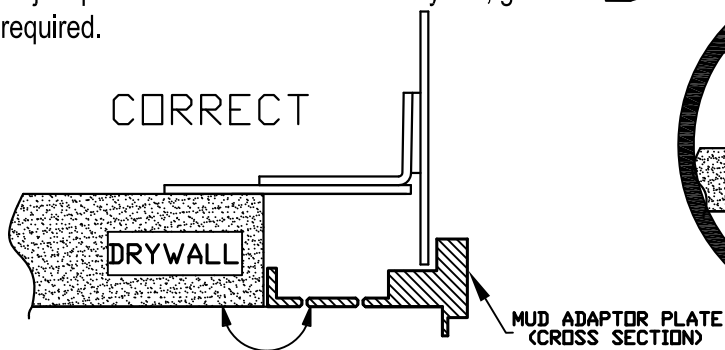
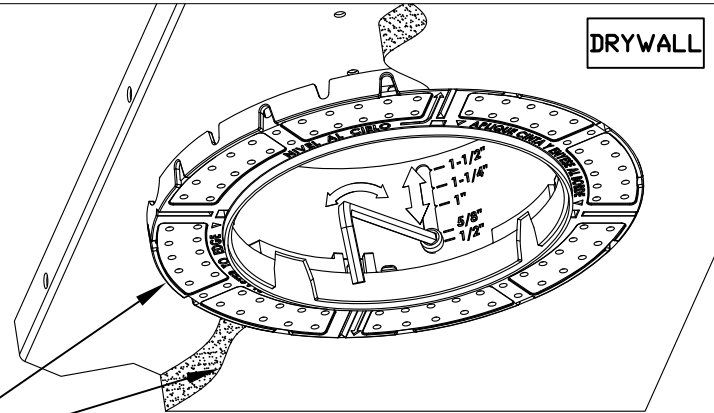
ROUND FLUSH trims need to be adjusted before drywall installation and before taping and mudding

BEFORE DRYWALL INSTALLATION:

Remove dust shield and adjust plate using the supplied 9/64" hex wrench. Adjust adapter plate for proper ceiling thickness by loosening all (3) RED hex screws. Replace dust shield when done. If not tightened down properly, mud adaptor plate will shift.

BEFORE MUDDING AND TAPING:

Adjust plate to be level with face of drywall, gimbal if required.



D. MUD IN ADAPTOR / FINISH CEILING

Mud and tape, veneer coat plaster, or finish coat plaster as per ASTM Specs.

A die cut paper tape (Focal Point #17895) is provided for embedding into initial coat of finish. Feather out the compound to ensure a smooth finish, a minimum of 16" is recommended. Ensure the adaptor lip of die cast is exposed during final sanding.

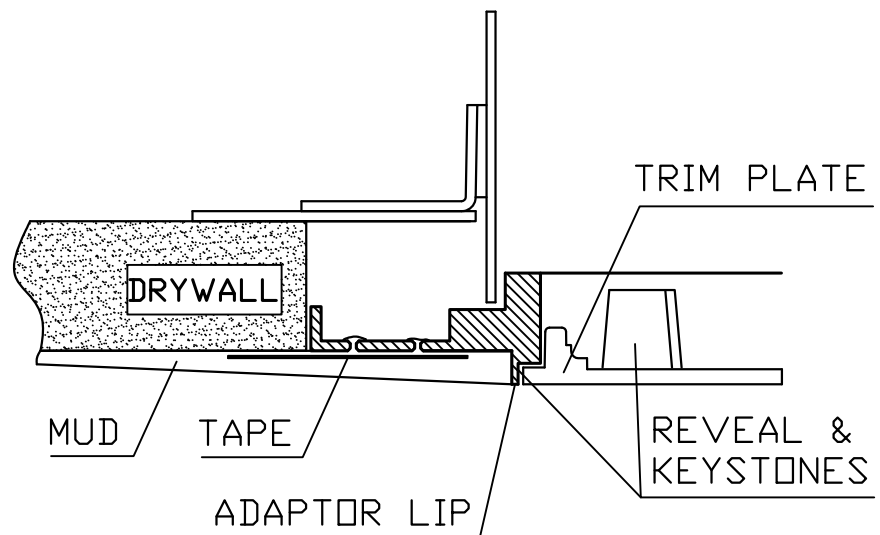
BEFORE PAINTING:

Ensure mud compound is out of adaptor plate reveal and keystone.

PAINT CEILING:

Paint trims if desired, see trim installation instructions for disassembly directions for painting.

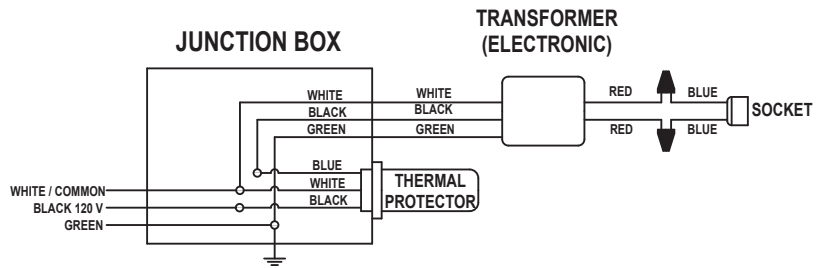
Warning: Trims must be painted per instructions for satisfactory finish.



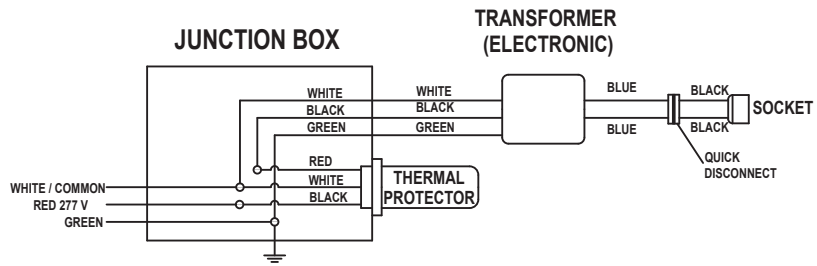
HOUSING INSTALLATION IS NOW COMPLETE

WIRING DIAGRAMS LOW VOLTAGE MR16

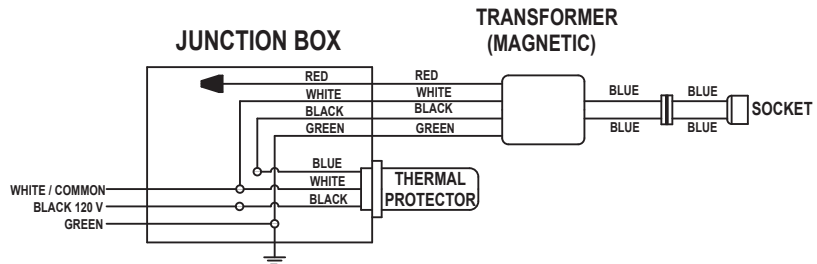
**FD4-MR-E1 SERIES
(120V)**



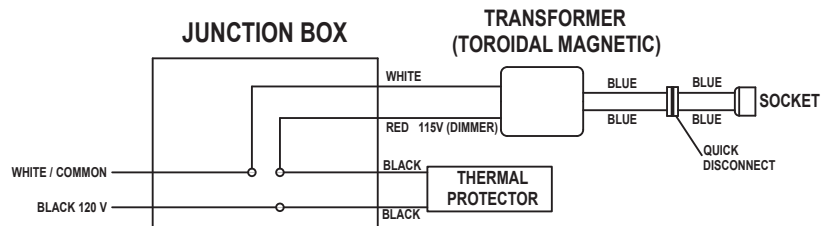
**FD4-MR-E2 SERIES
(277V)**



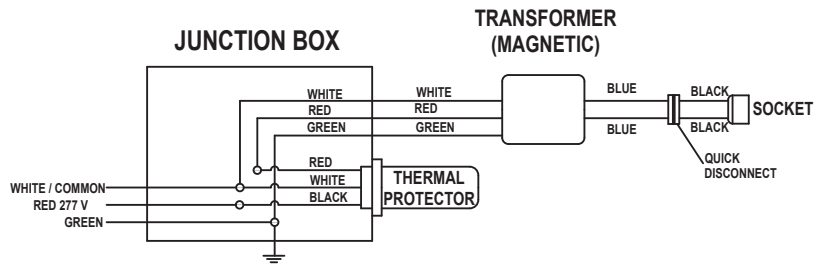
**FD4-MR-M1 SERIES
(120V)**



**FD4-MR-M1T SERIES
(120V)**



**FD4-MR-M2 SERIES
(277V)**



WIRING DIAGRAM METAL HALIDE MR16

**FM4-MR-M156U SERIES
(120V/277V)**

