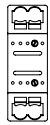


id[®] cfl housing, flush trim

FC44

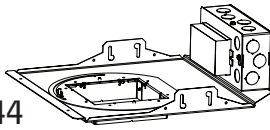


FOCAL POINT

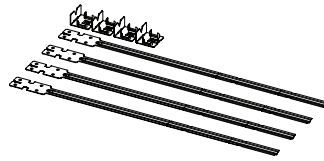


x2

FC44



OPTIONAL - SOLD SEPARATELY



KEY



POWER OFF



POWER ON



LEVEL

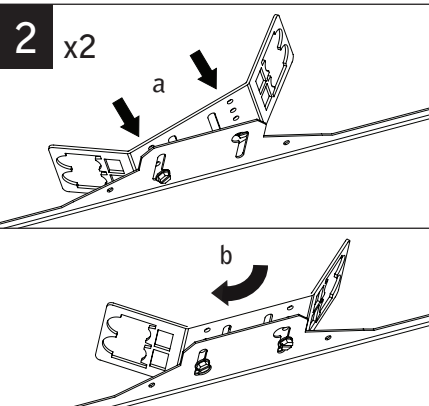
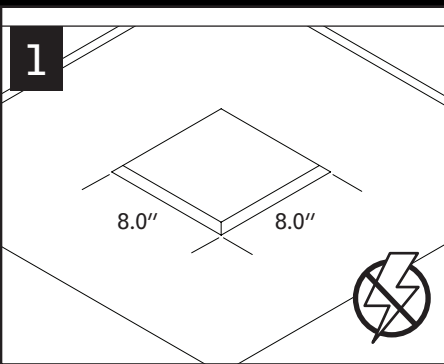


ATTENTION

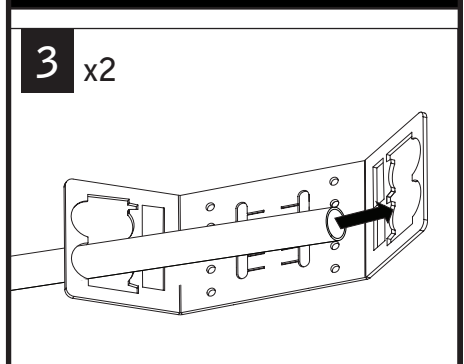


SEE TRIM INSTRUCTIONS
IS0247/IS0258

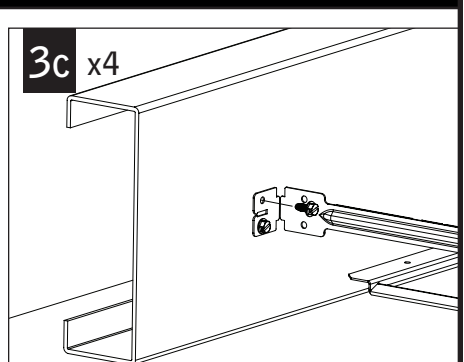
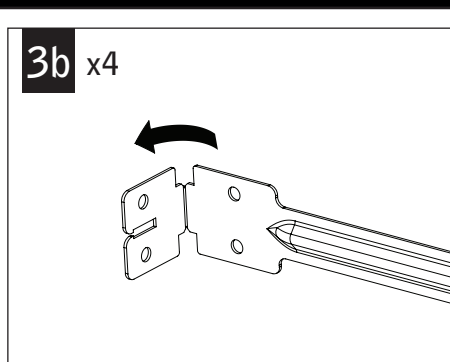
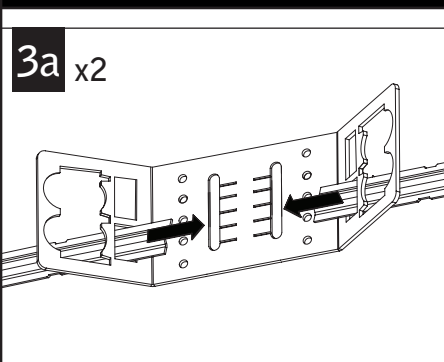
4.5" x 4.5"



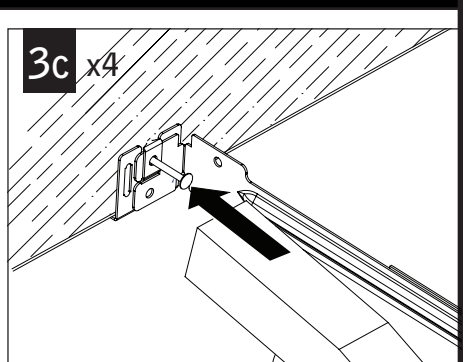
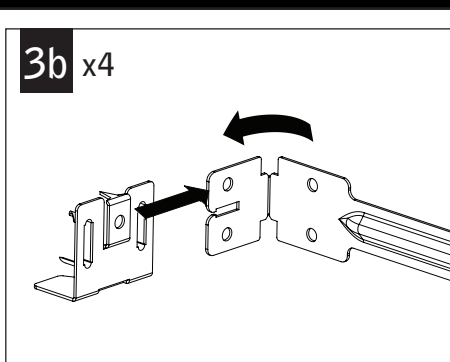
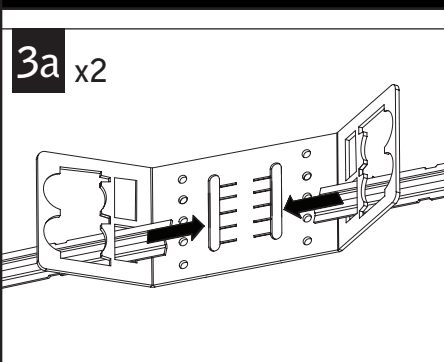
1/2" CONDUIT (BY OTHERS)



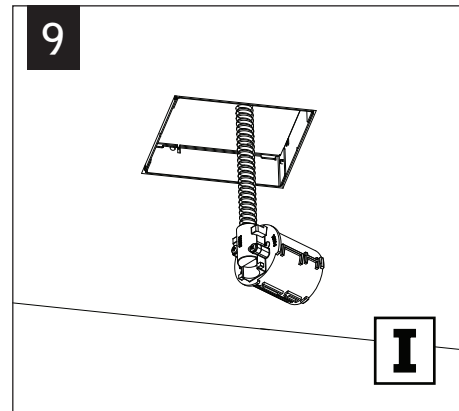
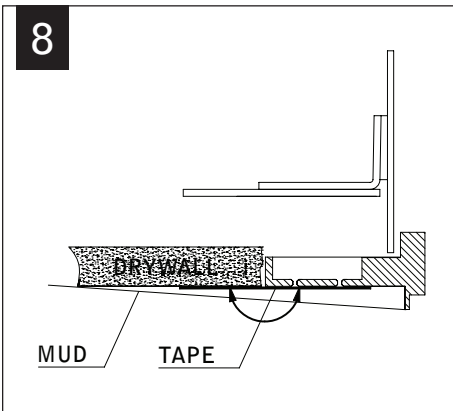
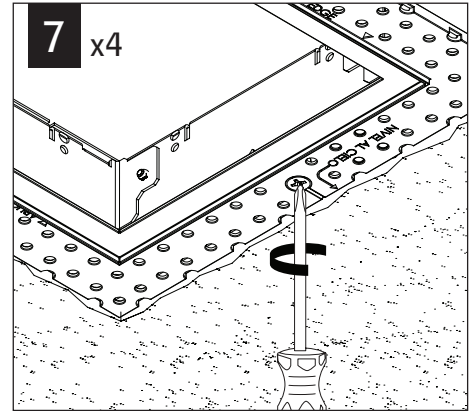
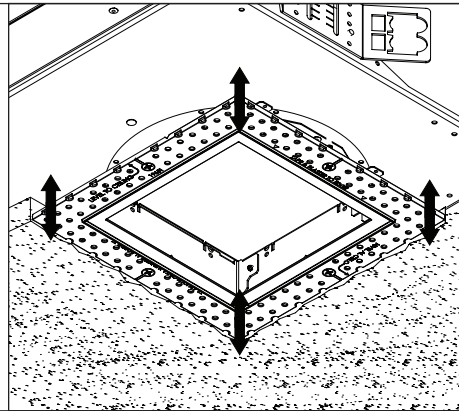
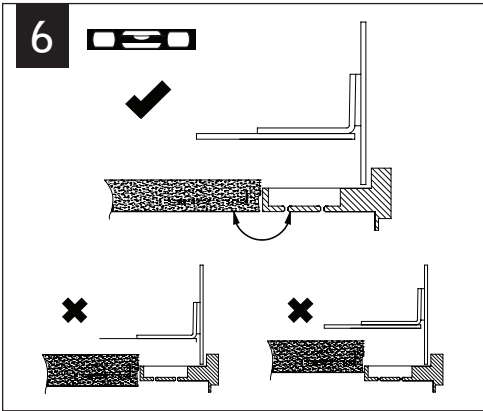
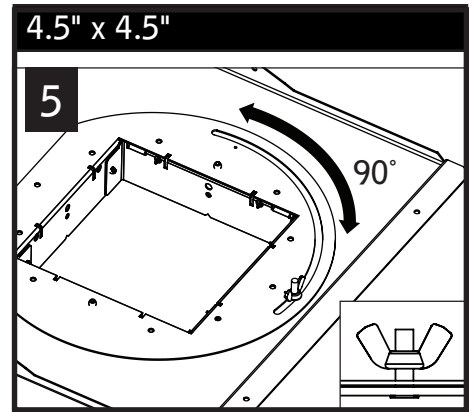
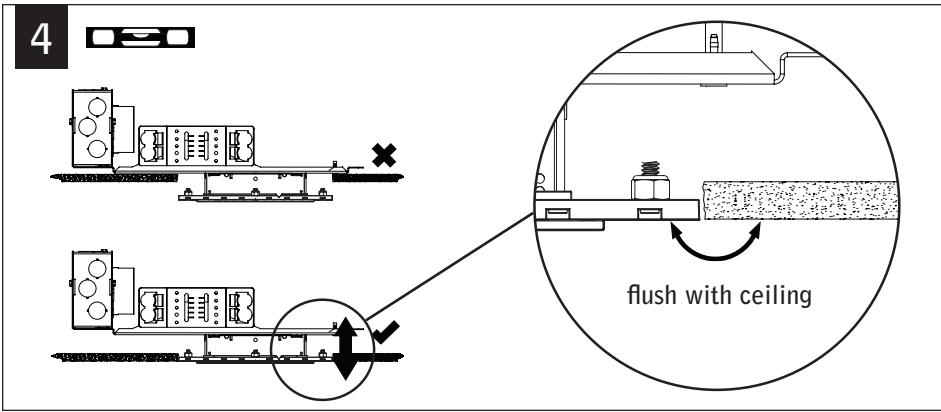
BAR HANGERS - METAL STUDS



BAR HANGERS - WOOD STUDS



Luminaires must be installed by a qualified electrician (check with local and national codes for proper installation).
To prevent electrical shock, disconnect electrical supply before installation or servicing.



Contractor is responsible for adequately reinforcing walls and/or ceilings to support luminaire weight. Focal Point, LLC accepts no responsibility for inadequately reinforced walls and/or ceilings. The information contained in this drawing is the sole property of Focal Point, LLC. Any reproduction in part or whole without the written permission of Focal Point, LLC is prohibited.