

# id+ 2.5" square housing

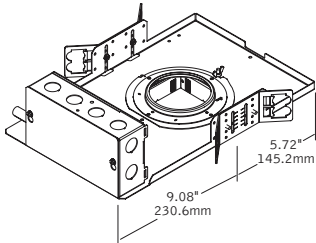
FLS22



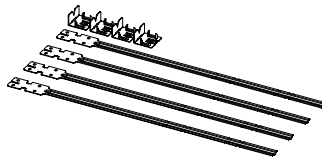
FOCAL POINT®

**! LUMINAIRE MUST BE INSTALLED PRIOR TO DRYWALL CEILING. ALL GRID LUMINAIRES MUST BE SECURED TO STRUCTURE ABOVE. !**

NON-EMERGENCY - THERMALLY PROTECTED, NON-IC



**!** BAR HANGERS  
NON-IC - SOLD SEPARATELY  
IC - INCLUDED



KEY



POWER OFF



POWER ON



LEVEL

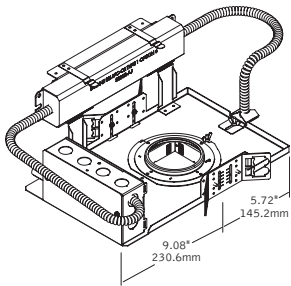


ATTENTION

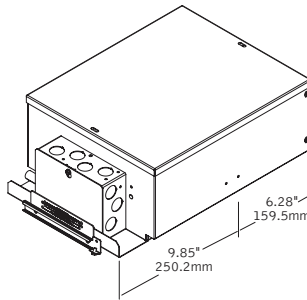


SEE ADDITIONAL INSTRUCTIONS

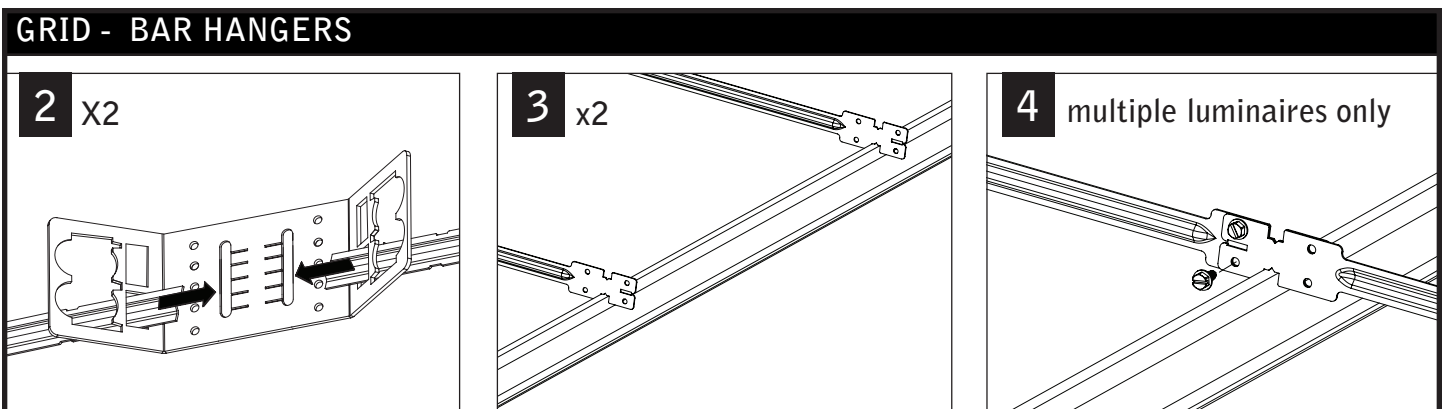
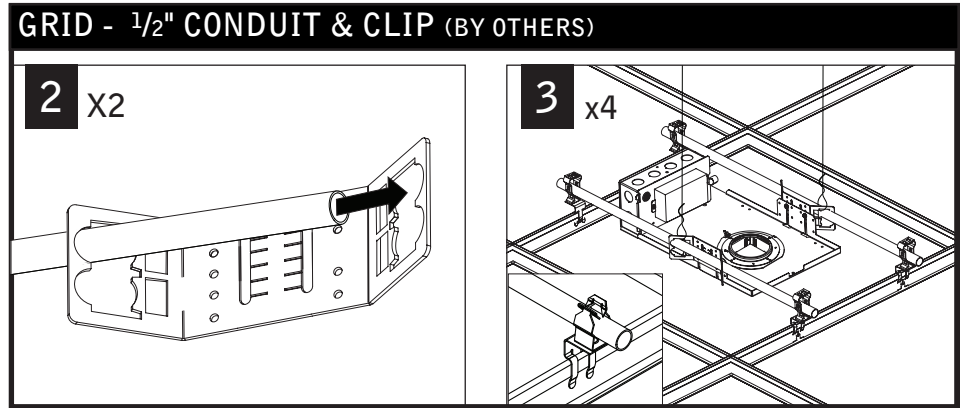
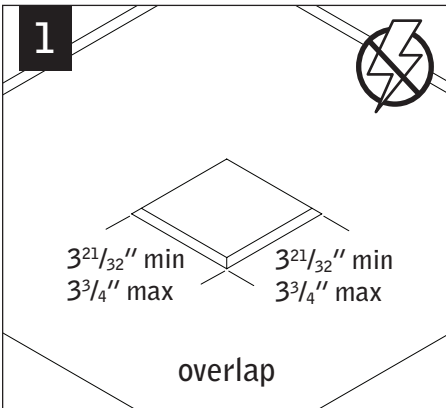
EMERGENCY - REMOTE TEST SWITCH, NON-IC



NON-EMERGENCY - IC RATED

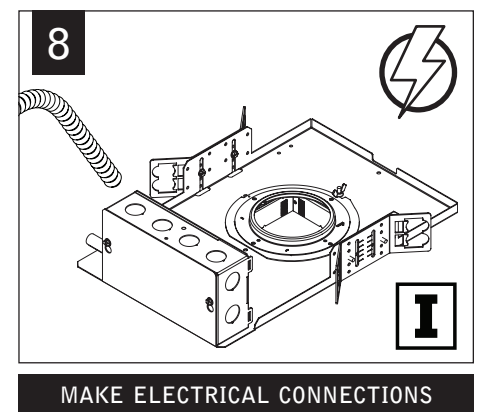
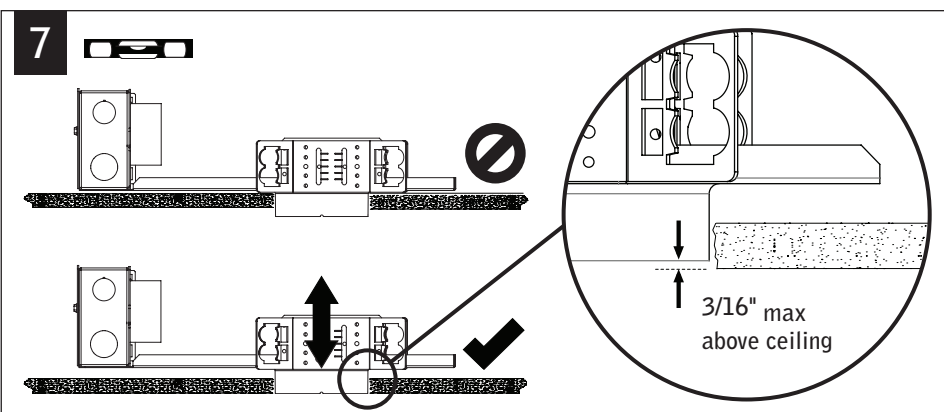
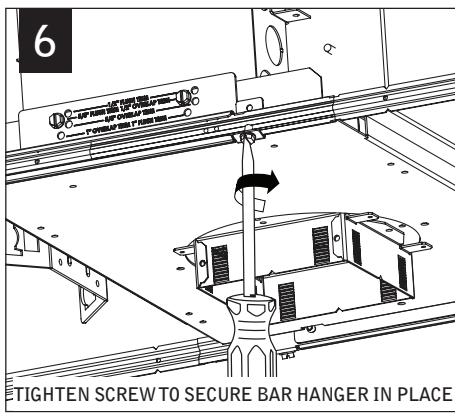
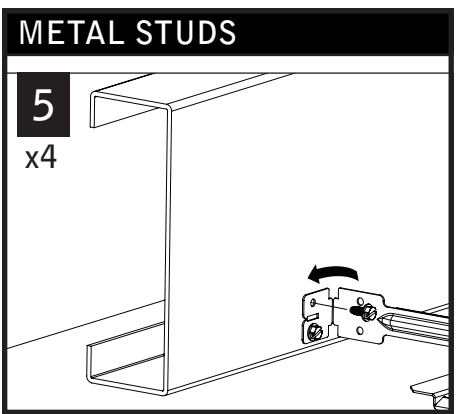
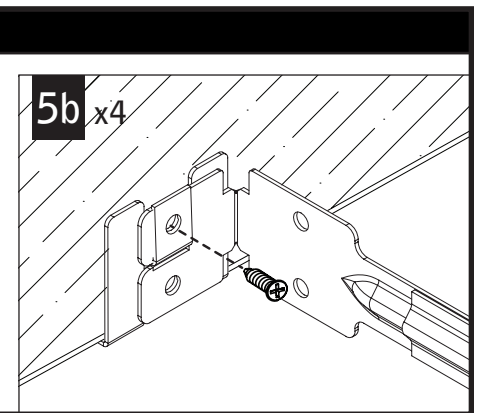
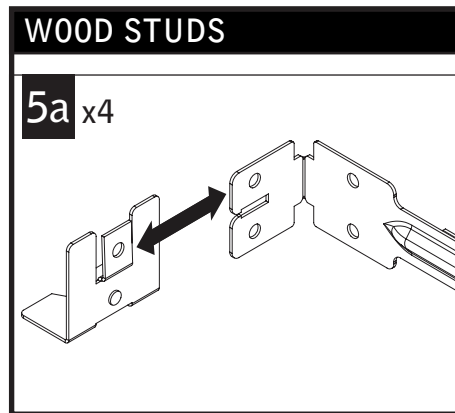
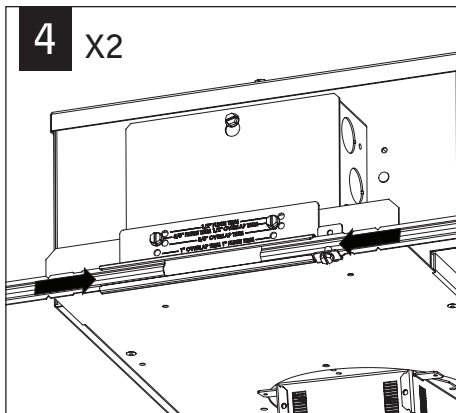
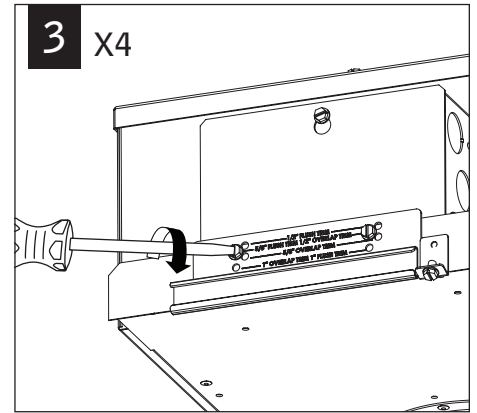
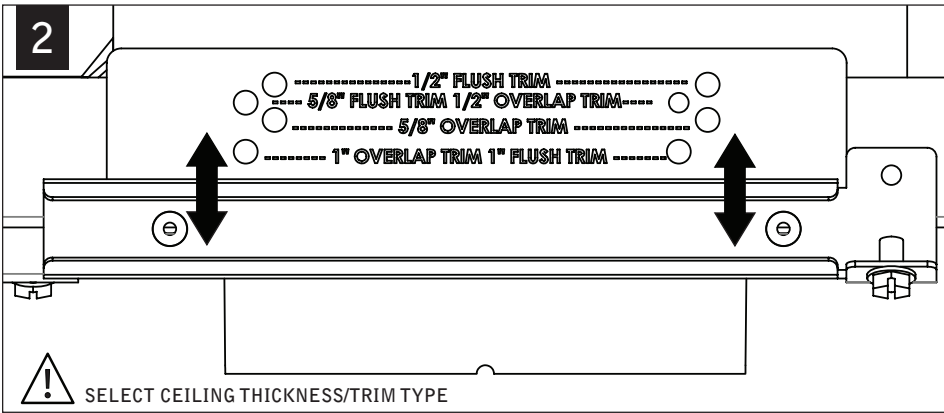


FOR ASTM E-283 AIR-TIGHT COMPLIANCE, SEAL IC HOUSING/RO TRIM WITH SILICONE CAULKING BETWEEN THE EDGE OF THE COLLAR AND CEILING MATERIAL. SEAL ALL ADDITIONAL HOLES IN HOUSING WITH ALUMINUM TAPE.



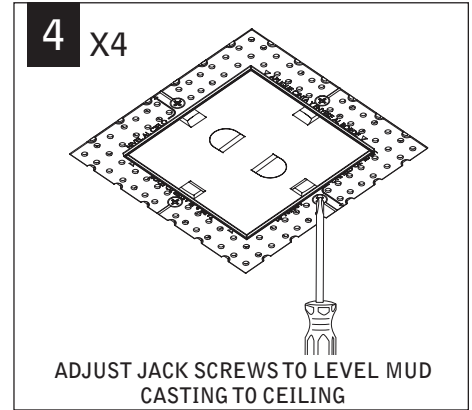
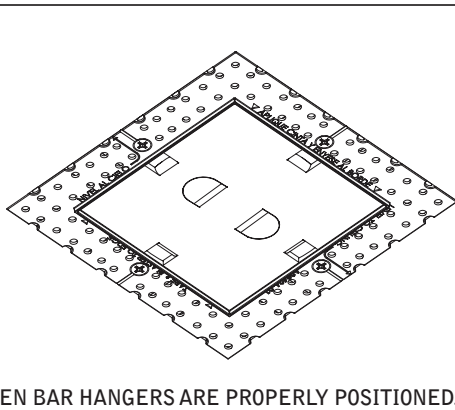
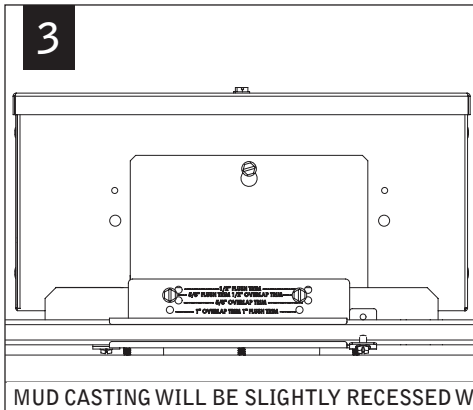
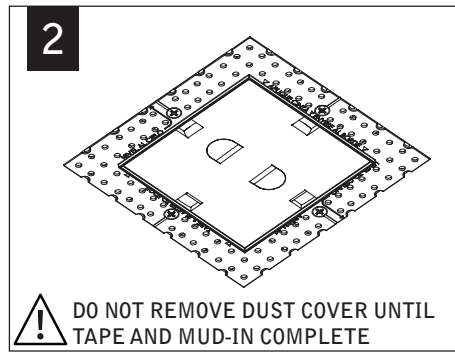
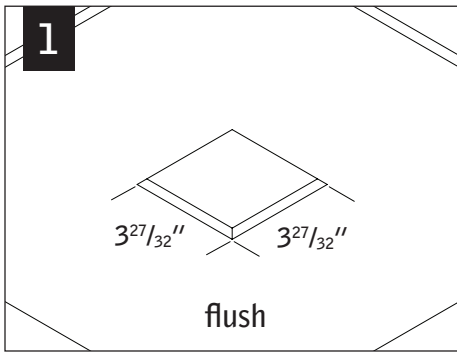
Luminaires must be installed by a qualified electrician (check with local and national codes for proper installation).  
To prevent electrical shock, disconnect electrical supply before installation or servicing.

# DRYWALL - BAR HANGERS



Luminaires must be installed by a qualified electrician (check with local and national codes for proper installation).  
 To prevent electrical shock, disconnect electrical supply before installation or servicing.

## FLUSH TRIM MUD-IN



## EMERGENCY - MOUNTING HEIGHT

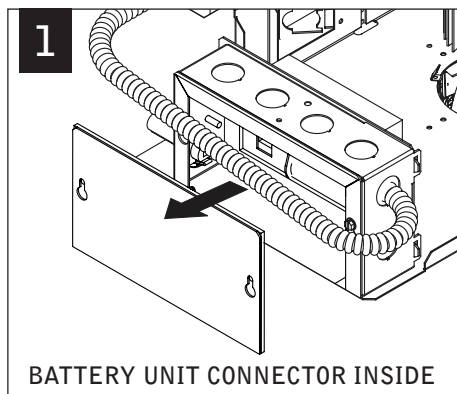


SEE BATTERY MANUFACTURER INSTRUCTIONS

EMERGENCY MAXIMUM MOUNTING HEIGHT:  
 DN-DFL-CD-WH: 12.00'  
 WW-NFL-CD-WH: 9.00'

## EMERGENCY - INTEGRAL TEST SWITCH

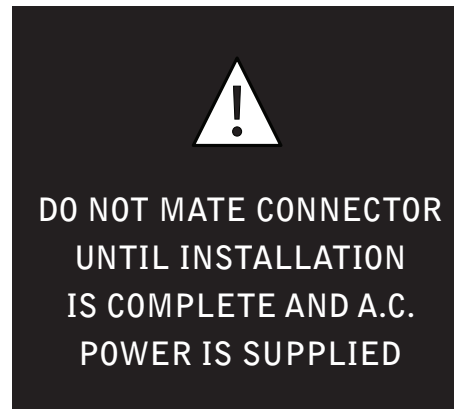
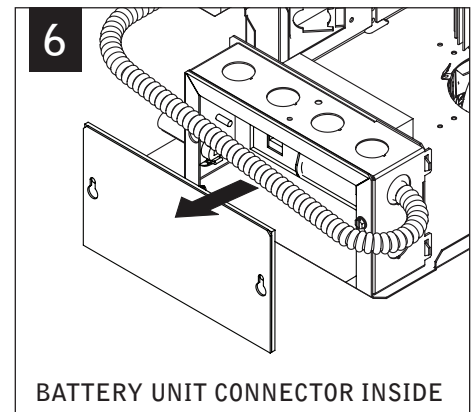
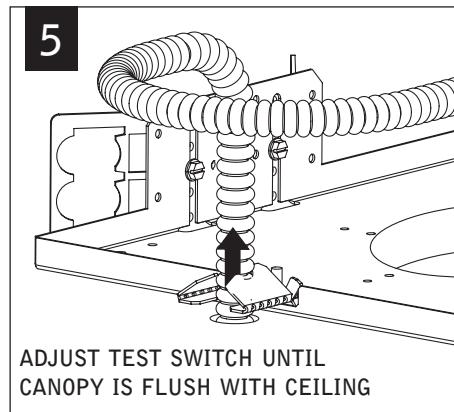
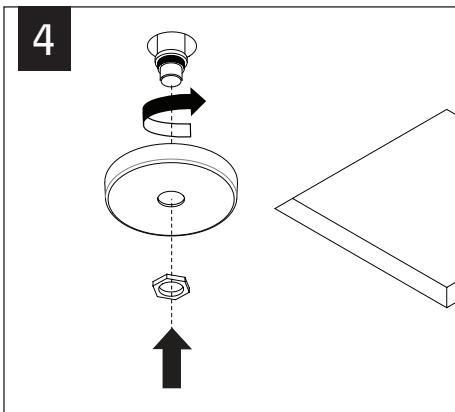
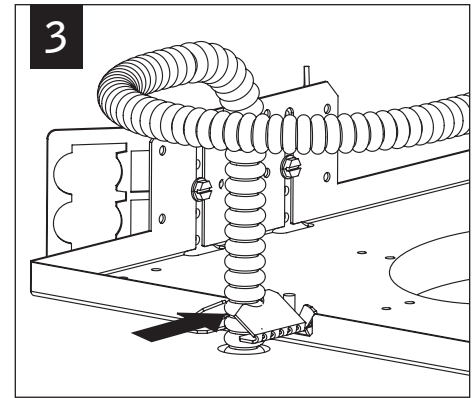
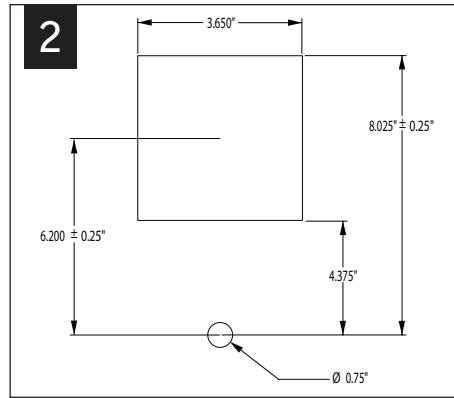
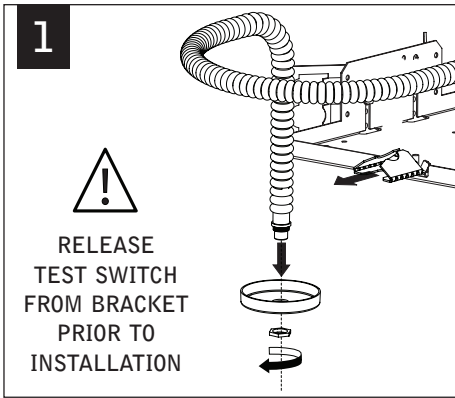
▲ ABOVE CEILING ACCESS REQUIRED ▲



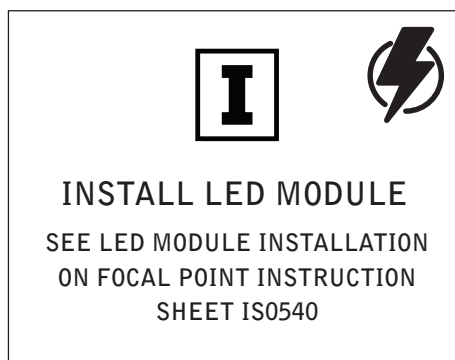
Luminaires must be installed by a qualified electrician (check with local and national codes for proper installation).  
 To prevent electrical shock, disconnect electrical supply before installation or servicing.

## EMERGENCY - REMOTE TEST SWITCH

⚠ ABOVE CEILING ACCESS REQUIRED ⚠



## LED MODULE AND TRIM INSTALLATION



Luminaires must be installed by a qualified electrician (check with local and national codes for proper installation).  
To prevent electrical shock, disconnect electrical supply before installation or servicing.

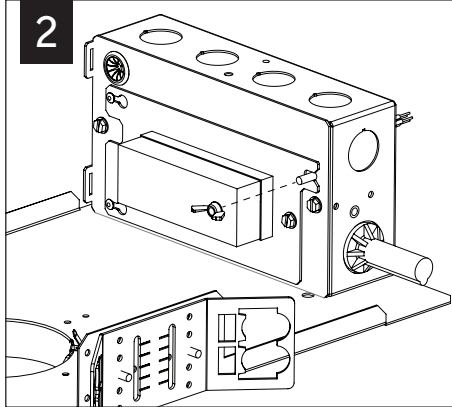
# DRIVER SERVICE

1

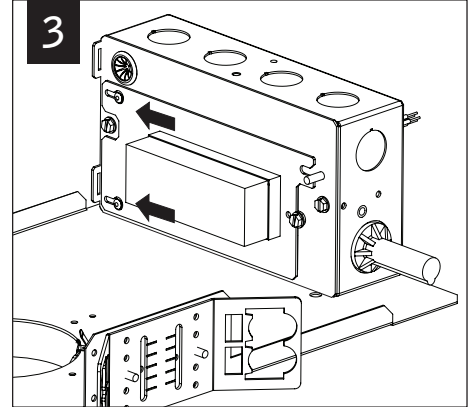


**REMOVE LED MODULE**  
SEE LED MODULE REMOVAL ON  
FOCAL POINT INSTRUCTION  
SHEET IS0540

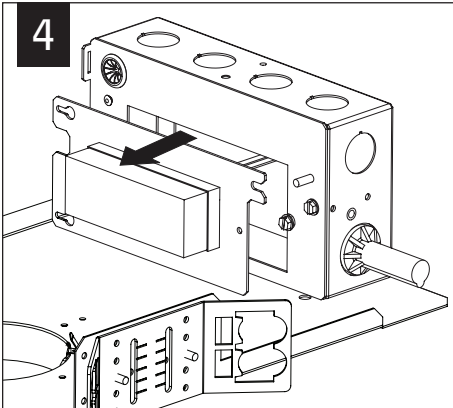
2



3



4



Contractor is responsible for adequately reinforcing walls and/or ceilings to support fixture weight. Focal Point, LLC accepts no responsibility for inadequately reinforced walls and/or ceilings. The information contained in this drawing is the sole property of Focal Point, LLC. Any reproduction in part or whole without the written permission of Focal Point, LLC is prohibited.