

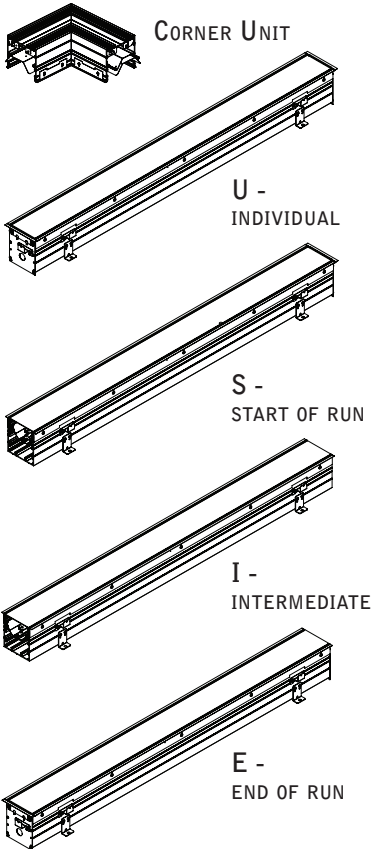
seem® 6led grid ceiling

FSM6L



! CONFIGURATIONS ARE RUN SPECIFIC, PLEASE CONSULT FACTORY DRAWINGS BEFORE BEGINNING INSTALLATION. !

FOCAL POINT



PARTS LISTS

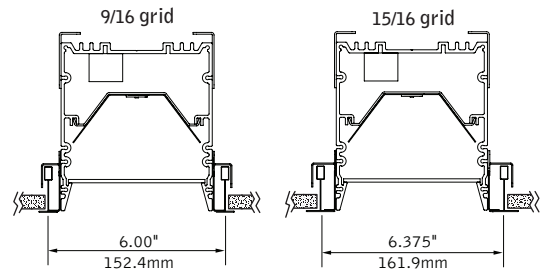
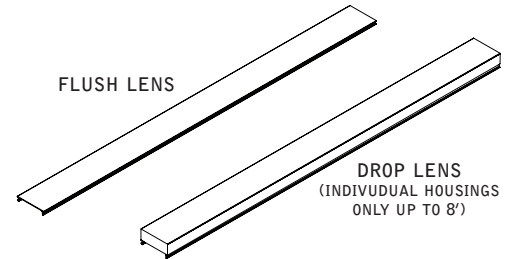
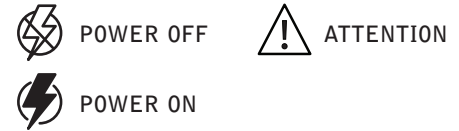
INCLUDED HARDWARE

- REFLECTOR SCREW (72010)
- JOINER BULKHEAD SCREW (72010)
- LENS TOOL (A15966-01) (AFFIXED TO HOUSING. ONE PER RUN)

PARTS SHIPPED INSTALLED

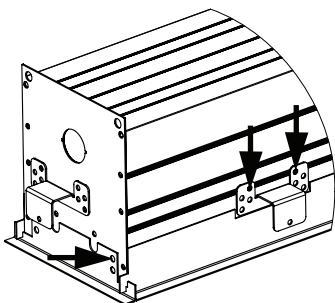
- JOINER BRACKET SCREW (72009)
- JOINER BRACKET (A15328-01)
- LENS END PIECE (A12498)
- TIE-WIRE BRACKET SCREW (72010) (8-18 x 1/4 SELF TAPPING SCREW)
- TIE-WIRE BRACKET (12547)
- JOINER BULKHEAD (A15570-01)

KEY

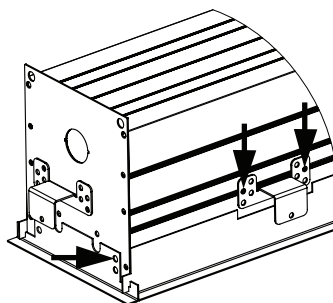


RAIL & CLIP GUIDE

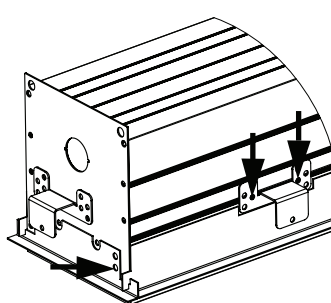
! CHECK RAIL & CLIP POSITIONS BEFORE INSTALLATION. ARROWS INDICATE SCREW POSITIONS. TO CHANGE IN THE FIELD REMOVE AND REINSTALL ACCORDING TO DIAGRAMS BELOW.



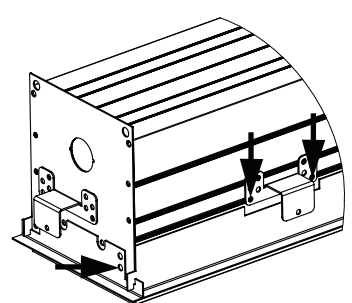
G1: STD 15/16" LAY-IN TILE
G2: STD 9/16" LAY-IN TILE



G4: TALL 15/16" LAY-IN TILE
G5: TALL 9/16" LAY-IN TILE



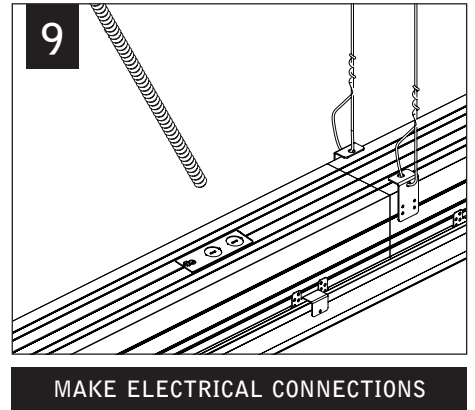
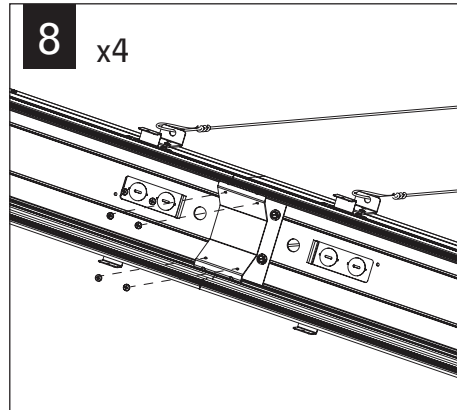
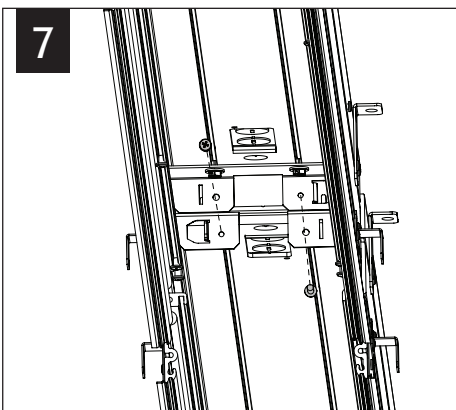
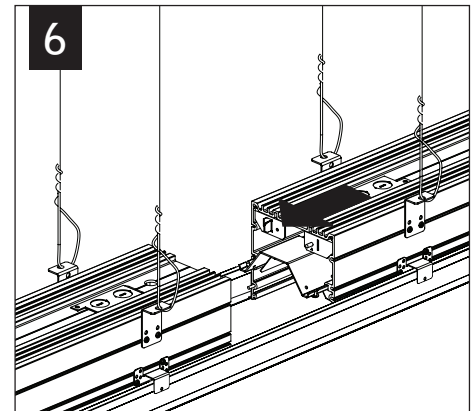
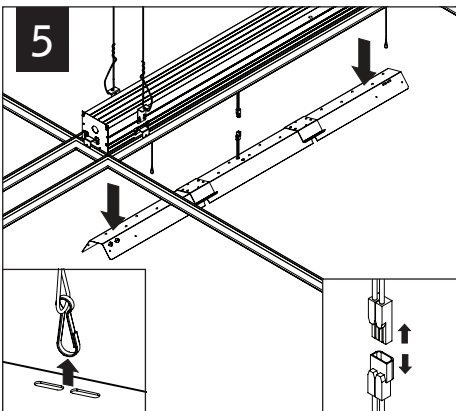
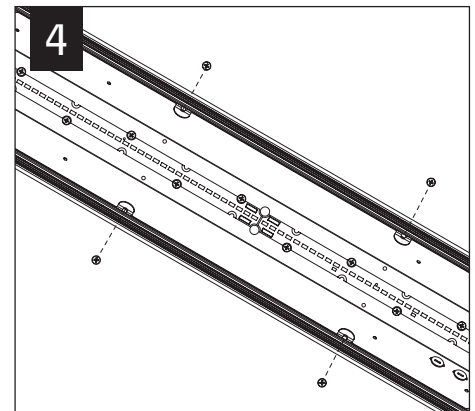
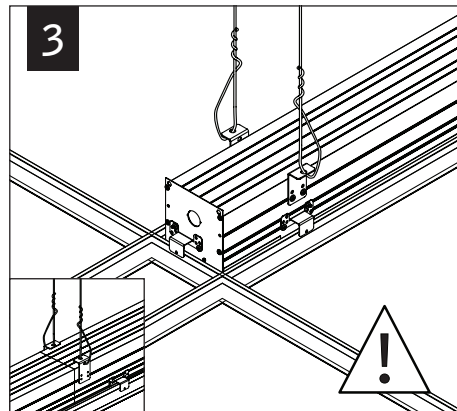
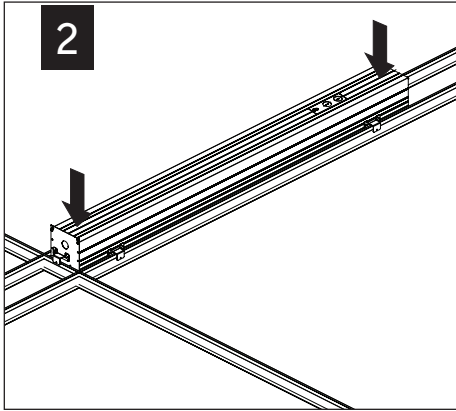
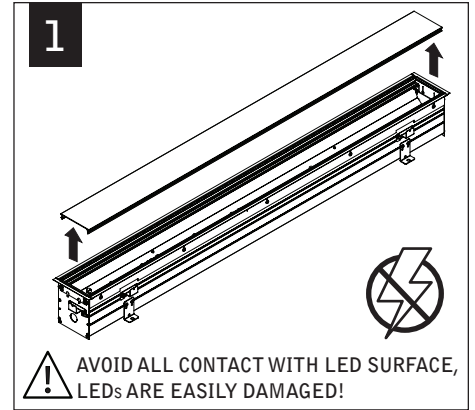
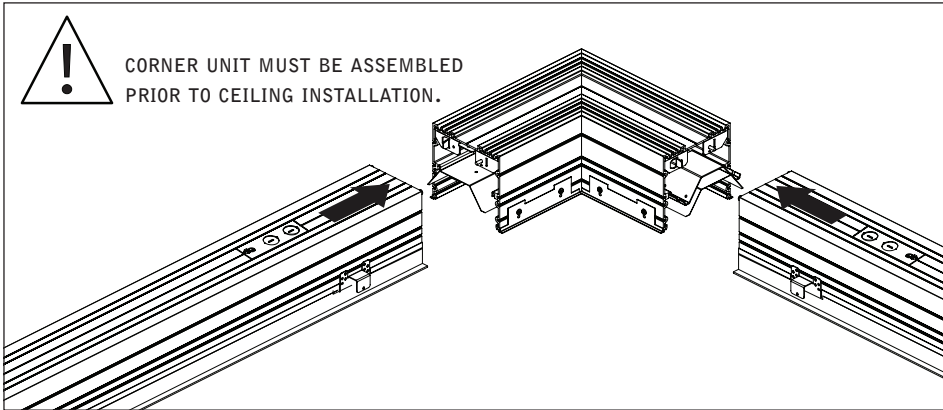
G3: 9/16" SLOT-TEE TEGULAR TILE
T1: STD 15/16" TEGULAR TILE
T2: STD 9/16" TEGULAR TILE
T6: 9/16" NODE TEGULAR TILE



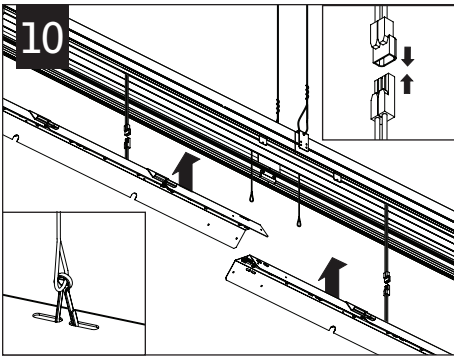
T4: TALL 15/16" TEGULAR TILE
T5: TALL 9/16" TEGULAR TILE

! STD = 1-1/2" TEE HEIGHT, TALL = 1-11/16" TEE HEIGHT

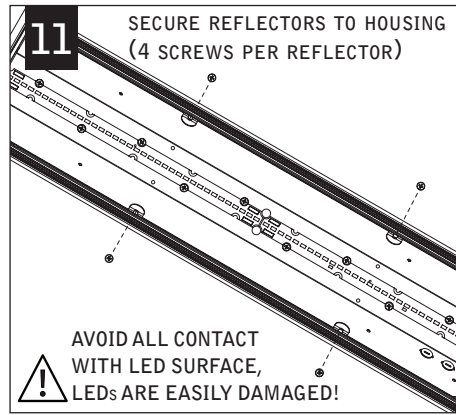
Luminaires must be installed by a qualified electrician (check with local and national codes for proper installation). To prevent electrical shock, disconnect electrical supply before installation or servicing.



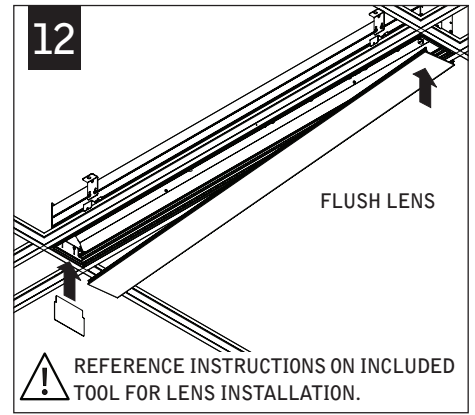
Luminaires must be installed by a qualified electrician (check with local and national codes for proper installation).
To prevent electrical shock, disconnect electrical supply before installation or servicing.



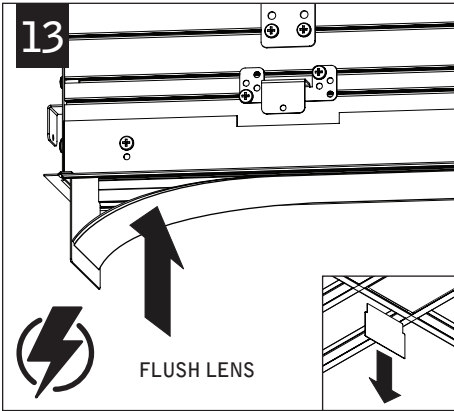
10
MAKE ELECTRICAL CONNECTIONS



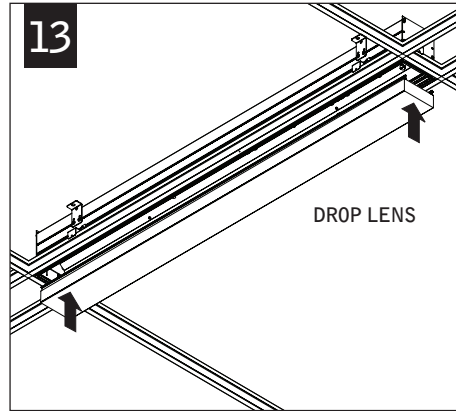
11 SECURE REFLECTORS TO HOUSING (4 SCREWS PER REFLECTOR)
AVOID ALL CONTACT WITH LED SURFACE, LEDs ARE EASILY DAMAGED!



12 FLUSH LENS
REFERENCE INSTRUCTIONS ON INCLUDED TOOL FOR LENS INSTALLATION.

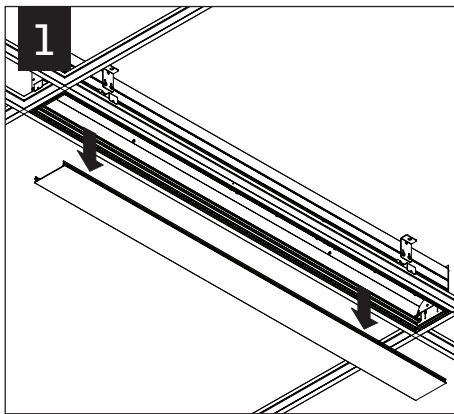


13 FLUSH LENS

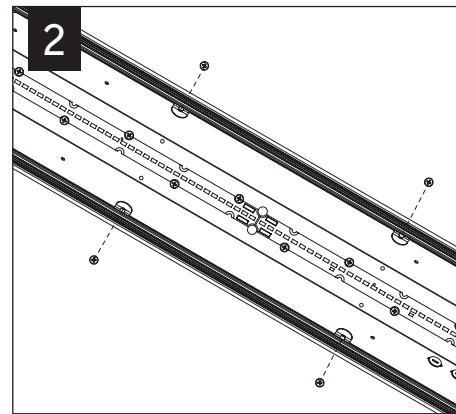


13 DROP LENS

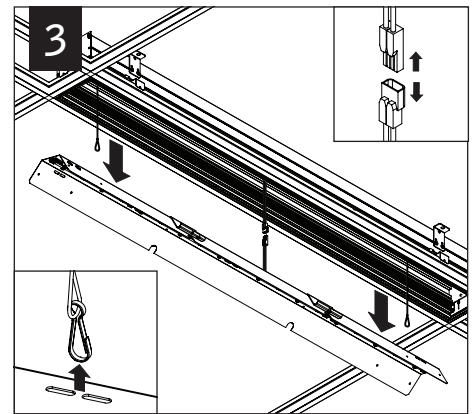
DRIVER SERVICE



1



2



3

EMERGENCY

I

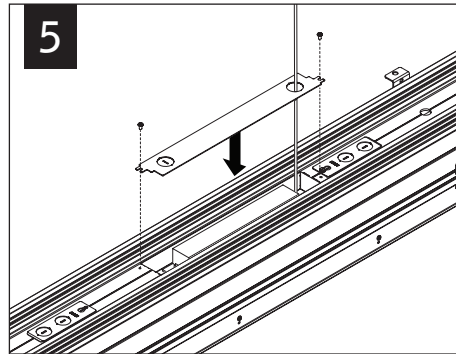
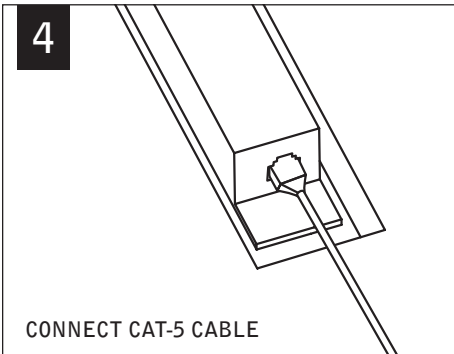
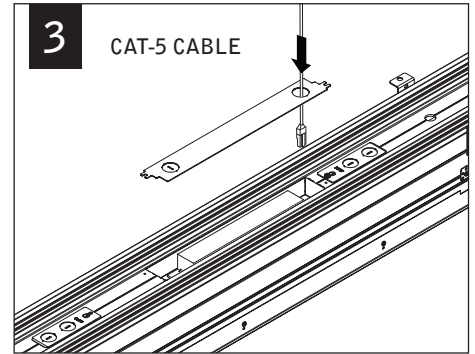
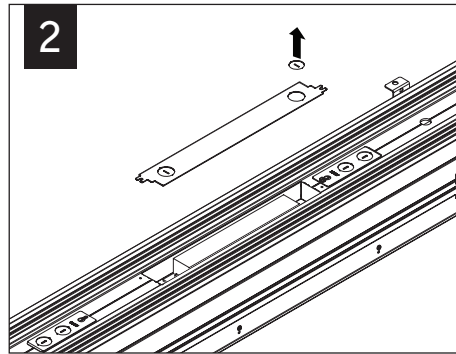
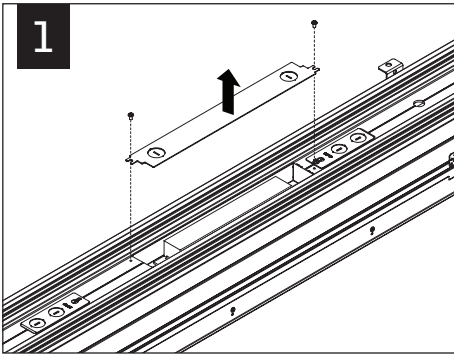
SEE BATTERY MANUFACTURER INSTRUCTIONS

EMERGENCY BATTERY
MAXIMUM MOUNTING HEIGHT: 18.00'

EMERGENCY CIRCUIT
MAXIMUM MOUNTING HEIGHT: 21.00'

Luminaires must be installed by a qualified electrician (check with local and national codes for proper installation).
To prevent electrical shock, disconnect electrical supply before installation or servicing.

ACUITY nLIGHT



WATTSTOPPER

