

Seem[®] 4 LED Asymmetric Angled Lens

grid ceiling

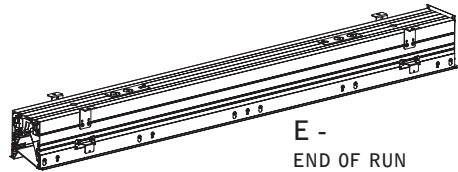
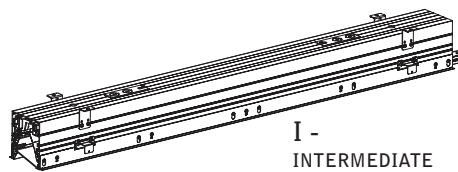
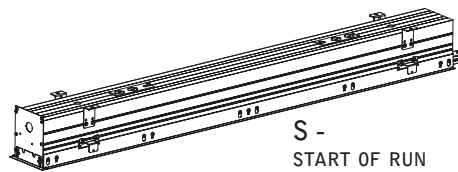
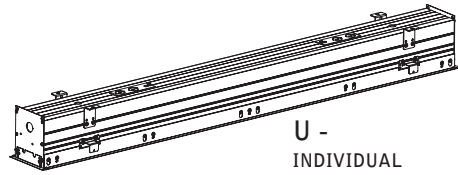
FSM4AL



FOCAL POINT[™]

! CONFIGURATIONS ARE RUN SPECIFIC, PLEASE CONSULT FACTORY DRAWINGS BEFORE BEGINNING INSTALLATION. !

FOCAL POINT



PARTS LISTS

PARTS SHIPPED INSTALLED

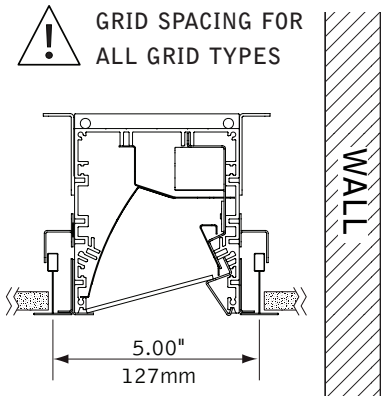
- TIE-WIRE BRACKET SCREW (72010)
(8-18 x 1/4 SELF TAPPING SCREW)
- TIE-WIRE BRACKET (12547)
- JOINER BRACKET (A16274-01)
- JOINER FILLER (A15524-01)
- LOWER JOINER BRACKET (11920)

SHIELDING SHIPPED LOOSE

- FROSTED LENS

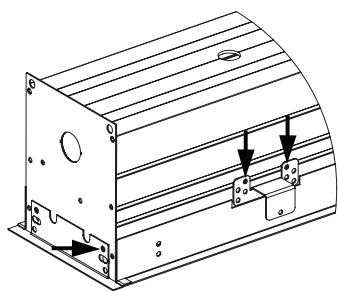
KEY

- POWER OFF
- POWER ON
- ATTENTION

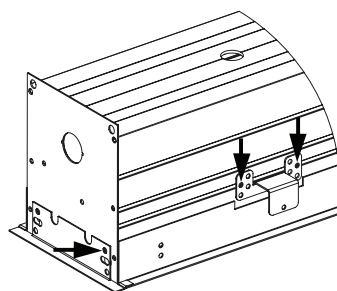


RAIL & CLIP GUIDE

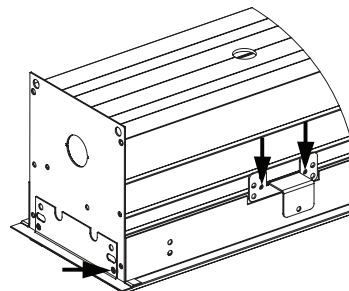
! CHECK RAIL & CLIP POSITIONS BEFORE INSTALLATION. ARROWS INDICATE SCREW POSITIONS. TO CHANGE IN THE FIELD REMOVE AND REINSTALL ACCORDING TO DIAGRAMS BELOW.



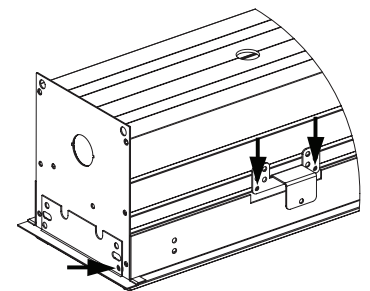
G1: STD 15/16" LAY-IN TILE
G2: STD 9/16" LAY-IN TILE



G4: TALL 15/16" LAY-IN TILE
G5: TALL 9/16" LAY-IN TILE



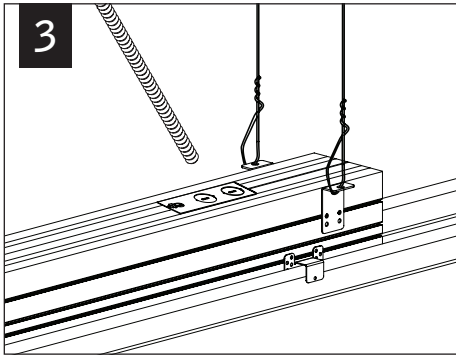
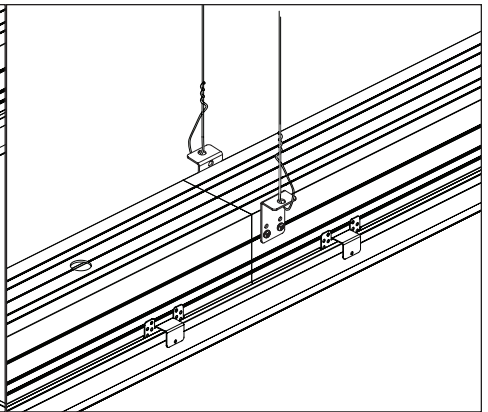
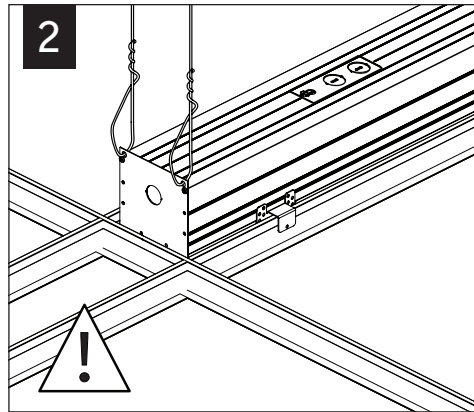
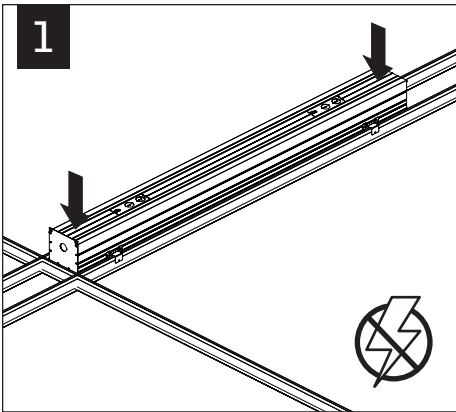
G3: 9/16" SLOT-TEE TEGULAR TILE
T1: STD 15/16" TEGULAR TILE
T2: STD 9/16" TEGULAR TILE
T6: 9/16" NODE TEGULAR TILE



T4: TALL 15/16" TEGULAR TILE

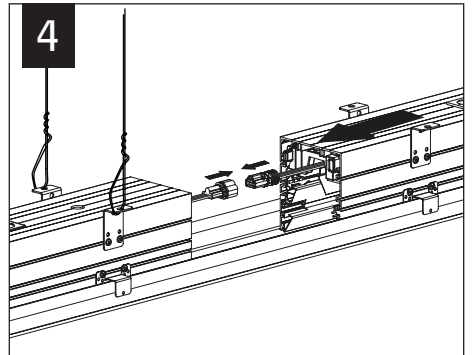
! STD = 1-1/2" TEE HEIGHT, TALL = 1-11/16" TEE HEIGHT

Luminaires must be installed by a qualified electrician (check with local and national codes for proper installation).
To prevent electrical shock, disconnect electrical supply before installation or servicing.



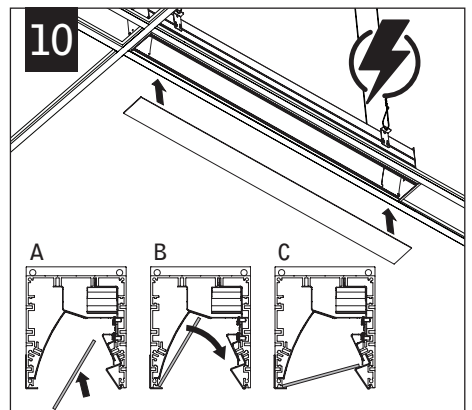
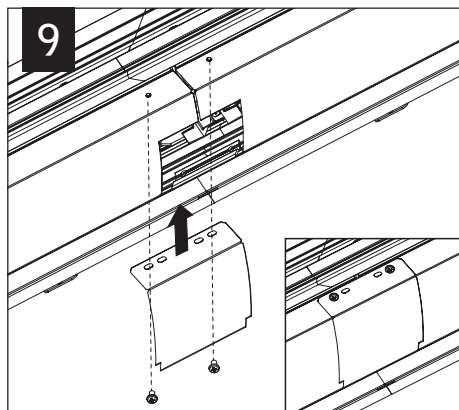
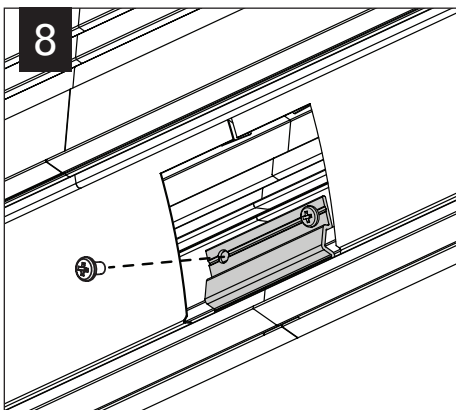
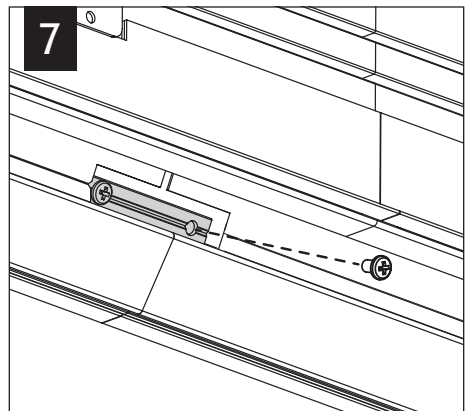
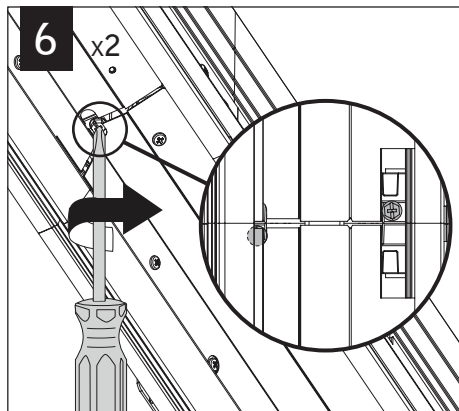
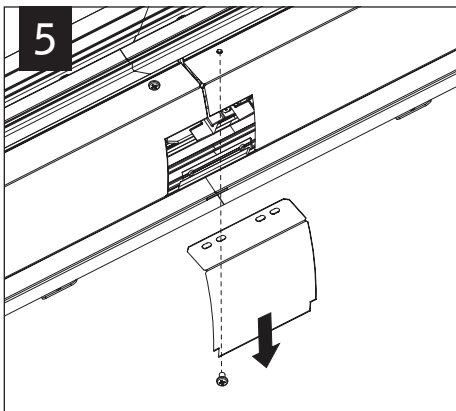
INDIVIDUAL INSTALLATIONS
SKIP TO STEP 10

ROW MOUNT INSTALLATIONS
REPEAT STEPS 4-9 UNTIL
ALL UNITS ARE INSTALLED



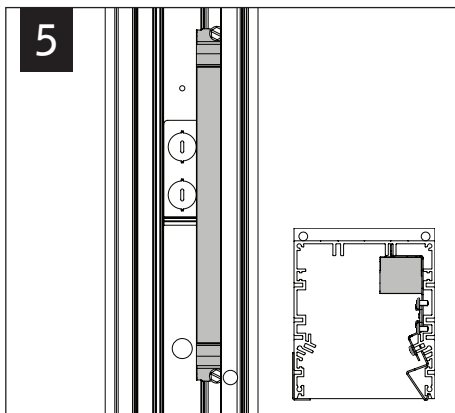
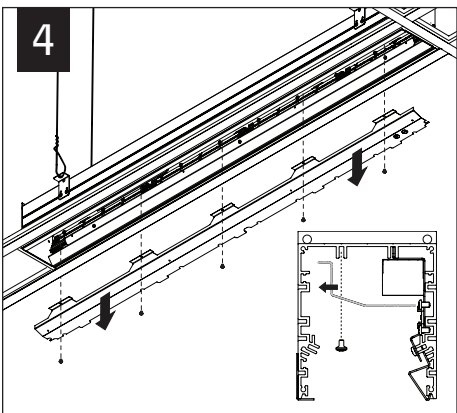
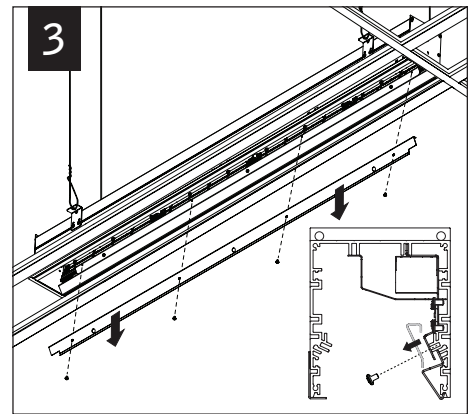
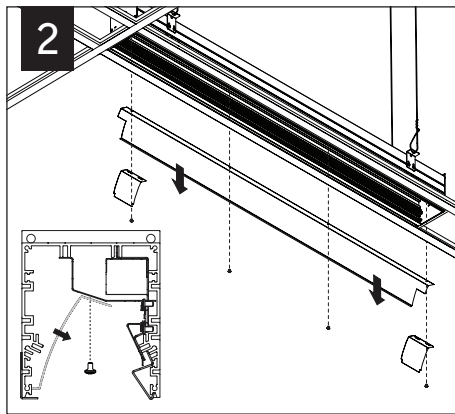
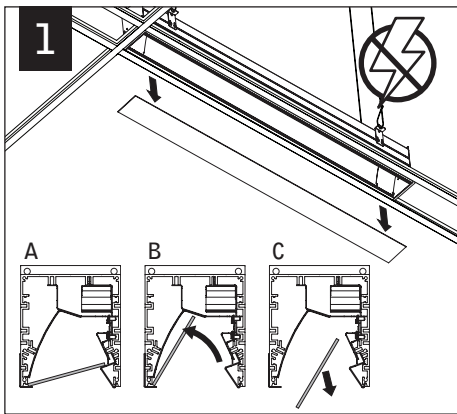
MAKE ELECTRICAL CONNECTIONS

MAKE THRU-WIRE CONNECTIONS



Luminaires must be installed by a qualified electrician (check with local and national codes for proper installation).
To prevent electrical shock, disconnect electrical supply before installation or servicing.

DRIVER SERVICE



Contractor is responsible for adequately reinforcing walls and/or ceilings to support luminaire weight. Focal Point, LLC accepts no responsibility for inadequately reinforced walls and/or ceilings. The information contained in this drawing is the sole property of Focal Point, LLC. Any reproduction in part or whole without the written permission of Focal Point, LLC is prohibited.