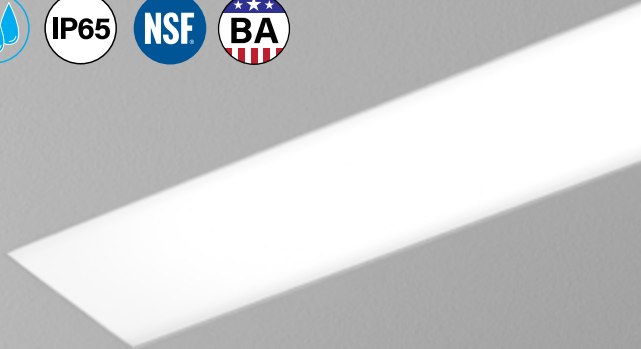
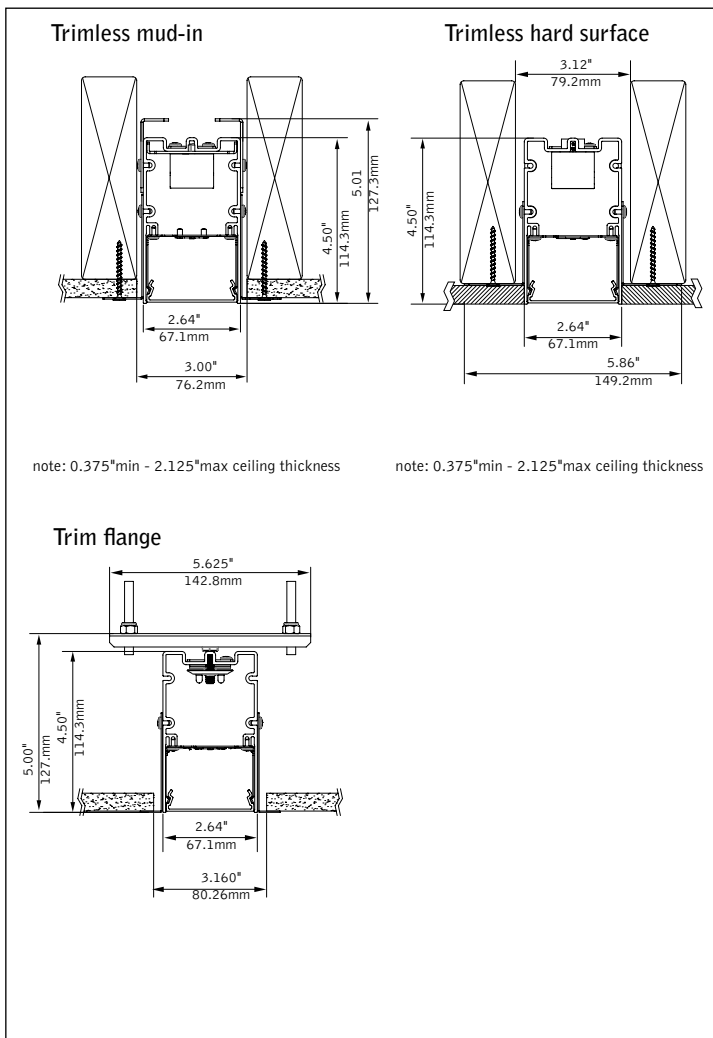


Seem[®] 2

LED - WET LOCATION



DIMENSIONAL DATA



FEATURES

Narrow extruded aluminum 2.5" aperture recessed slot LED suitable for wet location.

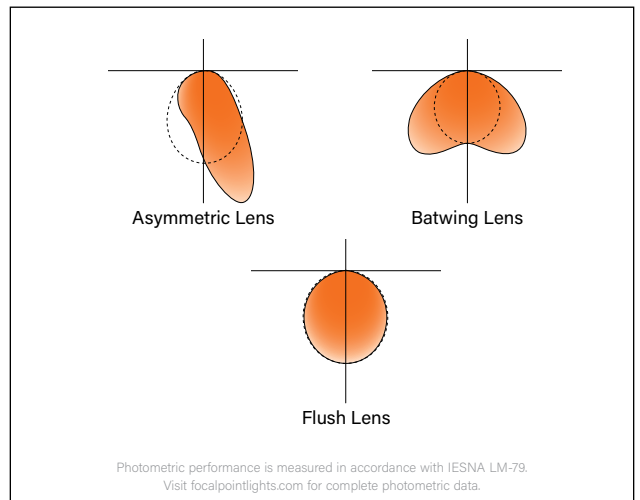
Integrates with ceiling for a clean, unobtrusive aesthetic.

Individual units and continuous runs in 1' increments.

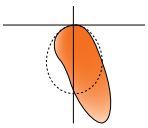
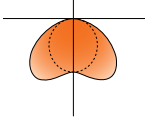
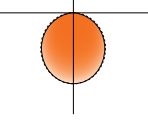
Frosted acrylic lens provides uninterrupted illumination, without pixels or shadows.

LED position and lens material optimized to provide the perfect blend of high performance and visual comfort.

PERFORMANCE



4' PERFORMANCE CHART

Shielding		Lumens per Foot	Delivered Lumens	Tested System Watts	LPW
Asymmetric Lens 		125LF	500	5.9	85
		250LF	1000	8.2	122
		375LF	1500	11.1	135
		500LF	2000	14.5	138
		625LF	2500	17.9	140
		750LF	3000	22.1	136
		875LF	3500	25.9	135
		1000LF	4000	29.8	134
Batwing Lens 		125LF	500	5.5	91
		250LF	1000	8.7	115
		375LF	1500	12.0	125
		500LF	2000	15.5	129
		625LF	2500	20.0	125
		750LF	3000	24.0	125
		875LF	3500	28.1	125
		1000LF	4000	32.4	123
Flush Lens 		125LF	500	5.6	89
		250LF	1000	9.0	111
		375LF	1500	12.4	121
		500LF	2000	16.2	124
		625LF	2500	20.8	120
		750LF	3000	24.9	120
		875LF	3500	29.3	119
		1000LF	4000	33.8	118

Based on 3500k, 80CRI, 4' lengths. Lumen multiplie 90+ CRI = 0.86, Continuous runs = 0.93. Lumen output may vary +/- 5%. Actual wattage may vary +/- 5%.