

Seem™ 2 Indirect

Wall Mount | FSM2IW



FOCAL POINT®

BEFORE YOU BEGIN

- Luminaires must be installed by a qualified electrician (check with local and national codes for proper installation).
- To prevent electrical shock, disconnect electrical supply before installation or servicing.
- Contractor is responsible for adequately reinforcing walls and/or ceilings to support fixture weight.
- Focal Point, LLC accepts no responsibility for inadequately reinforced walls and/or ceilings.
- The information contained in this drawing is the sole property of Focal Point, LLC. Any reproduction in part or whole without the written permission of Focal Point, LLC is prohibited.

INSTRUCTION KEY

ATTENTION

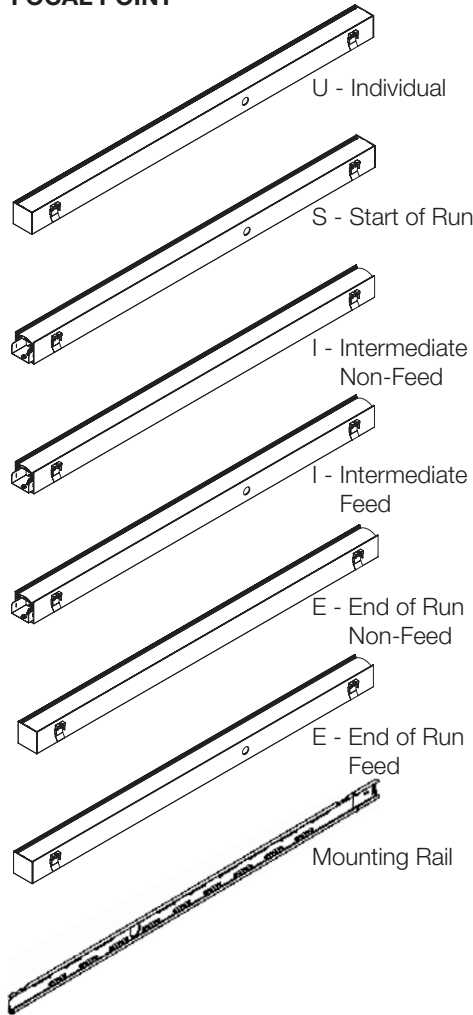
SEE ADDITIONAL INSTRUCTIONS

POWER OFF

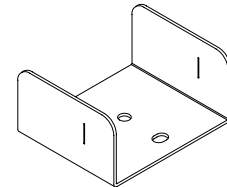
POWER ON

COMPONENT KEY

FOCAL POINT



SHIPPED INSTALLED



Joiner Bracket (A53548-01)

SHIPPED IN HARDWARE BAG



Mounting Screw (700322)
(2 per luminaire)

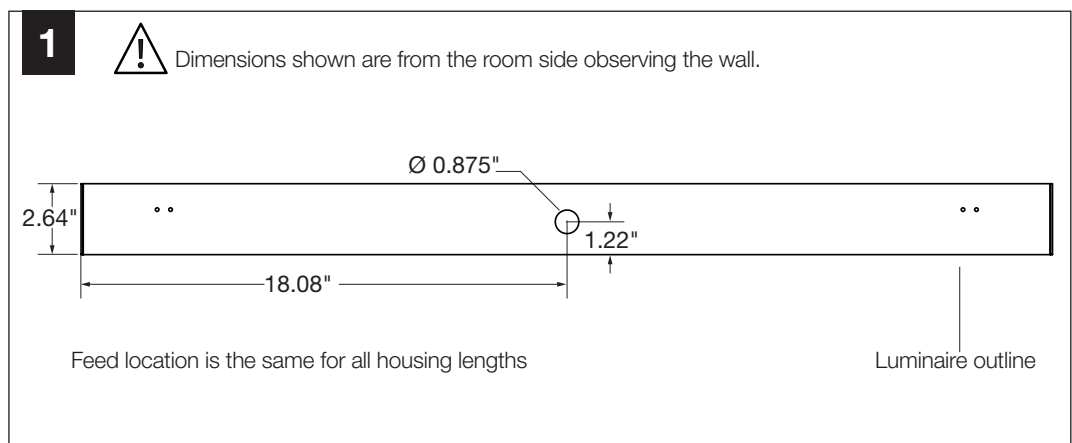
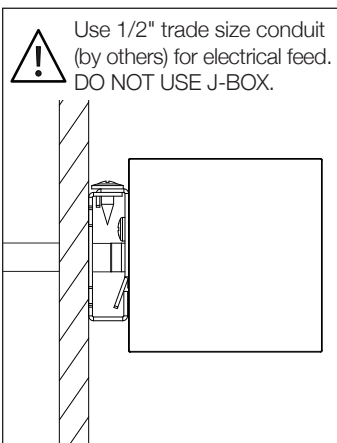


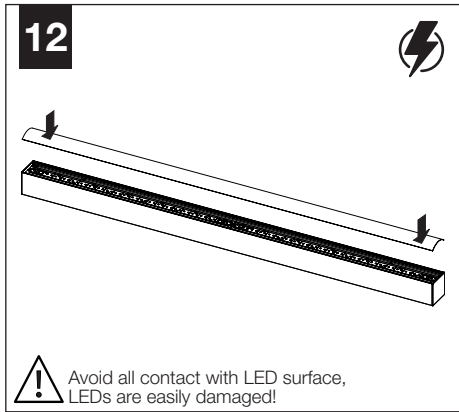
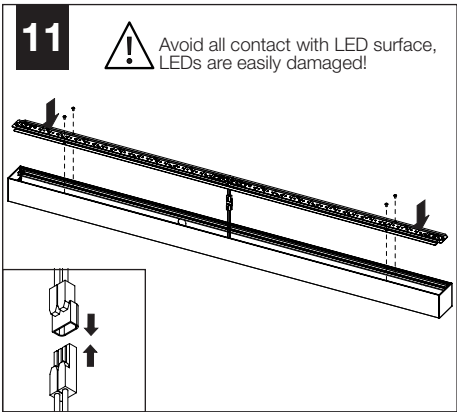
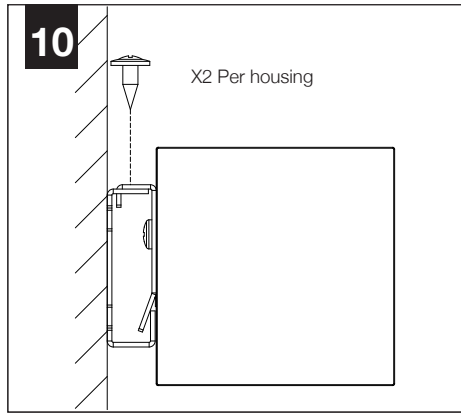
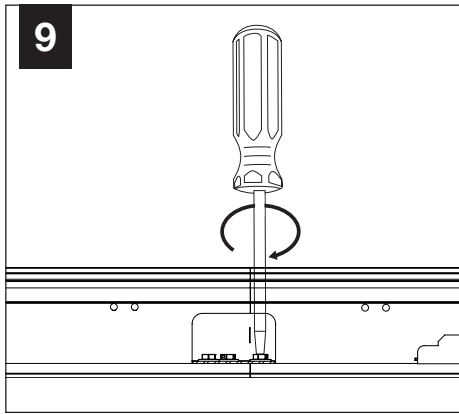
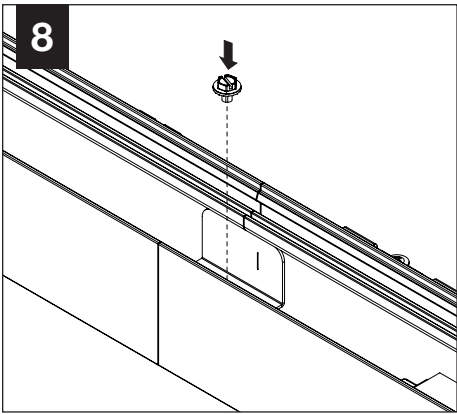
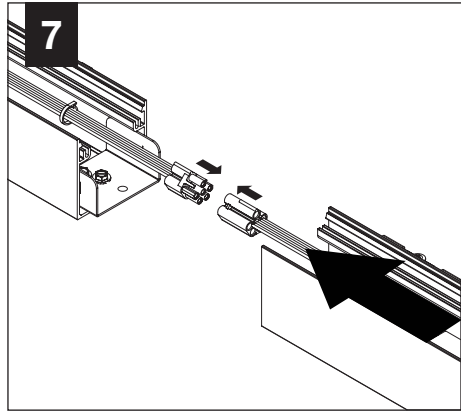
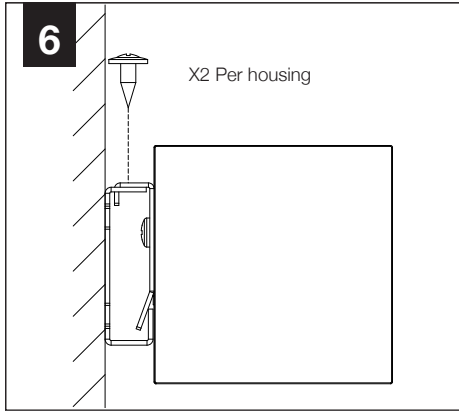
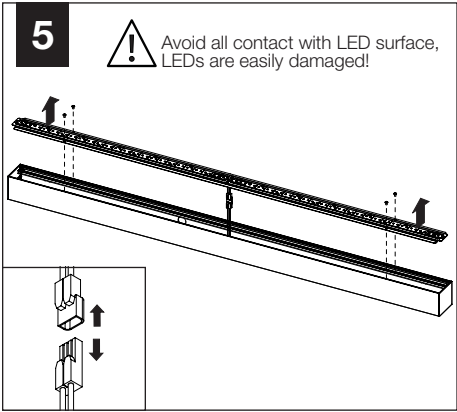
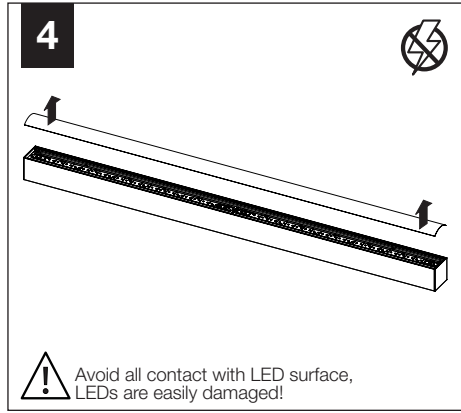
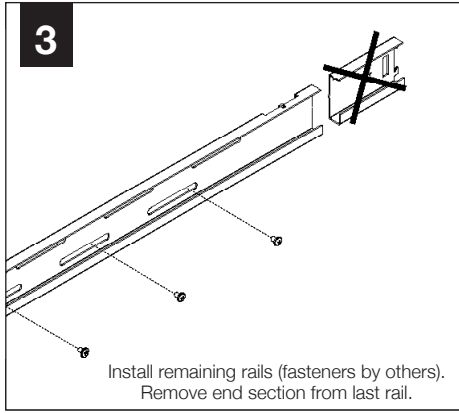
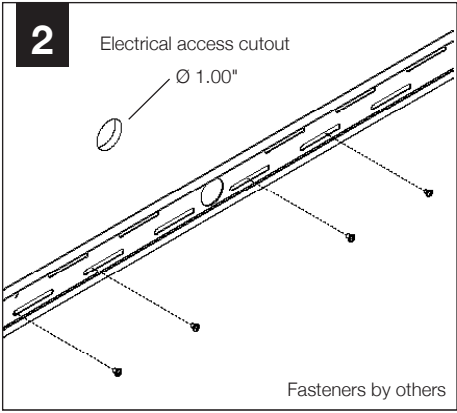
Joiner Screw (72118)



Configurations are run specific, please consult factory drawings before beginning installation.

INDIVIDUAL UNIT INSTALLATION FOLLOW STEPS 1-6, 11 & 12





DRIVER SERVICE

