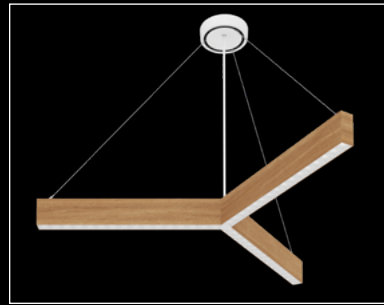
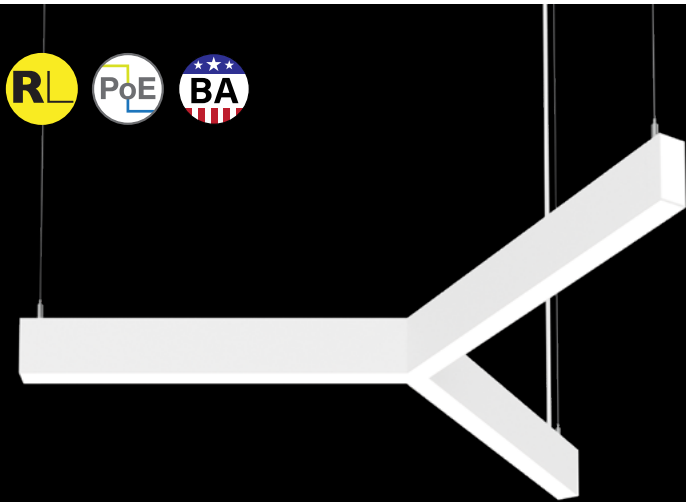
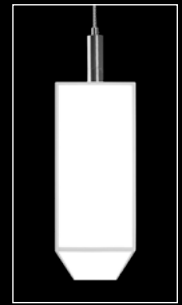


Seem® 1 Trio

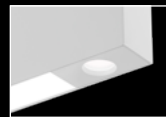
LED DIRECT PENDANT



The Naturals Collection - Chestnut with Clear Specular louver shown



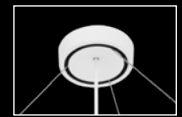
Lit end cap detail



Point Source ends detail

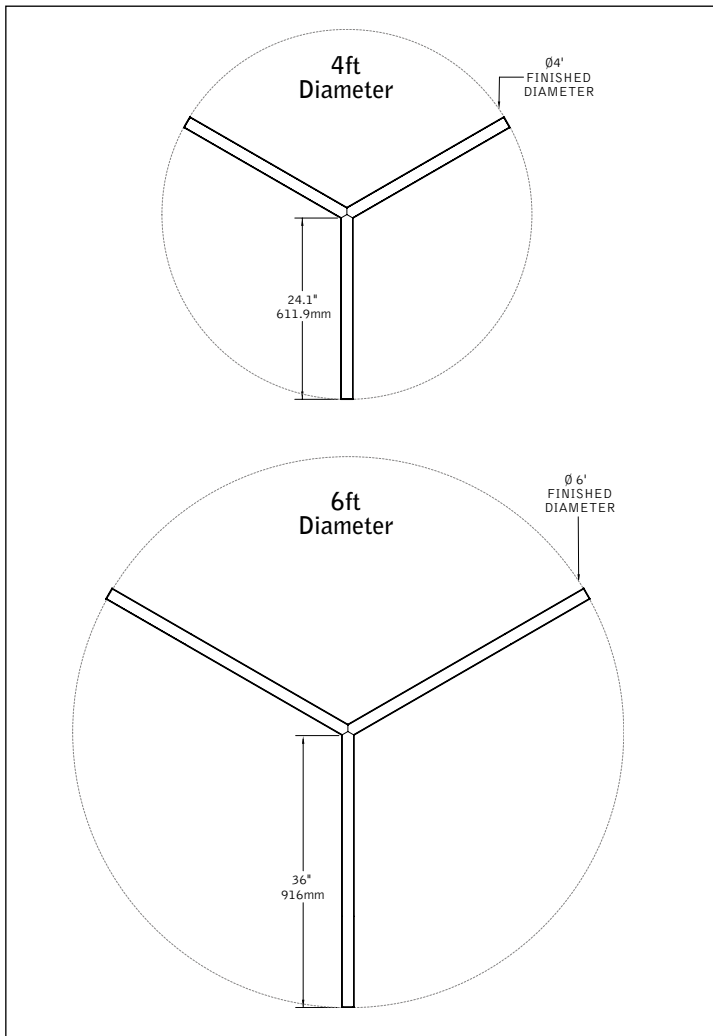


louver detail



Single point canopy detail

DIMENSIONAL DATA



FEATURES

Narrow 1.5" extruded aluminum 'Y' shaped recessed LED luminaire with multiple shielding options.

Individual 4' or 6' diameter units in lens, louver or integrated point source downlight configurations.

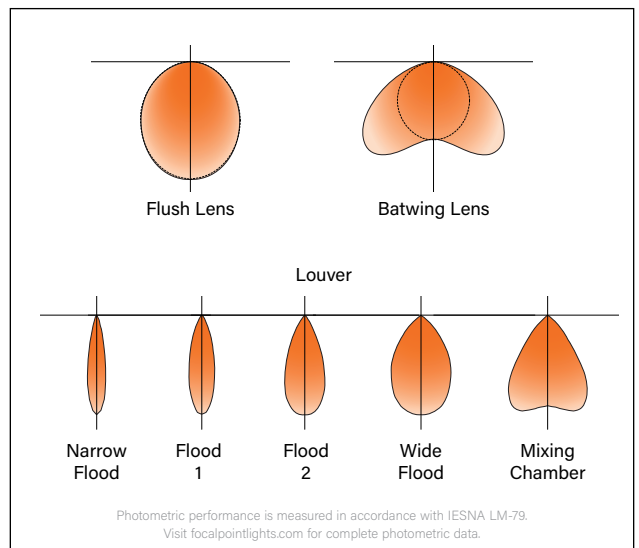
Deeply regressed louver cells provide 60° cut-off from light source to promote visual comfort.

Choice of point source downlight output levels to meet a wide variety of application needs.

PoE compatible: Integrates with Power over Ethernet lighting systems via standard, low-voltage wires.

Available with The Naturals, a series of finishes that exude biophilic beauty.

DISTRIBUTIONS

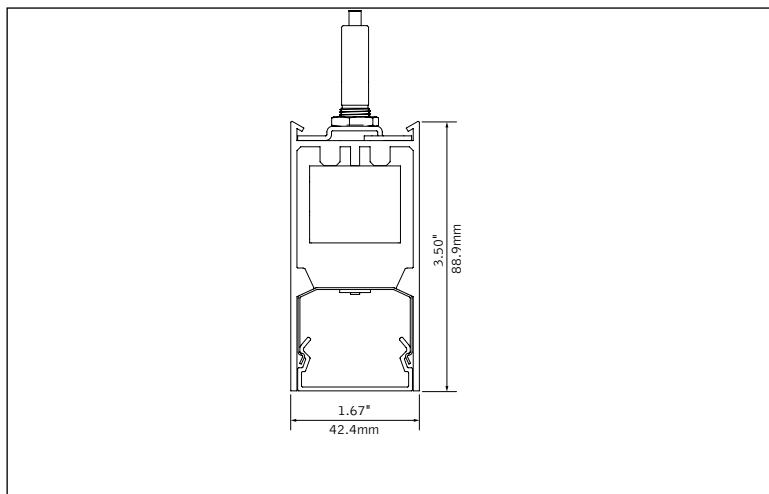


Photometric performance is measured in accordance with IESNA LM-79. Visit focalpointlights.com for complete photometric data.

fixture:

project:

STANDARD LENS DIMENSIONAL DATA

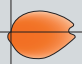


STANDARD LENS PERFORMANCE CHART

| Size | Lumen Output | Tested System Watts | BW | | FL | |
|------|--------------|---------------------|------------------|-----|------------------|-----|
| | | | Delivered lumens | LPW | Delivered lumens | LPW |
| 4' | 750 | 9 | 810 | 87 | 767 | 92 |
| | 1500 | 15 | 1586 | 97 | 1503 | 102 |
| | 2250 | 23 | 2363 | 97 | 2240 | 103 |
| | 3000 | 30 | 3183 | 99 | 3017 | 105 |
| | 3750 | 37 | 3959 | 101 | 3753 | 106 |
| 6' | 1125 | 12 | 1198 | 99 | 1135 | 93 |
| | 2250 | 23 | 2363 | 103 | 2240 | 97 |
| | 3375 | 34 | 3571 | 106 | 3385 | 100 |
| | 4500 | 44 | 4736 | 108 | 4489 | 103 |
| | 5625 | 55 | 5944 | 109 | 5634 | 103 |

Based on 3500K. Lumen multipliers: 90 CRI = 0.87. Delivered lumens may vary +/- 5%. Actual wattage may vary +/- 5%

LIT END CAP PERFORMANCE CHART

| Lumen Output | | Delivered Lumens Per End Cap |  |
|--------------|------|------------------------------|---|
| 4' | 6' | | |
| 750 | 1125 | 28 | |
| 1500 | 2250 | 56 | |
| 2250 | 3375 | 83 | |
| 3000 | 4500 | 112 | |
| 3750 | 5625 | 139 | |

Based on 3500K. Lumen multipliers: 90 CRI = 0.87. Delivered lumens may vary +/- 5%. Actual wattage may vary +/- 5%

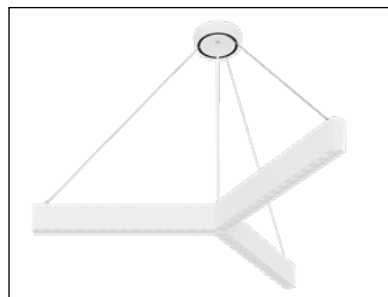
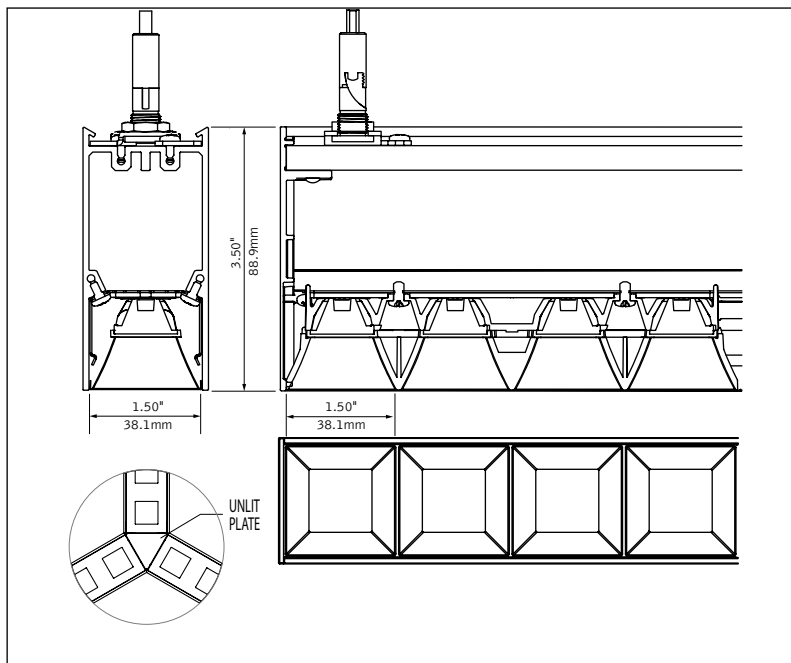
STANDARD LENS ORDERING

| | | |
|--|------------------|---------------|
| Luminaire Series | | FSM1FP |
| Seem 1 Pendant | FSM1FP | |
| Profile | | T |
| Trio | T | |
| Nominal Size | | |
| 4' Diameter (2' arms) | 4 | |
| 6' Diameter (3' arms) | 6 | |
| Shielding | | |
| Batwing Lens | BW | |
| Flush Lens | FL | |
| Lumen Output | | |
| 4' Diameter | 750 Lumens | 750DN |
| | 1500 Lumens | 1500DN |
| | 2250 Lumens | 2250DN |
| | 3000 Lumens | 3000DN |
| | 3750 Lumens | 3750DN |
| 6' Diameter | 1125 Lumens | 1125DN |
| | 2250 Lumens | 2250DN |
| | 3375 Lumens | 3375DN |
| | 4500 Lumens | 4500DN |
| | 5625 Lumens | 5625DN |
| Color Temperature | | |
| 2700K, 80+ CRI or 90+ CRI | 27K or 927K | |
| 3000K, 80+ CRI or 90+ CRI | 30K or 930K | |
| 3500K, 80+ CRI or 90+ CRI | 35K or 935K | |
| 4000K, 80+ CRI or 90+ CRI | 40K or 940K | |
| Circuits | | 1C |
| Single Circuit | 1C | |
| Voltage | | |
| 120/277 UNV Volt | UNV | |
| 347 Volt (LD1 driver only) | 347 | |
| Low Voltage | LV | |
| Control System & Dimming Level | | |
| 0-10V - 10% Dimming | LD1 | |
| 0-10V - 1% Dimming | L11 | |
| Low Voltage, PoE compatible <small>(No driver. Not available with EM or EC. LV Voltage only.)</small> | LVN | |
| Lutron Hi-Lume EcoSystem (LDE1) - | | |
| 1% Dimming | LH1 | |
| DALI 1% Dimming | D11 | |
| Mounting | | |
| <small>(Specify canopy color, see finishes page for options. The Naturals available with Multi-point suspension only. Example: White = J24WH.)</small> | | |
| 48" Cable Single Suspension <small>(Power cord at intersection CC or power cord at end CE)</small> | CC48__ or CE48__ | |
| 96" Cable Single Suspension <small>(Power cord at intersection CC or power cord at end CE)</small> | CC96__ or CE96__ | |
| 24" Cable Multi-point Suspension | J24__ | |
| 48" Cable Multi-point Suspension | J48__ | |
| 96" Cable Multi-point Suspension <small>(Consult factory for sloped ceiling applications.)</small> | J96__ | |
| Surface Mount | SM | |
| Factory Options | | |
| Black Cord | BKCD | |
| Lit End Caps <small>(FL shielding only. Not available with The Naturals. Not recommended with Black housing.)</small> | LE | |
| Emergency Circuit | EC | |
| Emergency Battery Pack (120/277 Volt only) | EM | |
| Housing Finish <small>(See finishes page for The Naturals options)</small> | | |
| Matte Black | BK | |
| Titanium Silver | TS | |
| Matte White | WH | |

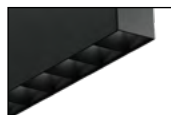
fixture:

project:

LOUVER DIMENSIONAL DATA



4' Single Canopy, Matte White housing and louver



Black Specular Louver



Matte Black Louver



Matte White Louver



Clear Diffuse Louver



Center detail



Emergency detail



Clear Specular Louver

LOUVER DISTRIBUTIONS

| | NFL | FL1 | FL2 | WFL | LMC |
|------------------|------|------|------|------|------|
| Beam Spread | 20° | 29° | 43° | 67° | 68° |
| Spacing Criteria | 0.36 | 0.50 | 0.70 | 0.98 | 1.18 |

PERFORMANCE CHART

See page 6

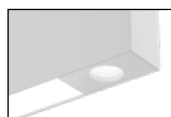
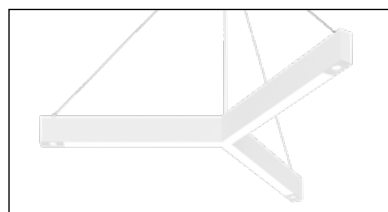
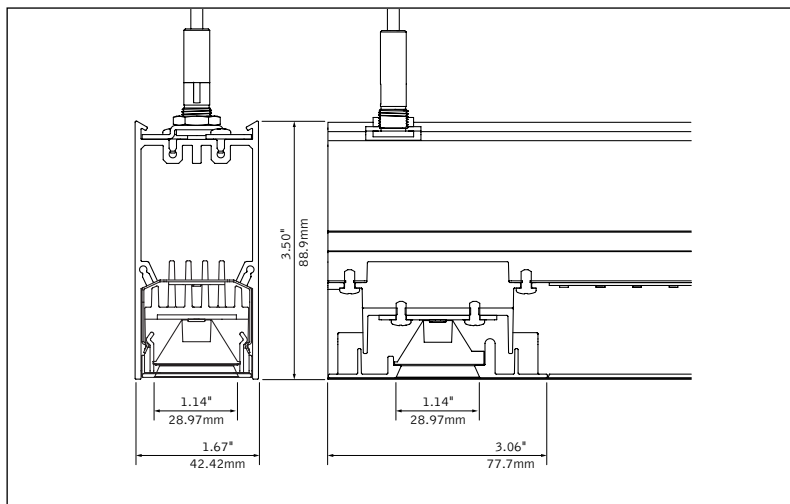
LOUVER ORDERING

| | Luminaire Series | FSM1FP |
|-------------|---|----------------|
| | Seem 1 Pendant | FSM1FP |
| | Profile | T |
| | Trio | T |
| | Nominal Size | |
| | 4' Diameter (2' arms) | 4 |
| | 6' Diameter (3' arms) | 6 |
| | Shielding | LC |
| | Louver only | LC |
| | Lumen Output | |
| 4' Diameter | 1500 Lumens | 1500DL |
| | 2250 Lumens | 2250DL |
| | 3000 Lumens | 3000DL |
| | 3750 Lumens | 3750DL |
| | 4500 Lumens | 4500DL |
| | 6000 Lumens | 6000DL |
| 6' Diameter | 2250 Lumens | 2250DL |
| | 3375 Lumens | 3375DL |
| | 4500 Lumens | 4500DL |
| | 5625 Lumens | 5625DL |
| | 6750 Lumens | 6750DL |
| | 9000 Lumens | 9000DL |
| | Color Temperature | |
| | 2700K, 80+ CRI or 90+ CRI | 27K or 927K |
| | 3000K, 80+ CRI or 90+ CRI | 30K or 930K |
| | 3500K, 80+ CRI or 90+ CRI | 35K or 935K |
| | 4000K, 80+ CRI or 90+ CRI | 40K or 940K |
| | Circuits | 1C |
| | Single Circuit | 1C |
| | Voltage | |
| | 120/277 UNV Volt | UNV |
| | 347 Volt (LD1 driver only) | 347 |
| | Low Voltage | LV |
| | Control System & Dimming Level | |
| | 0-10V - 10% Dimming | LD1 |
| | 0-10V - 1% Dimming | L11 |
| | Low Voltage, PoE compatible <small>(No driver. Not available with EM or EC. LV Voltage only.)</small> | LVN |
| | Lutron Hi-Lume EcoSystem (LDE1) - 1% Dimming | LH1 |
| | DALI 1% Dimming | D11 |
| | Mounting <small>(Specify canopy color, see finishes page for options. The Naturals available with Multi-point suspension only. Example: White = J24WH.)</small> | |
| | 48" Cable Single Suspension <small>(Power cord at intersection CC or power cord at end CE)</small> | CC48_ or CE48_ |
| | 96" Cable Single Suspension <small>(Power cord at intersection CC or power cord at end CE)</small> | CC96_ or CE96_ |
| | 24" Cable Multi-point Suspension | J24_ |
| | 48" Cable Multi-point Suspension | J48_ |
| | 96" Cable Multi-point Suspension <small>(Consult factory for sloped ceiling applications.)</small> | J96_ |
| | Surface Mount | SM |
| | Louver Distribution | |
| | Narrow Flood | NFL |
| | Flood 1 | FL1 |
| | Flood 2 | FL2 |
| | Wide Flood | WFL |
| | Louvered Mixing Chamber | LMC |
| | Factory Options | |
| | Black Cord | BKCD |
| | Emergency Circuit | EC |
| | Emergency Battery Pack (120/277 Volt only) | EM |
| | Louver Finish | |
| | Matte Black | BK |
| | Black Specular | BS |
| | Clear Diffuse | CD |
| | Clear Specular | CS |
| | Matte White | WH |
| | Housing & Faceplate Finish <small>(See finishes page for The Naturals options)</small> | |
| | Matte Black | BK |
| | Titanium Silver | TS |
| | Matte White | WH |

fixture:

project:

POINT SOURCE DIMENSIONAL DATA



Matte White



Matte Black

PERFORMANCE CHART (LENSED AREA)

| Size | Lumen Output | Tested System Watts | BW | | FL | |
|------|--------------|---------------------|------------------|-----|------------------|-----|
| | | | Delivered lumens | LPW | Delivered lumens | LPW |
| 4' | 660 | 8 | 680 | 89 | 645 | 84 |
| | 1320 | 14 | 1414 | 101 | 1340 | 96 |
| | 1980 | 20 | 2104 | 105 | 1994 | 100 |
| | 2640 | 27 | 2794 | 104 | 2648 | 99 |
| | 3300 | 33 | 3485 | 105 | 3303 | 100 |
| 6' | 1035 | 11 | 1112 | 97 | 1054 | 92 |
| | 2070 | 21 | 2190 | 106 | 2076 | 100 |
| | 3105 | 31 | 3269 | 105 | 3098 | 100 |
| | 4140 | 41 | 4347 | 106 | 4121 | 101 |
| | 5175 | 50 | 5469 | 109 | 5184 | 103 |

Based on 3500K. Lumen multipliers: 90 CRI = 0.87. Delivered lumens may vary +/- 5%. Actual wattage may vary +/- 5%

PERFORMANCE CHART (POINT SOURCE)

| Distribution | Beamspread | Point Source Lumens | Delivered Lumens | Tested Watts | LPW |
|--------------------|------------|---------------------|------------------|--------------|------|
| Narrow Flood (NFL) | 21° | 250L | 258 | 3.4 | 76.9 |
| | | 350L | 360 | 4.5 | 79.6 |
| | | 450L | 457 | 5.7 | 80.5 |
| Flood 1 (FL1) | 28° | 250L | 254 | 3.4 | 75.6 |
| | | 350L | 354 | 4.5 | 78.3 |
| | | 450L | 450 | 5.7 | 79.2 |
| Flood 2 (FL2) | 42° | 250L | 249 | 3.4 | 74.1 |
| | | 350L | 346 | 4.5 | 76.7 |
| | | 450L | 441 | 5.7 | 77.5 |
| Wide Flood (WFL) | 53° | 250L | 242 | 3.4 | 72.1 |
| | | 350L | 337 | 4.5 | 74.6 |
| | | 450L | 429 | 5.7 | 75.5 |

Based on 3500K. Lumen output may vary +/- 5%. Actual wattage may vary +/- 5%

Focal Point LLC reserves the right to change specifications for product improvement without notification.

POINT SOURCE ORDERING

| Luminaire Series | | FSM1FP |
|--|----------------|----------|
| Seem 1 Pendant | FSM1FP | |
| Profile | | T |
| Trio | T | |
| Nominal Size | | |
| 4' Diameter (2' arms) | 4 | |
| 6' Diameter (3' arms) | 6 | |
| Shielding | | |
| Batwing Lens + Point Source Ends | BWPSE | |
| Flush Lens + Point Source Ends | FLPSE | |
| Point Source Lumens | | |
| 250 Lumens | 250L | |
| 350 Lumens | 350L | |
| 450 Lumens | 450L | |
| Point Source Distribution | | |
| Narrow Flood | NFL | |
| Flood 1 | FL1 | |
| Flood 2 | FL2 | |
| Wide Flood | WFL | |
| Lensed Lumen Output | | |
| 4' Diameter | 660 Lumens | 660DN |
| | 1320 Lumens | 1320DN |
| | 1980 Lumens | 1980DN |
| | 2640 Lumens | 2640DN |
| | 3300 Lumens | 3300DN |
| 6' Diameter | 1035 Lumens | 1035DN |
| | 2070 Lumens | 2070DN |
| | 3105 Lumens | 3105DN |
| | 4140 Lumens | 4140DN |
| | 5175 Lumens | 5175DN |
| Color Temperature | | |
| 2700K, 80+ CRI or 90+ CRI | 27K or 927K | |
| 3000K, 80+ CRI or 90+ CRI | 30K or 930K | |
| 3500K, 80+ CRI or 90+ CRI | 35K or 935K | |
| 4000K, 80+ CRI or 90+ CRI | 40K or 940K | |
| Circuits | | |
| Single Circuit | 1C | |
| Dual Circuit | 2C | |
| <small>(Independent control of Lens & Point Source distributions)</small> | | |
| Voltage | | |
| 120/277 UNV Volt | UNV | |
| 347 Volt (LD1 driver only) | 347 | |
| Low Voltage | LV | |
| Control System & Dimming Level | | |
| 0-10V - 10% Dimming | LD1 | |
| 0-10V - 1% Dimming | L11 | |
| Low Voltage, PoE compatible | LVN | |
| <small>(No driver. Not available with EM or EC. LV Voltage only.)</small> | | |
| Lutron Hi-Lume EcoSystem (LDE1) - 1% Dimming | | |
| 1% Dimming | LH1 | |
| DALI 1% Dimming | D11 | |
| Mounting | | |
| <small>(Specify canopy color, see finishes page for options. The Naturals available with Multi-point suspension only. Example: White = J24WH.)</small> | | |
| 48" Cable Single Suspension | CC48_ or CE48_ | |
| <small>(Power cord at intersection CC or power cord at end CE)</small> | | |
| 96" Cable Single Suspension | CC96_ or CE96_ | |
| <small>(Power cord at intersection CC or power cord at end CE)</small> | | |
| 24" Cable Multi-point Suspension | J24_ | |
| 48" Cable Multi-point Suspension | J48_ | |
| 96" Cable Multi-point Suspension | J96_ | |
| <small>(Consult factory for sloped ceiling applications.)</small> | | |
| Surface Mount | SM | |
| Factory Options | | |
| Black Cord | BKCD | |
| Emergency Circuit | EC | |
| <small>(Not available with cable single suspension)</small> | | |
| Emergency Battery Pack (120/277 Volt only) | EM | |
| Housing & Faceplate Finish | | |
| Matte Black | BK | |
| Titanium Silver | TS | |
| Matte White | WH | |

SPECIFICATIONS

LED System

Proprietary linear LED module incorporates premium LEDs on a robust platform to achieve excellent thermal management. LEDs are placed to promote a uniform appearance. Available in 2700K, 3000K, 3500K or 4000K with both 80 and 90 CRI options. 3500K and 4000K with CRI>90 have a cyanosis observation index (COI) of 3.3 or less. LED modules and drivers are replaceable from below. Color accuracy <3 SDCM.

Construction

Extruded aluminum housing. Cast aluminum end caps. Luminaire will not exceed 16lbs.

Optic

Reflectors fabricated of 22 Ga. steel finished in High Reflectance White powder coat. Extruded acrylic lens .07" thick with frosted finish. 60-degree cut-off to louvered light source and its image.

Electrical

Luminaires are pre-wired with factory installed branch circuit wiring and over-molded quick connects. Standard 120-277V constant current driver includes 0-10V analog dimming. Power factor > .9. PoE compatible: Integrates with Power over Ethernet lighting systems via standard, low-voltage wires. PoE runs require an independent PoE node and power feed for each luminaire section.

Emergency Battery

Emergency output - 10 watts for 90 minutes. Maximum mounting height: 18.5ft.

Labels

UL and cUL listed. Suitable for Dry or Damp Locations, indoor use only.

Finish

Polyester powder coat applied over a multi-stage pre-treatment. Canopy and cord white as standard. The Naturals: 100% low VOC vinyl.

Lumen Maintenance

Lensed Source

Reported: L70 at >61,000 hours
L90 at >61,000 hours

Calculated: L70 at 470,000 hours
L90 at 115,000 hours

Louvered Sources

Reported: L70 at >54,000 hours
L90 at 43,000 hours

Calculated: L70 at 138,000 hours
L90 at 43,000 hours

Point Sources

Reported: L70 at >55,000 hours
L90 at 54,000 hours

Calculated: L70 at 226,000 hours
L90 at 54,000 hours

Derived from EPA TM-21 calculator. Based on typical conditions, consult factory for additional data.

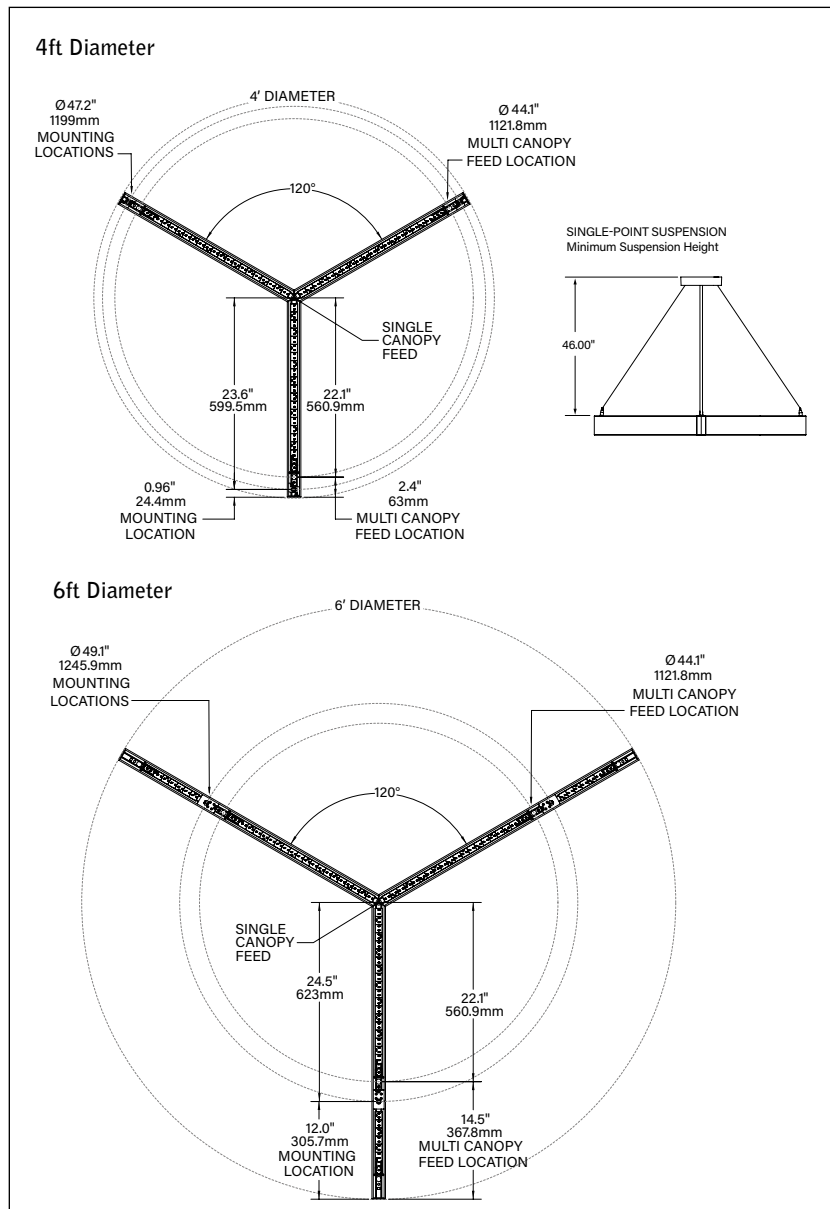
Reliability

At Focal Point, our products are designed to stand the test of time. Each luminaire is engineered using superior components, manufactured with the utmost care and rigorously tested. Contact us for reliability data.

Warranty

LED system rated for operation in ambient environments up to 25°C. 5-year limited warranty.

MOUNTING DETAILS



Declare.

Seem Linear Luminaires Focal Point, LLC

Final Assembly: Chicago, IL, USA

Life Expectancy: 10 Year(s)

End of Life Options: Recyclable (55%), Landfill (45%)

Ingredients:

Aluminum Alloy 6063; UNS G10080 Steel Alloy; Small Electrical Components - RoHS Compliant¹; Copper; Polymethyl methacrylate; Steel; Poly[imino(1,6-dioxo-1,6-hexanediy)]imino-1,6-hexanediy]; Polyvinyl chloride; Aluminum Alloy 6061; UNS S30400 Stainless Steel Alloy; Steel manufacture, chemicals; 2-Propenoic acid, 2-methyl-, methyl ester, polymer with ethyl 2-propenoate; Nylon 6; Benzene, ethenyl-, homopolymer, brominated; Bis(pentabromophenyl) ether (decabromodiphenyl ether) (DecaBDE); Tris(2-ethylhexyl) trimellitate; Zinc; Methyl methacrylate; Antimony oxide (Antimony trioxide); Kaolin, calcined; Octadecanoic acid, calcium salt; Steel, carbon

¹LBC Temp Exception RL-002 - Small Electrical Components

Living Building Challenge Criteria:

I-13 Red List:

LBC Red List Free % Disclosed: 100% at 100ppm
 LBC Red List Approved VOC Content: Not Applicable
 Declared

I-10 Interior Performance: Not Applicable

I-14 Responsible Sourcing: Not Applicable

FPL-0003
 EXP. 01 FEB 2027
 Original Issue Date: 2024

MANUFACTURED BY FOCAL POINT, LLC
 INTERNATIONAL LIVING FUTURE INSTITUTE™ living-future.org/declare

Declare label applies to lensed shielding ordering codes BW & FL only.

LOUVERED PERFORMANCE CHART

| Size | Lumen Output | Tested System Watts | NFL | | FL1 | | FL2 | | WFL | | LMC | |
|------|--------------|---------------------|------------------|-----|------------------|-----|------------------|-----|------------------|-----|------------------|-----|
| | | | Delivered Lumens | LPW | Delivered Lumens | LPW | Delivered Lumens | LPW | Delivered Lumens | LPW | Delivered Lumens | LPW |
| 4' | 1500 | 15.4 | 2028 | 132 | 1726 | 112 | 1830 | 119 | 1509 | 98 | 1460 | 95 |
| | 2250 | 21.0 | 2999 | 143 | 2552 | 122 | 2707 | 129 | 2233 | 106 | 2159 | 103 |
| | 3000 | 29.0 | 4134 | 142 | 3518 | 121 | 3732 | 129 | 3078 | 106 | 2977 | 103 |
| | 3750 | 35.5 | 5170 | 146 | 4400 | 124 | 4667 | 131 | 3849 | 108 | 3722 | 105 |
| | 4500 | 41.5 | 6110 | 147 | 5200 | 125 | 5515 | 133 | 4548 | 110 | 4399 | 106 |
| | 5250 | 47.4 | 7041 | 149 | 5992 | 127 | 6355 | 134 | 5241 | 111 | 5069 | 107 |
| | 6000 | 53.8 | 8046 | 150 | 6847 | 127 | 7263 | 135 | 5990 | 111 | 5793 | 108 |
| 6' | 2250 | 22.8 | 3042 | 133 | 2588 | 113 | 2745 | 120 | 2264 | 99 | 2190 | 96 |
| | 3375 | 31.6 | 4499 | 142 | 3829 | 121 | 4061 | 128 | 3349 | 106 | 3239 | 102 |
| | 4500 | 42.5 | 6202 | 146 | 5278 | 124 | 5598 | 132 | 4617 | 109 | 4465 | 105 |
| | 5625 | 51.6 | 7755 | 150 | 6600 | 128 | 7000 | 136 | 5773 | 112 | 5584 | 108 |
| | 6750 | 60.4 | 9165 | 152 | 7799 | 129 | 8273 | 137 | 6823 | 113 | 6599 | 109 |
| | 7875 | 70.0 | 10561 | 151 | 8988 | 128 | 9533 | 136 | 7862 | 112 | 7604 | 109 |
| | 9000 | 82.8 | 12069 | 146 | 10271 | 124 | 10894 | 132 | 8985 | 108 | 8690 | 105 |

Based on 3500K, 80 CRI. Delivered lumens may vary +/- 5%. Actual wattage may vary +/- 5%

Louver Color Temperature & CRI

| Color Temperature | Multiplier |
|-----------------------|------------|
| 2700K, 80+ CRI [27K] | 0.95 |
| 2700K, 90+ CRI [927K] | 0.80 |
| 3000K, 80+ CRI [30K] | 0.97 |
| 3000K, 90+ CRI [930K] | 0.83 |
| 3500K, 80+ CRI [35K] | 1.00 |
| 3500K, 90+ CRI [935K] | 0.85 |
| 4000K, 80+ CRI [40K] | 1.03 |
| 4000K, 90+ CRI [940K] | 0.87 |

Louver Finish

| Color | Multiplier |
|---------------------|------------|
| Matte Black [BK] | 1.00 |
| Black Specular [BS] | 1.00 |
| Clear Diffuse [CD] | 1.07 |
| Clear Specular [CS] | 1.10 |
| Matte White [WH] | 1.11 |

Louver Distribution

| Distribution | Multiplier |
|-------------------------------|------------|
| Narrow Flood [NFL] | 1.34 |
| Flood 1 [FL1] | 1.14 |
| Flood 2 [FL2] | 1.21 |
| Wide Flood [WFL] | 1.00 |
| Louvered Mixing Chamber [LMC] | 0.97 |

How To Use Lumen Multipliers

Formula: (Lumen Output Value) x (Color Temperature & CRI) x (Distribution) x (Finish)

Finishes

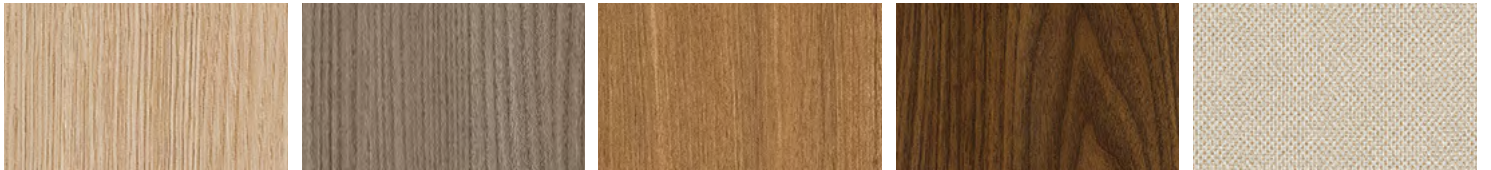


STANDARD FINISHES



WHITE WH BLACK BK TITANIUM SILVER TS

THE NATURALS (25% SCALE)



LIGHT OAK LOK GRAY ELM GRE CHESTNUT CHT WALNUT WLT WOVEN LINEN WLN