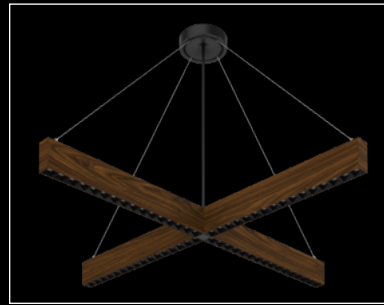
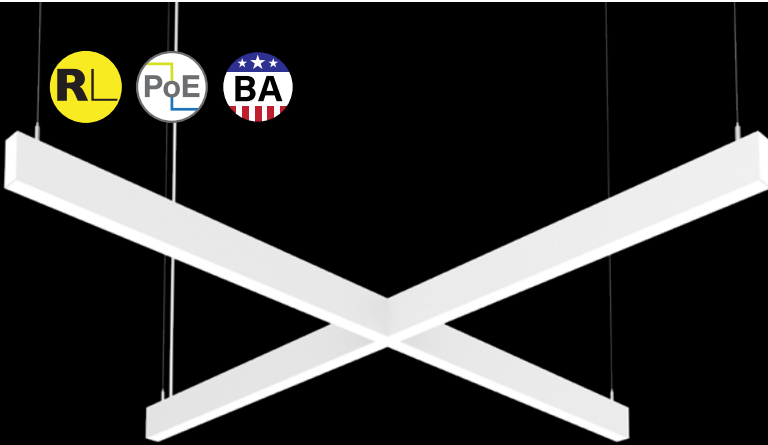
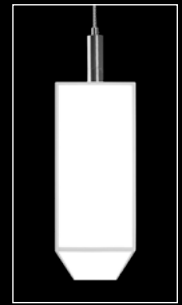


# Seem® 1 Quartet

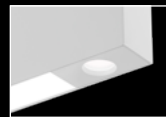
LED DIRECT PENDANT



The Naturals Collection - Walnut with Black Matte louver shown



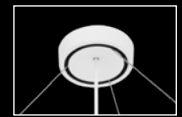
Lit end cap detail



Point Source ends detail

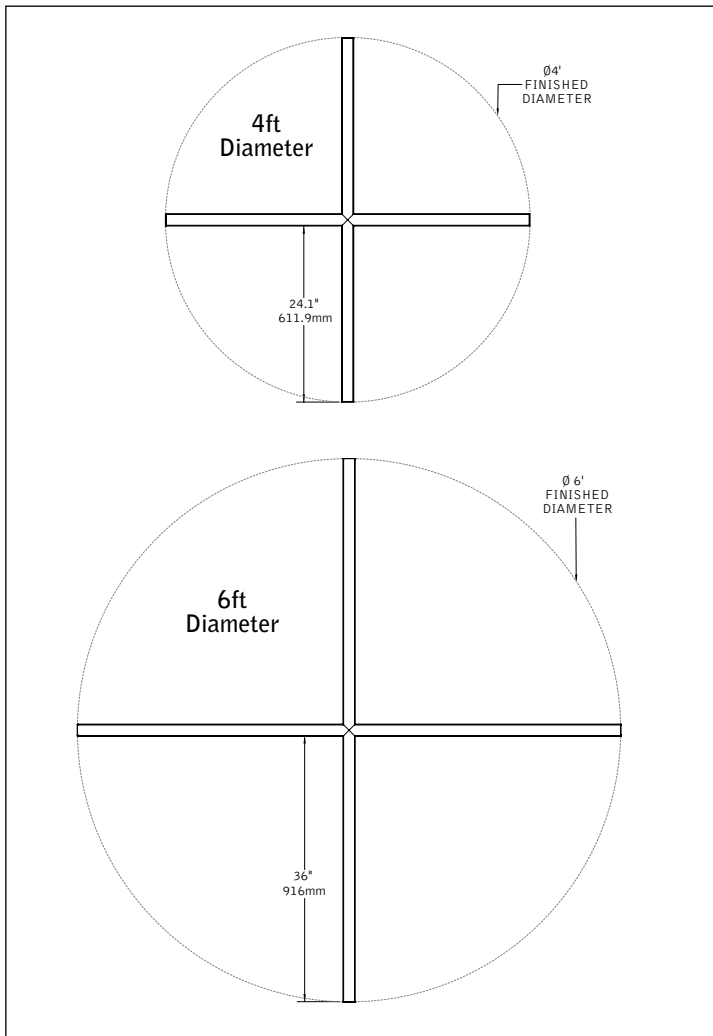


louver detail



Single point canopy detail

## DIMENSIONAL DATA



## FEATURES

Narrow 1.5" extruded aluminum 'X' shaped suspended direct LED luminaire with multiple shielding options.

Individual 4' or 6' diameter units in lens, louver or integrated point source downlight configurations.

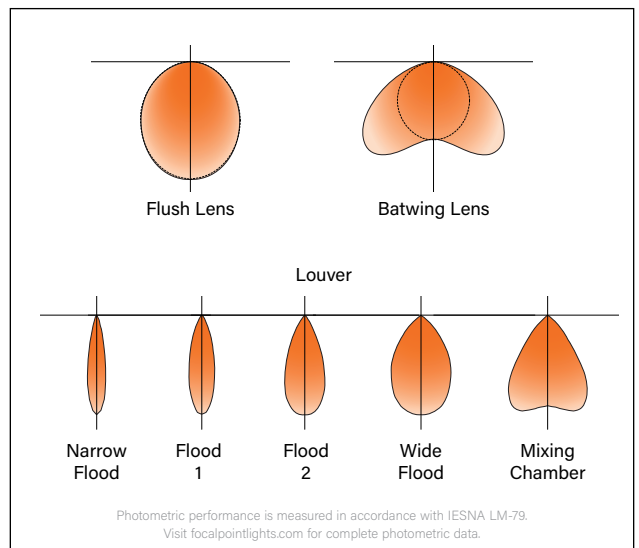
Deeply regressed louver cells provide 60° cut-off from light source to promote visual comfort.

Choice of point source downlight output levels to meet a wide variety of application needs.

PoE compatible: Integrates with Power over Ethernet lighting systems via standard, low-voltage wires.

Available with The Naturals, a series of finishes that exude biophilic beauty.

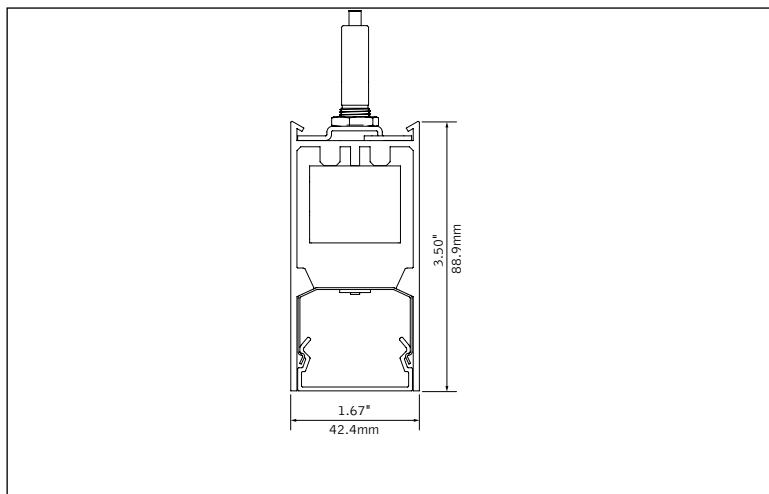
## DISTRIBUTIONS



fixture:

project:

**STANDARD LENS DIMENSIONAL DATA**



**STANDARD LENS PERFORMANCE CHART**

Size	Lumen Output	Tested System Watts	BW		FL	
			Delivered lumens	LPW	Delivered lumens	LPW
4'	1000	11	1068	97	1013	92
	2000	20	2104	105	1994	100
	3000	30	3183	105	3017	99
	4000	40	4218	106	3998	101
	5000	49	5297	109	5020	103
6'	1500	15	1586	102	1503	97
	3000	30	3183	105	3017	99
	4500	44	4736	108	4489	103
	6000	58	6332	109	6002	104
	7500	72	7928	110	7515	104

Based on 3500K. Lumen multipliers: 90 CRI = 0.87. Delivered lumens may vary +/- 5%. Actual wattage may vary +/- 5%

**LIT END CAP PERFORMANCE CHART**

Direct Lumen Output		Delivered Lumens Per End Cap
4'	6'	
1000	1500	28
2000	3000	55
3000	4500	84
4000	6000	111
5000	7500	139

Based on 3500K. Lumen multipliers: 90 CRI = 0.87. Delivered lumens may vary +/- 5%. Actual wattage may vary +/- 5%

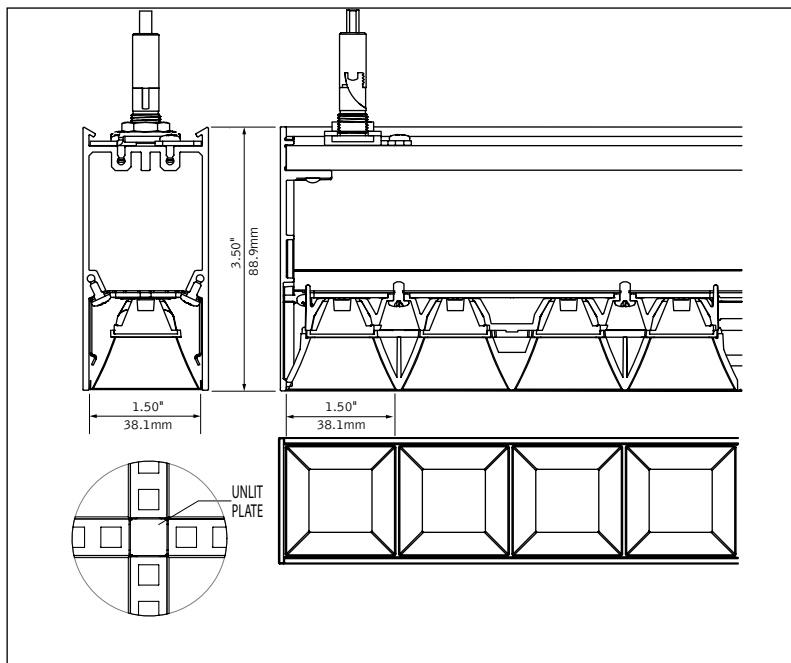
**STANDARD LENS ORDERING**

<b>Luminaire Series</b>		<b>FSM1FP</b>
Seem 1 Pendant	FSM1FP	
<b>Profile</b>		<b>Q</b>
Quartet	Q	
<b>Nominal Size</b>		
4' Diameter (2' arms)	4	
6' Diameter (3' arms)	6	
<b>Shielding</b>		
Batwing Lens	BW	
Flush Lens	FL	
<b>Lumen Output</b>		
4' Diameter	1000 Lumens	1000DN
	2000 Lumens	2000DN
	3000 Lumens	3000DN
	4000 Lumens	4000DN
	5000 Lumens	5000DN
6' Diameter	1500 Lumens	1500DN
	3000 Lumens	3000DN
	4500 Lumens	4500DN
	6000 Lumens	6000DN
	7500 Lumens	7500DN
<b>Color Temperature</b>		
2700K, 80+ CRI or 90+ CRI	27K or 927K	
3000K, 80+ CRI or 90+ CRI	30K or 930K	
3500K, 80+ CRI or 90+ CRI	35K or 935K	
4000K, 80+ CRI or 90+ CRI	40K or 940K	
<b>Circuits</b>		<b>1C</b>
Single Circuit	1C	
<b>Voltage</b>		
120/277 UNV Volt	UNV	
347 Volt (LD1 driver only)	347	
Low Voltage	LV	
<b>Control System &amp; Dimming Level</b>		
0-10V - 10% Dimming	LD1	
0-10V - 1% Dimming	L11	
Low Voltage, PoE compatible <small>(No driver. Not available with EM or EC. LV Voltage only.)</small>	LVN	
Lutron Hi-Lume EcoSystem (LDE1) - 1% Dimming	LH1	
DALI 1% Dimming	D11	
<b>Mounting</b>		
<small>(Specify canopy color, see finishes page for options. The Naturals available with Multi-point suspension only. Example: White = J24WH.)</small>		
48" Cable Single Suspension <small>(Power cord at intersection CC or power cord at end CE)</small>	CC48__ or CE48__	
96" Cable Single Suspension <small>(Power cord at intersection CC or power cord at end CE)</small>	CC96__ or CE96__	
24" Cable Multi-point Suspension	J24__	
48" Cable Multi-point Suspension	J48__	
96" Cable Multi-point Suspension <small>(Consult factory for sloped ceiling applications.)</small>	J96__	
Surface Mount	SM	
<b>Factory Options</b>		
Black Cord	BKCD	
Lit End Caps <small>(FL shielding only. Not available with The Naturals. Not recommended with Black housing.)</small>	LE	
Emergency Circuit	EC	
Emergency Battery Pack <small>(120/277 Volt only.)</small>	EM	
<b>Housing Finish</b> <small>(See finishes page for The Naturals options)</small>		
Matte Black	BK	
Titanium Silver	TS	
Matte White	WH	

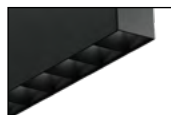
fixture:

project:

**LOUVER DIMENSIONAL DATA**



4' Single Canopy, Matte Black housing and Black Specular louver



Black Specular Louver



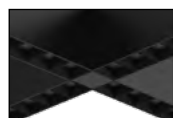
Matte Black Louver



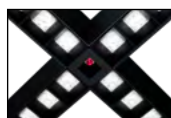
Matte White Louver



Clear Diffuse Louver



Center detail



Emergency detail



Clear Specular Louver

**LOUVER DISTRIBUTIONS**

	NFL	FL1	FL2	WFL	LMC
Beam Spread	20°	29°	43°	67°	68°
Spacing Criteria	0.36	0.50	0.70	0.98	1.18

**PERFORMANCE CHART**

See page 6

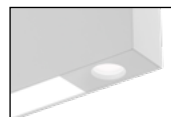
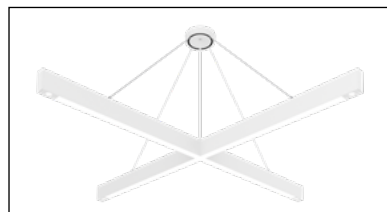
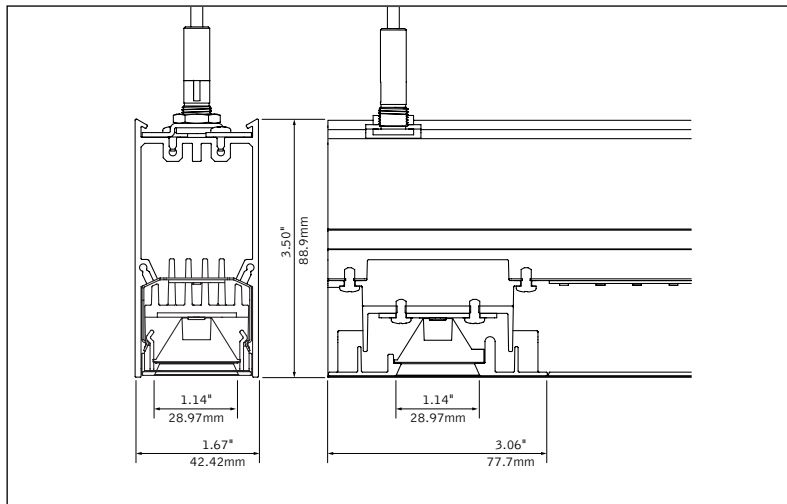
**LOUVER ORDERING**

		FSM1FP
<b>Luminaire Series</b>		
Seem 1 Pendant	FSM1FP	
<b>Profile</b>		<b>Q</b>
Quartet	Q	
<b>Nominal Size</b>		
4' Diameter (2' arms)	4	
6' Diameter (3' arms)	6	
<b>Shielding</b>		<b>LC</b>
Louver only	LC	
<b>Lumen Output</b>		
4' Diameter	2000 Lumens	2000DL
	3000 Lumens	3000DL
	4000 Lumens	4000DL
	5000 Lumens	5000DL
	6000 Lumens	6000DL
	7000 Lumens	7000DL
	8000 Lumens	8000DL
	6' Diameter	3000 Lumens
4500 Lumens		4500DL
6000 Lumens		6000DL
7500 Lumens		7500DL
9000 Lumens		9000DL
10500 Lumens		10500DL
12000 Lumens		12000DL
<b>Color Temperature</b>		
2700K, 80+ CRI or 90+ CRI	27K or 927K	
3000K, 80+ CRI or 90+ CRI	30K or 930K	
3500K, 80+ CRI or 90+ CRI	35K or 935K	
4000K, 80+ CRI or 90+ CRI	40K or 940K	
<b>Circuits</b>		<b>1C</b>
Single Circuit	1C	
<b>Voltage</b>		
120/277 UNV Volt	UNV	
347 Volt (LD1 driver only)	347	
Low Voltage	LV	
<b>Control System &amp; Dimming Level</b>		
0-10V - 10% Dimming	LD1	
0-10V - 1% Dimming	L11	
Low Voltage, PoE compatible <small>(No driver. Not available with EM or EC. LV Voltage only.)</small>	LVN	
Lutron Hi-Lume EcoSystem (LDE1) - 1% Dimming	LH1	
DALI 1% Dimming	D11	
<b>Mounting</b> <small>(Specify canopy color, see finishes page for options. The Naturals available with Multi-point suspension only. Example: White = J24WH.)</small>		
48" Cable Single Suspension <small>(Power cord at intersection CC or power cord at end CE)</small>	CC48__ or CE48__	
96" Cable Single Suspension <small>(Power cord at intersection CC or power cord at end CE)</small>	CC96__ or CE96__	
24" Cable Multi-point Suspension	J24__	
48" Cable Multi-point Suspension	J48__	
96" Cable Multi-point Suspension <small>(Consult factory for sloped ceiling applications.)</small>	J96__	
Surface Mount	SM	
<b>Louver Distribution</b>		
Narrow Flood	NFL	
Flood 1	FL1	
Flood 2	FL2	
Wide Flood	WFL	
Louvered Mixing Chamber	LMC	
<b>Factory Options</b>		
Black Cord	BKCD	
Emergency Circuit	EC	
Emergency Battery Pack (120/277 Volt only)	EM	
<b>Louver Finish</b>		
Matte Black	BK	
Black Specular	BS	
Clear Diffuse	CD	
Clear Specular	CS	
Matte White	WH	
<b>Housing &amp; Faceplate Finish</b> <small>(See finishes page for The Naturals options)</small>		
Matte Black	BK	
Titanium Silver	TS	
Matte White	WH	

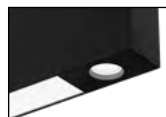
fixture:

project:

**POINT SOURCE DIMENSIONAL DATA**



Matte White



Matte Black

**PERFORMANCE CHART (LENSED AREA)**

Size	Lumen Output	Tested System Watts	BW		FL	
			Delivered lumens	LPW	Delivered lumens	LPW
4'	880	10	939	95	890	90
	1760	18	1845	104	1749	99
	2640	27	2794	104	2648	99
	3520	35	3700	106	3507	100
	4400	43	4649	108	4407	102
6'	1380	14	1457	101	1381	96
	2760	28	2924	104	2771	99
	4140	41	4347	106	4121	101
	5520	53	5814	109	5511	103
	6900	66	7281	110	6902	104

Based on 3500K. Lumen multipliers: 90 CRI = 0.87. Delivered lumens may vary +/- 5%. Actual wattage may vary +/- 5%

**PERFORMANCE CHART (POINT SOURCE)**

Distribution	Beamsread	Point Source Lumens	Delivered Lumens	Tested Watts	LPW
Narrow Flood (NFL)	21°	250L	258	3.2	81.2
		350L	360	4.3	82.9
		450L	458	5.7	80.2
Flood 1 (FL1)	28°	250L	254	3.2	79.8
		350L	354	4.3	81.5
		450L	450	5.7	78.9
Flood 2 (FL2)	42°	250L	249	3.2	78.2
		350L	346	4.3	79.8
		450L	441	5.7	77.3
Wide Flood (WFL)	53°	250L	242	3.2	76.1
		350L	337	4.3	77.7
		450L	429	5.7	75.2

Based on 3500K. Lumen output may vary +/- 5%. Actual wattage may vary +/- 5%

Focal Point LLC reserves the right to change specifications for product improvement without notification.

**POINT SOURCE ORDERING**

Luminaire Series		FSM1FP
Seem 1 Pendant	FSM1FP	
<b>Profile</b>		<b>Q</b>
Quartet	Q	
<b>Nominal Size</b>		
4' Diameter (2' arms)	4	
6' Diameter (3' arms)	6	
<b>Shielding</b>		
Batwing Lens + Point Source Ends	BWPSE	
Flush Lens + Point Source Ends	FLPSE	
<b>Point Source Lumens</b>		
250 Lumens	250L	
350 Lumens	350L	
450 Lumens	450L	
<b>Point Source Distribution</b>		
Narrow Flood	NFL	
Flood 1	FL1	
Flood 2	FL2	
Wide Flood	WFL	
<b>Lensed Lumen Output</b>		
4' Diameter	880 Lumens	880DN
	1760 Lumens	1760DN
	2640 Lumens	2640DN
	3520 Lumens	3520DN
	4400 Lumens	4400DN
6' Diameter	1380 Lumens	1380DN
	2760 Lumens	2760DN
	4140 Lumens	4140DN
	5520 Lumens	5520DN
	6900 Lumens	6900DN
<b>Color Temperature</b>		
2700K, 80+ CRI or 90+ CRI	27K or 927K	
3000K, 80+ CRI or 90+ CRI	30K or 930K	
3500K, 80+ CRI or 90+ CRI	35K or 935K	
4000K, 80+ CRI or 90+ CRI	40K or 940K	
<b>Circuits</b>		
Single Circuit	1C	
Dual Circuit	2C	
<small>(Independent control of Lens &amp; Point Source distributions)</small>		
<b>Voltage</b>		
120/277 UNV Volt	UNV	
347 Volt (LD1 driver only)	347	
Low Voltage	LV	
<b>Control System &amp; Dimming Level</b>		
0-10V - 10% Dimming	LD1	
0-10V - 1% Dimming	L11	
Low Voltage, PoE compatible	LVN	
<small>(No driver. Not available with EM or EC. LV Voltage only.)</small>		
Lutron Hi-Lume EcoSystem (LDE1) - 1% Dimming	LH1	
DALI 1% Dimming	D11	
<b>Mounting</b>		
<small>(Specify canopy color, see finishes page for options. The Naturals available with Multi-point suspension only. Example: White = J24WH.)</small>		
48" Cable Single Suspension	CC48__ or CE48__	
<small>(Power cord at intersection CC or power cord at end CE)</small>		
96" Cable Single Suspension	CC96__ or CE96__	
<small>(Power cord at intersection CC or power cord at end CE)</small>		
24" Cable Multi-point Suspension	J24__	
48" Cable Multi-point Suspension	J48__	
96" Cable Multi-point Suspension	J96__	
<small>(Consult factory for sloped ceiling applications.)</small>		
Surface Mount	SM	
<b>Factory Options</b>		
Black Cord	BKCD	
Emergency Circuit	EC	
<small>(Not available with cable single suspension)</small>		
Emergency Battery Pack (120/277 Volt only)	EM	
<b>Housing &amp; Faceplate Finish</b>		
Matte Black	BK	
Titanium Silver	TS	
Matte White	WH	

## SPECIFICATIONS

### LED System

Proprietary linear LED module incorporates premium LEDs on a robust platform to achieve excellent thermal management. LEDs are placed to promote a uniform appearance. Available in 2700K, 3000K, 3500K or 4000K with both 80 and 90 CRI options. 3500K and 4000K with CRI>90 have a cyanosis observation index (COI) of 3.3 or less. LED modules and drivers are replaceable from below. Color accuracy <3 SDCM.

### Construction

Extruded aluminum housing. Cast aluminum end caps. Luminaire will not exceed 21lbs.

### Optic

Reflectors fabricated of 22 Ga. steel finished in High Reflectance White powder coat. Extruded acrylic lens .07" thick with frosted finish. 60-degree cut-off to louvered light source and its image.

### Electrical

Luminaires are pre-wired with factory installed branch circuit wiring and over-molded quick connects. Standard 120-277V constant current driver includes 0-10V analog dimming. Power factor > .9. PoE compatible: Integrates with Power over Ethernet lighting systems via standard, low-voltage wires. PoE runs require an independent PoE node and power feed for each luminaire section.

### Emergency Battery

Emergency output - 10 watts for 90 minutes. Maximum mounting height: 18.5ft.

### Labels

UL and cUL listed. Suitable for Dry or Damp Locations, indoor use only.

### Finish

Polyester powder coat applied over a multi-stage pre-treatment. Canopy and cord white as standard. The Naturals: 100% low VOC vinyl.

### Lumen Maintenance

#### Lensed Source

Reported: L70 at >61,000 hours L90 at >61,000 hours	Calculated: L70 at 470,000 hours L90 at 115,000 hours
--	--

#### Louvered Sources

Reported: L70 at >54,000 hours L90 at 43,000 hours	Calculated: L70 at 138,000 hours L90 at 43,000 hours
---	---

#### Point Sources

Reported: L70 at >55,000 hours L90 at 54,000 hours	Calculated: L70 at 226,000 hours L90 at 54,000 hours
---	---

Derived from EPA TM-21 calculator. Based on typical conditions, consult factory for additional data.

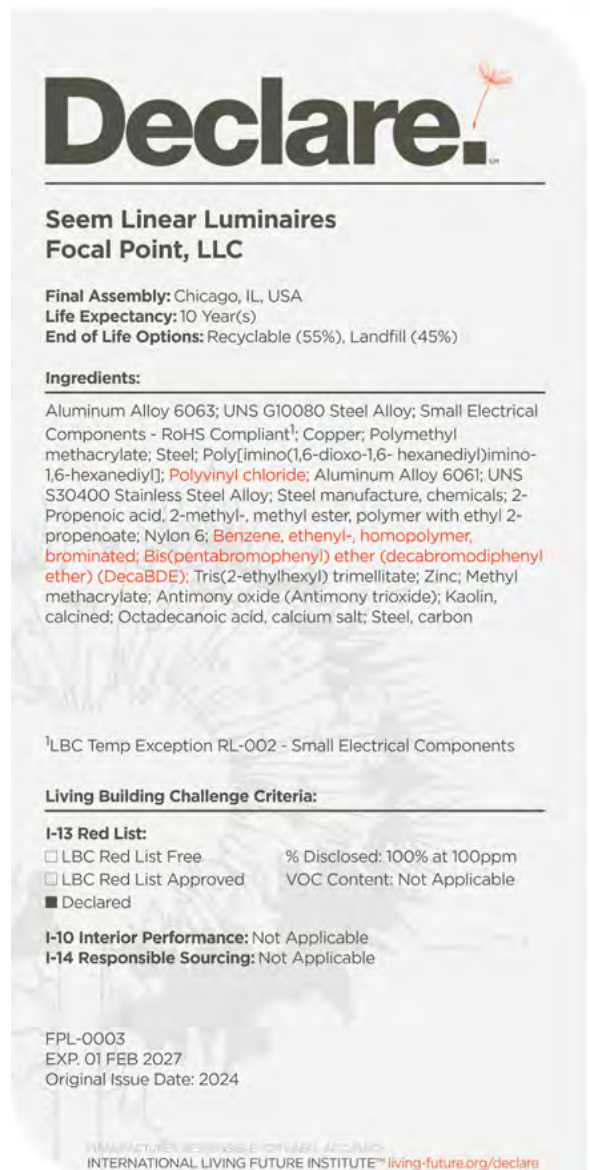
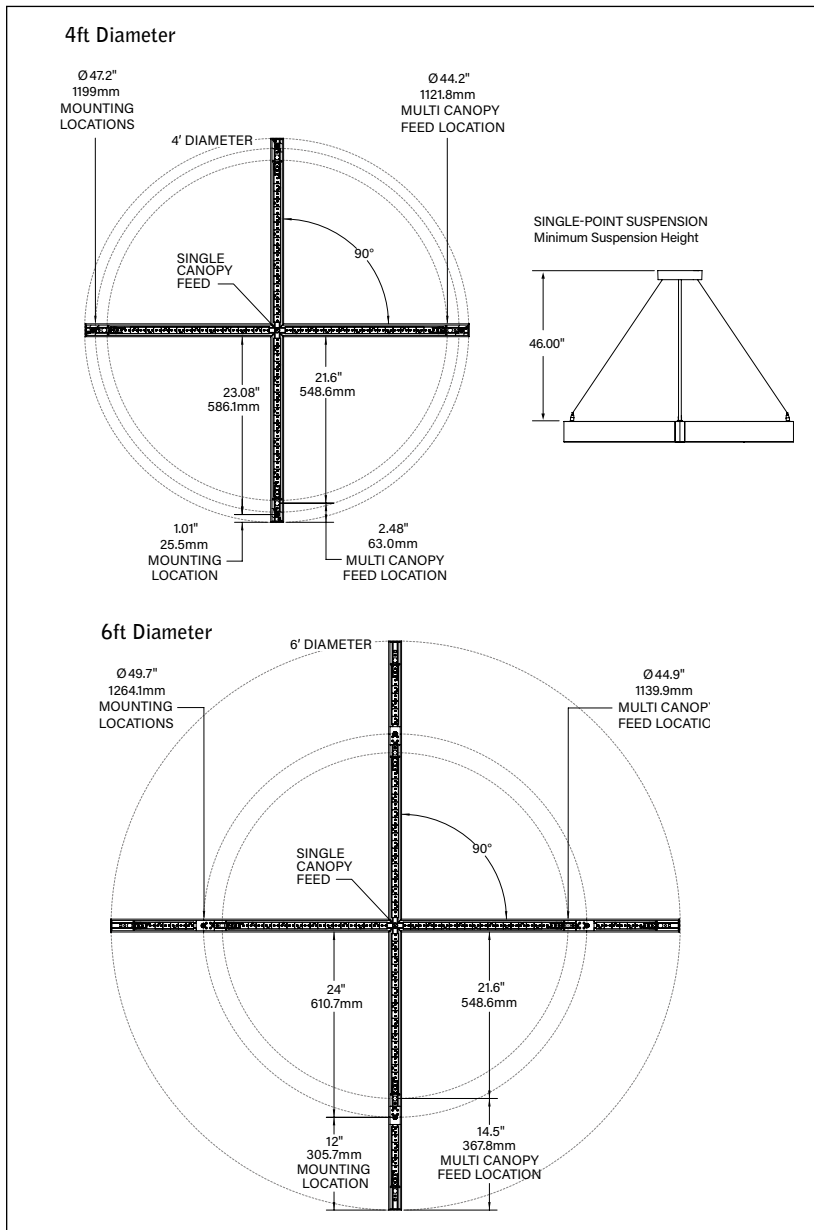
### Reliability

At Focal Point, our products are designed to stand the test of time. Each luminaire is engineered using superior components, manufactured with the utmost care and rigorously tested. Contact us for reliability data.

### Warranty

LED system rated for operation in ambient environments up to 25°C. 5-year limited warranty.

## MOUNTING DETAILS



Declare label applies to lensed shielding ordering codes BW & FL only.

## LOUVERED PERFORMANCE CHART

Size	Lumen Output	Tested System Watts	NFL		FL1		FL2		WFL		LMC	
			Delivered Lumens	LPW	Delivered Lumens	LPW	Delivered Lumens	LPW	Delivered Lumens	LPW	Delivered Lumens	LPW
4'	2000	19.8	2704	136	2301	116	2440	123	2013	102	1947	98
	3000	28.3	3999	141	3403	120	3610	128	2977	105	2879	102
	4000	38.0	5513	145	4691	123	4976	131	4104	108	3969	104
	5000	46.1	6894	150	5867	127	6222	135	5132	111	4963	108
	6000	53.9	8147	151	6933	129	7353	136	6065	113	5865	109
	7000	62.5	9388	150	7989	128	8474	136	6988	112	6759	108
	8000	71.1	10728	151	9130	128	9684	136	7986	112	7724	109
6'	3000	29.8	4055	136	3451	116	3661	123	3019	101	2920	98
	4500	41.5	5998	145	5105	123	5414	131	4465	108	4319	104
	6000	55.3	8269	150	7037	127	7464	135	6156	111	5953	108
	7500	68.1	10340	152	8800	129	9334	137	7698	113	7445	109
	9000	82.8	12220	148	10399	126	11030	133	9097	110	8798	106
	10500	94.7	14081	149	11983	127	12710	134	10483	111	10138	107
	12000	107.6	16092	150	13695	127	14526	135	11980	111	11586	108

Based on 3500K, 80 CRI. Delivered lumens may vary +/- 5%. Actual wattage may vary +/- 5%

### Louver Color Temperature & CRI

Color Temperature	Multiplier
2700K, 80+ CRI [27K]	0.95
2700K, 90+ CRI [927K]	0.80
3000K, 80+ CRI [30K]	0.97
3000K, 90+ CRI [930K]	0.83
3500K, 80+ CRI [35K]	1.00
3500K, 90+ CRI [935K]	0.85
4000K, 80+ CRI [40K]	1.03
4000K, 90+ CRI [940K]	0.87

### Louver Finish

Color	Multiplier
Matte Black [BK]	1.00
Black Specular [BS]	1.00
Clear Diffuse [CD]	1.07
Clear Specular [CS]	1.10
Matte White [WH]	1.11

### Louver Distribution

Distribution	Multiplier
Narrow Flood [NFL]	1.34
Flood 1 [FL1]	1.14
Flood 2 [FL2]	1.21
Wide Flood [WFL]	1.00
Louvered Mixing Chamber [LMC]	0.97

### How To Use Lumen Multipliers

**Formula:** (Lumen Output Value) x (Color Temperature & CRI) x (Distribution) x (Finish)

# Finishes



## STANDARD FINISHES



WHITE WH BLACK BK TITANIUM SILVER TS

## THE NATURALS (25% SCALE)



LIGHT OAK LOK GRAY ELM GRE CHESTNUT CHT WALNUT WLT WOVEN LINEN WLN