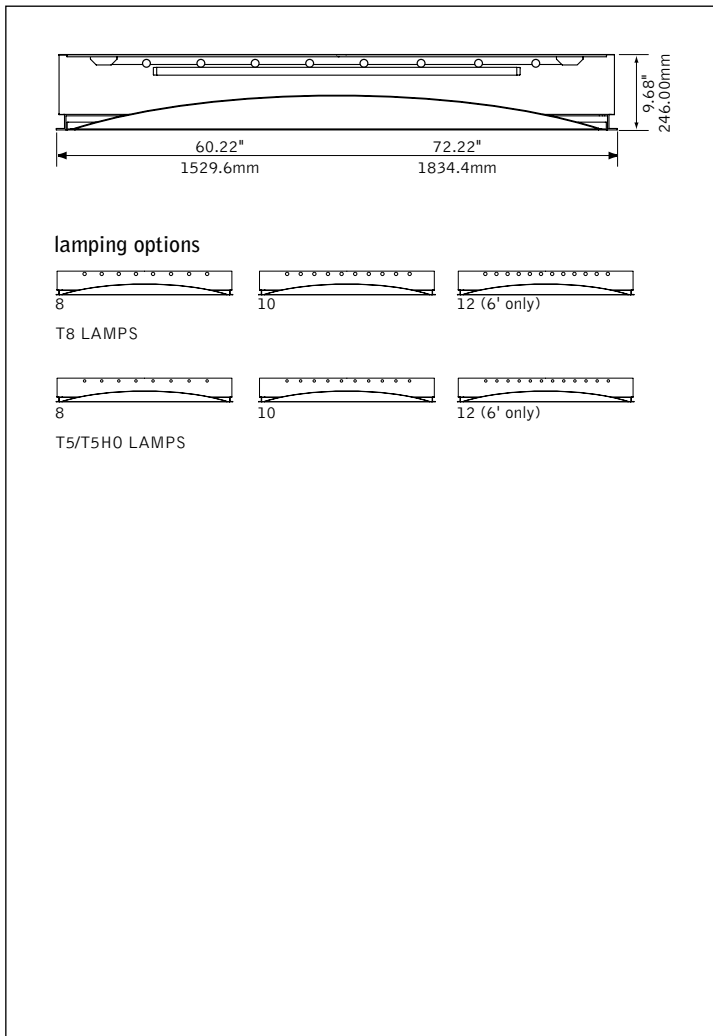




DIMENSIONAL DATA



FEATURES

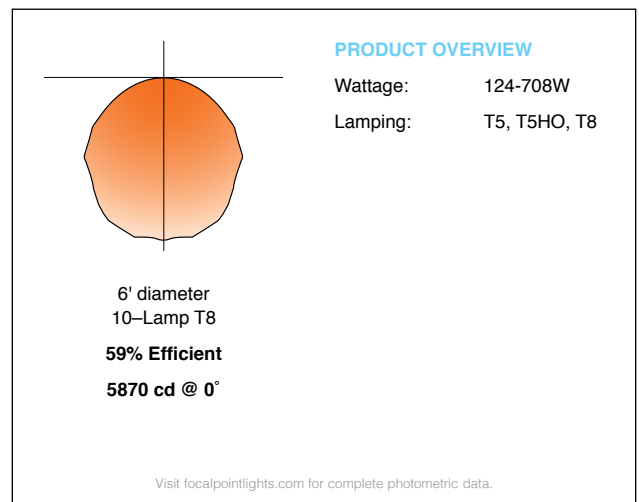
5' and 6' diameter recessed direct fluorescent with white acrylic lens.

Smooth white acrylic lens to provide even distribution and eliminate lamp image.

Universal ceiling trim rings are suitable for both grid & drywall applications.

Skydome™ is an excellent choice for open public spaces such as airport concourses, large lobbies, reception areas and meeting rooms.

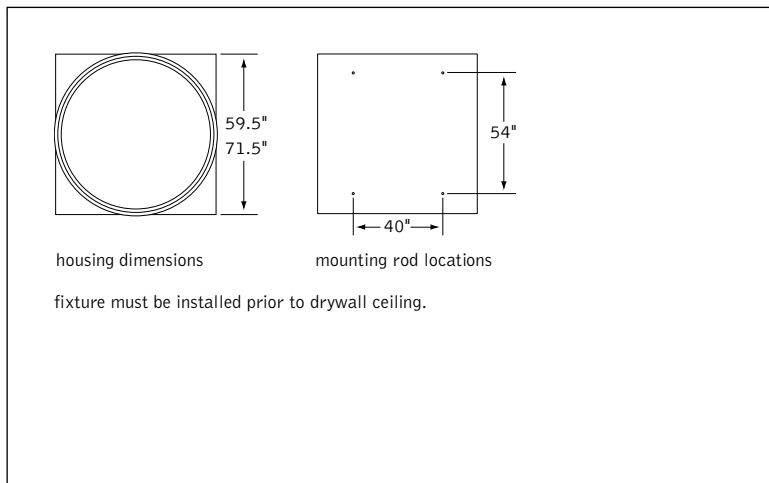
PERFORMANCE



fixture:

project:

MOUNTING INFORMATION



SPECIFICATIONS

Construction

Two-piece 20 Ga. steel reflector and housing. Spun steel trim ring and doorframe. Bottom access 20 Ga. steel ballast compartment. 5' unit weight: 88 lbs. 6' unit weight: 184 lbs.

Optic

One-piece 20 Ga. steel reflector finished in High Reflectance White powder coat. .125" white acrylic is held by one-piece spun aluminum doorframe and secured to the housing by torsion springs. Smooth concave lens only, does not match lens material used on 2', 3' & 4' Skydome.

Electrical

Electronic ballasts are thermally protected and have a Class "P" rating. Optional DALI and other dimming ballasts available. Consult factory for dimming specifications and availability.

Labels

UL and cUL listed.

Finish

Polyester powder coat applied over a 5-stage pre-treatment.

ORDERING

Luminaire Series		FSD	FSD
Skydome	FSD		
Nominal Size			
5' Diameter	55		
6' Diameter	66		
Shielding		CR	CR
Concave Lens	CR		
Lamp Quantity			
Eight Lamp	8		
Ten Lamp	10		
Twelve Lamp (6' Diameter Only)	12		
Lamp Type			
T8	T8		
T5	T5		
T5HO	T5HO		
Circuit			
Single Circuit	1C		
Dual Circuit	2C		
<small>(May cause loss of uniformity)</small>			
Voltage			
120 Volt	120		
277 Volt	277		
347 Volt	347		
<small>(Consult factory for dimming options)</small>			
UNV Volt	UNV		
<small>(Cannot be specified with EM option)</small>			
Ballast			
<small>(Consult factory for dimming availability)</small>			
Electronic Program Start <10% THD	S		
0-10V	D7		
Lutron 1% 3-wire	DH		
Lutron 1% H-Series	DK		
Mounting		U	U
Universal	U		
Factory Options			
Chicago Plenum	CP		
Emergency Battery Pack*	EM		
HLR/GLR Fuse	FU		
Include 3000K Lamp*	L830		
Include 3500K Lamp*	L835		
Include 4100K Lamp*	L841		
Finish		WH	WH
Matte Satin White	WH		

Skydome™

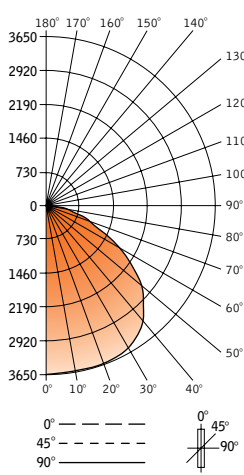
FLUORESCENT

FSD-44-D-6-T8-E-120-U-CR-WH

Filename: FSD446T8CR.IES
Test #: 14296.0

Lumens: 8739lm
Efficiency: 49%

CANDLEPOWER DISTRIBUTION



Vertical Angle	Horizontal Angle					Zonal Lumens
	0°	22.5°	45°	67.5°	90°	
0°	3020	3020	3020	3020	3020	3020
5°	3036	3038	3036	3033	3029	290
15°	2690	2958	2958	2960	2960	839
25°	2716	2716	2717	2719	2717	1258
35°	2377	2380	2380	2382	2382	1495
45°	1992	1990	1992	1995	1993	1543
55°	1579	1579	1582	1582	1582	1418
65°	1086	1087	1091	1092	1091	1082
75°	589	589	591	593	594	625
85°	174	174	174	172	174	189
90°	0	0	0	0	0	0
95°	0	0	0	0	0	0
105°	0	0	0	0	0	0
115°	0	0	0	0	0	0
125°	0	0	0	0	0	0
135°	0	0	0	0	0	0
145°	0	0	0	0	0	0
155°	0	0	0	0	0	0
165°	0	0	0	0	0	0
175°	0	0	0	0	0	0
180°	0	0	0	0	0	0

LUMEN SUMMARY

Zone	Lumens	% Lamp	% Fixture
0-30°	2386	13.5	27.3
0-40°	3881	21.9	44.4
0-60°	6843	38.7	78.3
0-90°	8739	49.4	100.0
Total Luminaire 0-180°	8739	49.4	100.0

LUMINANCE DATA (cd/m²)

Vertical Angle	0°	45°	90°
45°	2882	2882	2884
55°	2817	2822	2822
65°	2629	2641	2641
75°	2328	2336	2348
85°	2043	2043	2043

CO-EFFICIENTS OF UTILIZATION

Floor Ceiling Wall	80				70			20		50		30		10		00
	70	50	30	10	70	50	10	50	10	50	10	50	10	50	10	00
RCR 0	59	59	59	59	57	57	57	55	55	53	53	50	50	50	50	49
1	54	52	50	48	53	51	47	49	46	47	44	45	43	45	43	42
2	49	45	42	40	48	45	39	43	38	41	37	40	36	35	35	35
3	45	40	36	33	44	40	33	38	35	37	34	35	31	30	30	30
4	41	36	32	28	40	35	28	34	28	33	27	32	27	26	26	26
5	38	32	27	24	37	31	24	30	24	29	23	28	23	22	22	22
6	35	28	24	21	34	28	21	27	20	26	20	25	20	19	19	19
7	32	25	21	18	31	25	18	24	18	23	18	23	18	17	17	17
8	30	23	19	16	29	22	16	22	15	21	15	21	15	14	14	14
9	27	20	16	13	26	20	13	20	13	19	13	18	13	12	12	12
10	25	19	15	12	25	18	12	18	12	17	12	17	12	11	11	11

Numbers indicate percentage values of reflectivity.

Go to www.focalpointlights.com for additional photometric data.

Skydome™

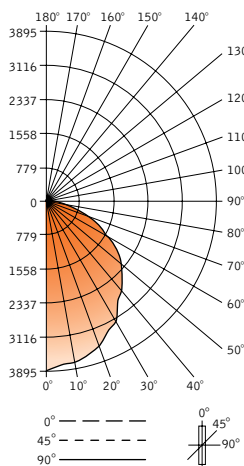
FLUORESCENT

FSD-44-D-6-T8-E-120-U-FLXP-WH

Filename: FSD446T8FLXP.IES
Test #: 15279.0

Lumens: 10370lm
Efficiency: 59%

CANDLEPOWER DISTRIBUTION



Vertical Angle	Horizontal Angle					Zonal Lumens
	0°	22.5°	45°	67.5°	90°	
0°	3895	3895	3895	3895	3895	3895
5°	3788	3787	3787	3784	3784	361
15°	3651	3654	3659	3665	3666	1037
25°	3305	3311	3325	3331	3331	1537
35°	2807	2817	2833	2847	2846	1778
45°	2397	2411	2427	2441	2440	1878
55°	1889	1902	1917	1932	1931	1718
65°	1255	1265	1279	1288	1287	1267
75°	604	606	615	620	622	649
85°	129	129	132	134	137	144
90°	0	0	0	0	0	0
95°	0	0	0	0	0	0
105°	0	0	0	0	0	0
115°	0	0	0	0	0	0
125°	0	0	0	0	0	0
135°	0	0	0	0	0	0
145°	0	0	0	0	0	0
155°	0	0	0	0	0	0
165°	0	0	0	0	0	0
175°	0	0	0	0	0	0
180°	0	0	0	0	0	0

LUMEN SUMMARY

Zone	Lumens	% Lamp	% Fixture
0-30°	2936	16.6	28.3
0-40°	4714	26.6	45.5
0-60°	8310	46.9	80.1
0-90°	10370	58.6	100.0
Total Luminaire 0-180°	10370	58.6	100.0

LUMINANCE DATA (cd/m²)

Vertical Angle	0°	45°	90°
45°	2740	2774	2788
55°	2662	2701	2720
65°	2401	2446	2461
75°	1885	1919	1941
85°	1196	1221	1272

CO-EFFICIENTS OF UTILIZATION

Floor Ceiling Wall	80				70			20		50		30		10		00
	70	50	30	10	70	50	10	50	10	50	10	50	10	50	10	00
RCR 0	70	70	70	70	68	68	68	65	65	62	62	60	60	60	60	59
1	64	62	59	57	63	60	56	58	55	56	53	54	52	50	50	50
2	59	55	51	48	57	53	47	51	46	49	45	48	44	43	43	43
3	54	48	44	40	53	47	40	46	39	44	39	43	38	37	37	37
4	50	43	38	34	48	42	34	41	34	39	33	38	33	32	32	32
5	45	38	33	29	44	37	29	36	29	35	28	34	28	27	27	27
6	42	34	29	25	41	33	25	31	25	31	25	31	24	23	23	23
7	38	31	25	22	37	30	22	29	22	28	22	28	21	20	20	20
8	35	27	22	19	34	27	19	26	19	25	19	25	19	17	17	17
9	33	25	20	16	32	24	16	24	16	23	16	22	16	15	15	15
10	30	22	18	15	29	22	14	21	14	21	14	20	14	13	13	13

Numbers indicate percentage values of reflectivity.

Go to www.focalpointlights.com for additional photometric data.