

# Score™ 2 Suspended

FSC2S | Low Voltage Remote Power



FOCAL POINT®

## BEFORE YOU BEGIN

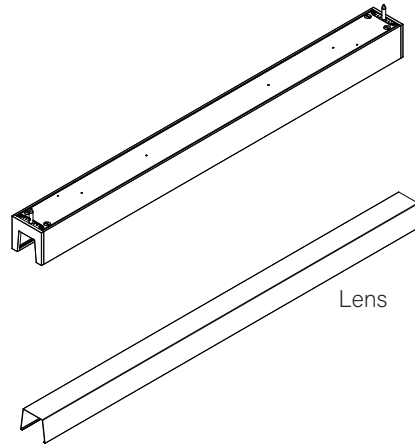
- Luminaires must be installed by a qualified electrician (check with local and national codes for proper installation).
- To prevent electrical shock, disconnect electrical supply before installation or servicing.
- Contractor is responsible for adequately reinforcing walls and/or ceilings to support fixture weight.
- Focal Point, LLC accepts no responsibility for inadequately reinforced walls and/or ceilings.
- The information contained in this drawing is the sole property of Focal Point, LLC. Any reproduction in part or whole without the written permission of Focal Point, LLC is prohibited.

## INSTRUCTION KEY

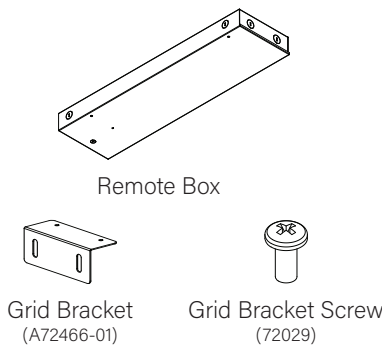
- ATTENTION**
- SEE ADDITIONAL INSTRUCTIONS**
- POWER OFF**
- POWER ON**

## COMPONENT KEY

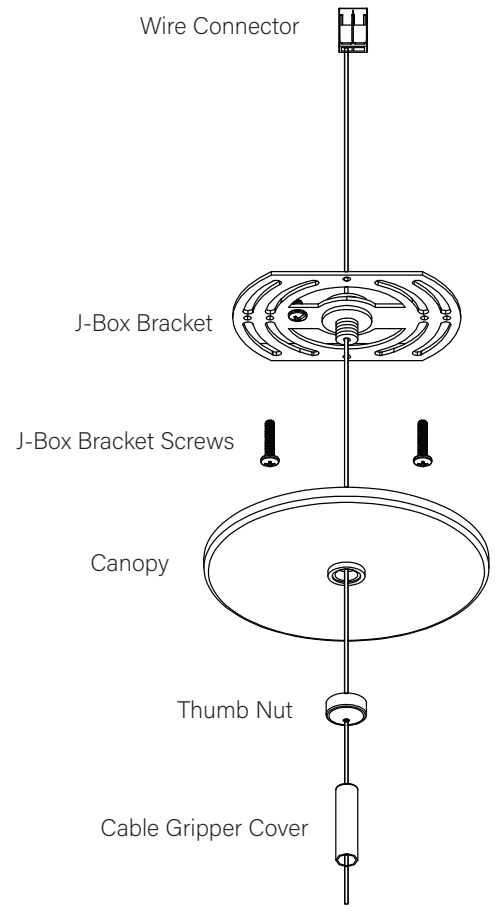
### FOCAL POINT



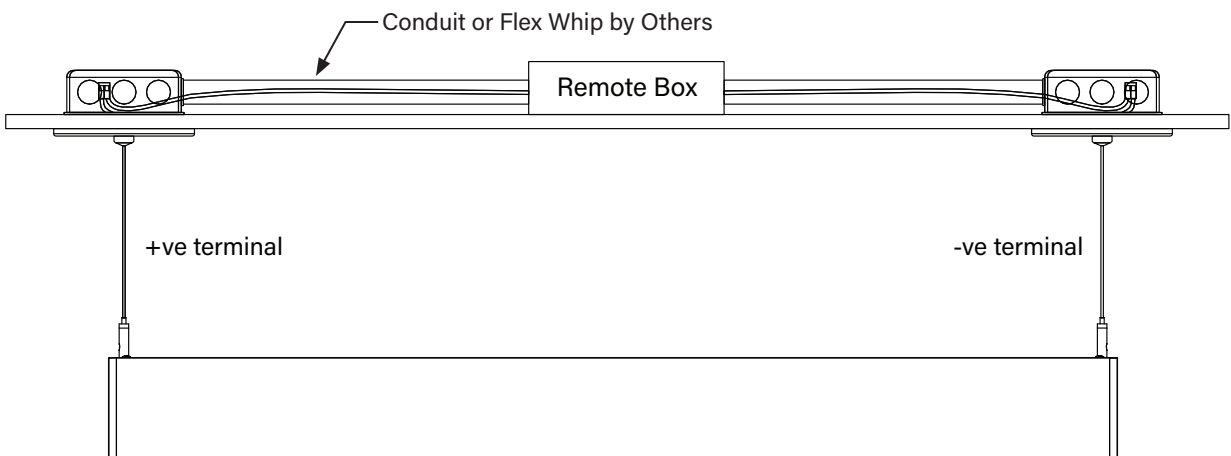
### REMOTE POWER



### CANOPY ASSEMBLY

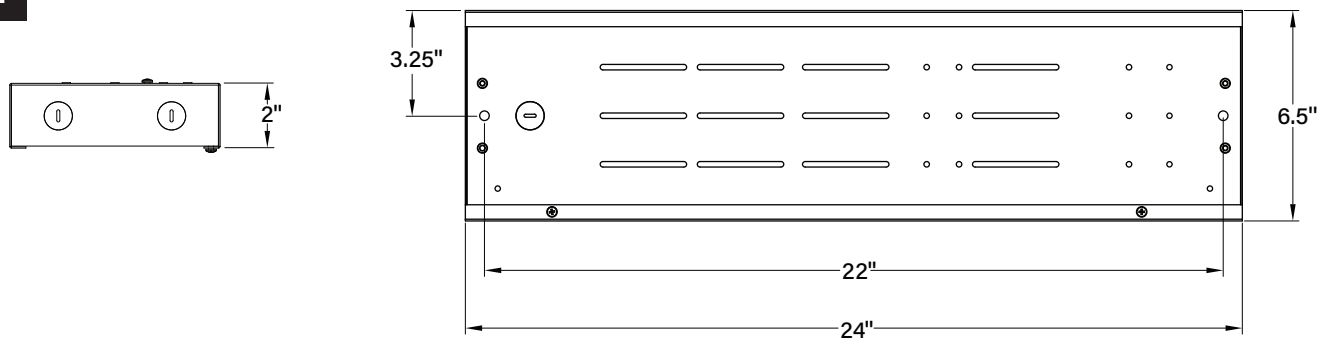


## SYSTEM WIRING



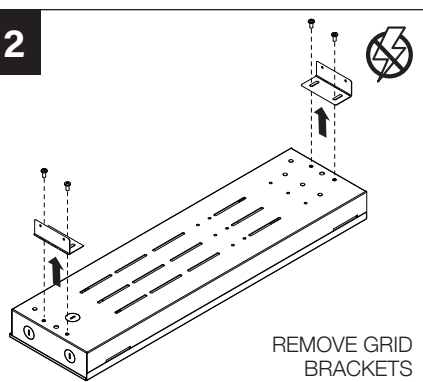
# REMOTE BOX - SURFACE MOUNT

1

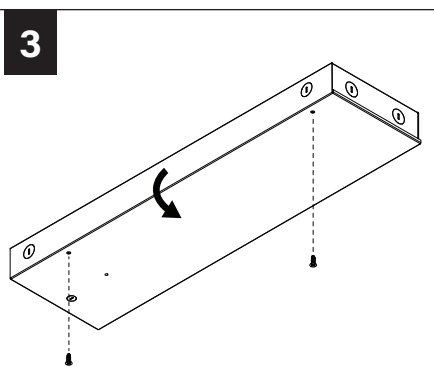


CONSULT FACTORY FOR MAXIMUM DRIVER-TO-J-BOX WIRE LENGTH FOR POWER UP

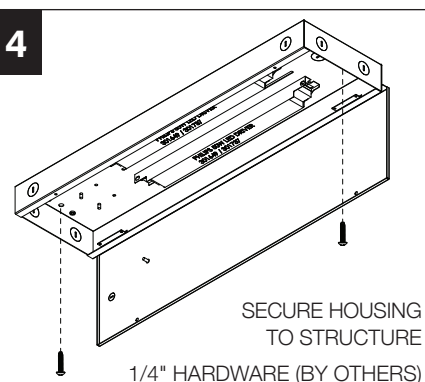
2



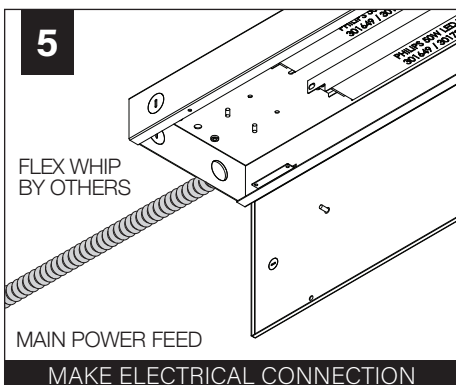
3



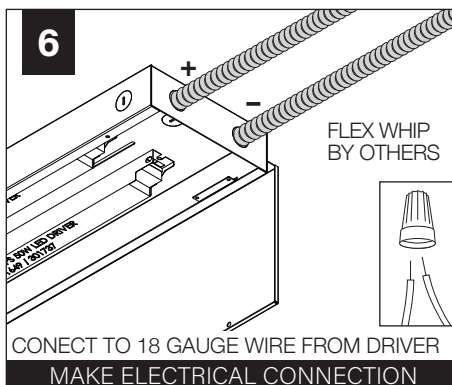
4



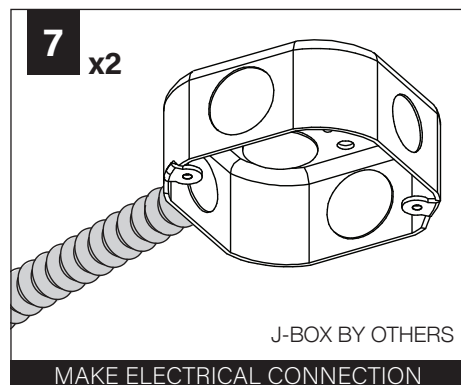
5



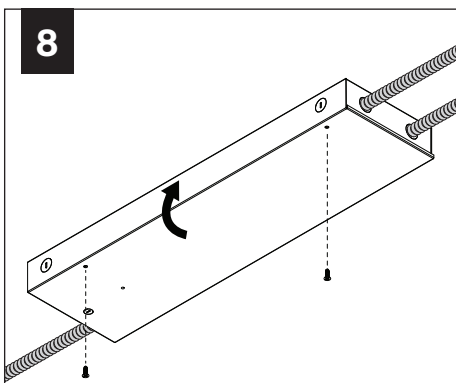
6



7

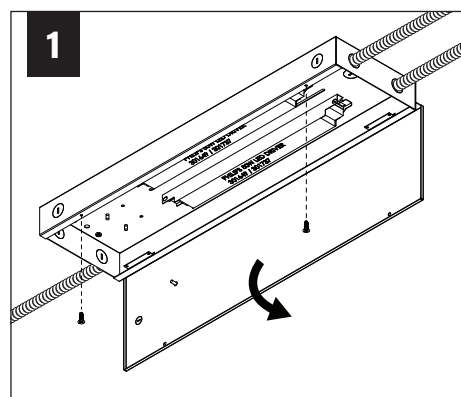


8



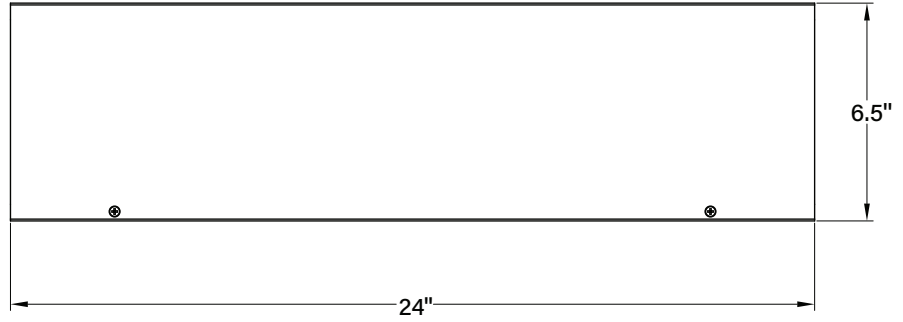
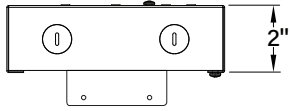
## DRIVER SERVICE

1



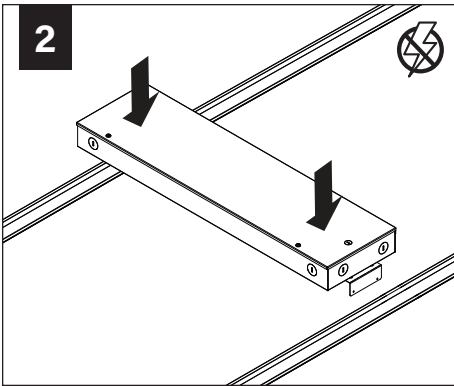
# REMOTE BOX - GRID

1

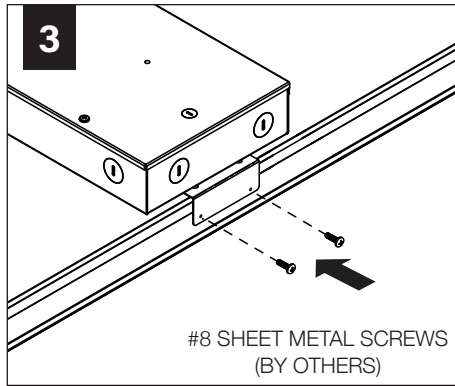


CONSULT FACTORY FOR MAXIMUM DRIVER-TO-J-BOX WIRE LENGTH FOR POWER UP

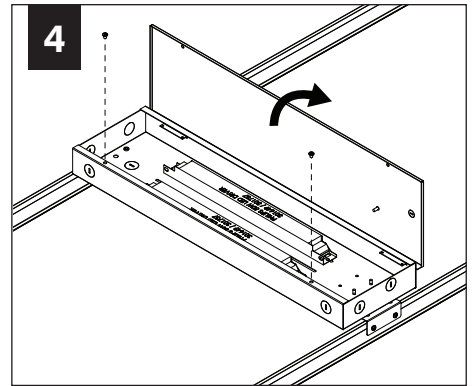
2



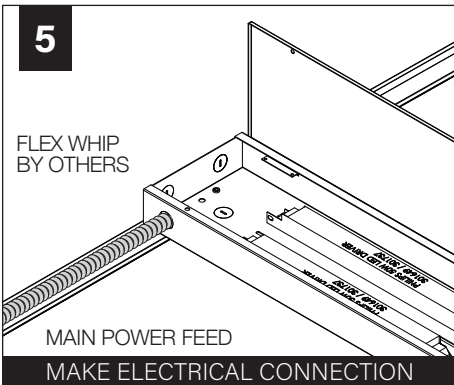
3



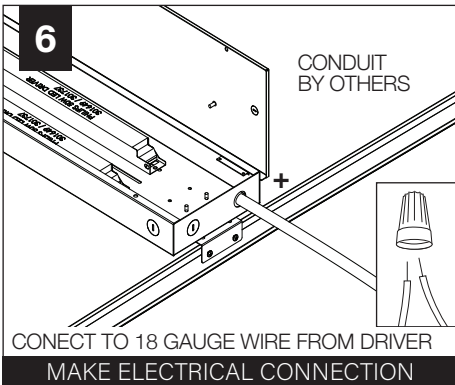
4



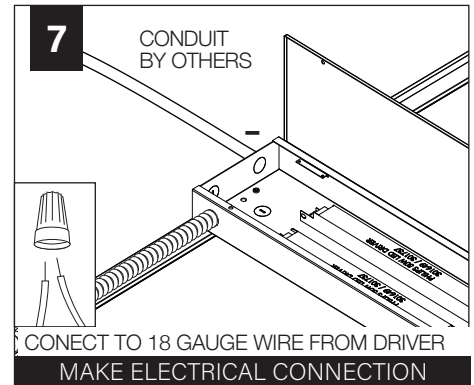
5



6

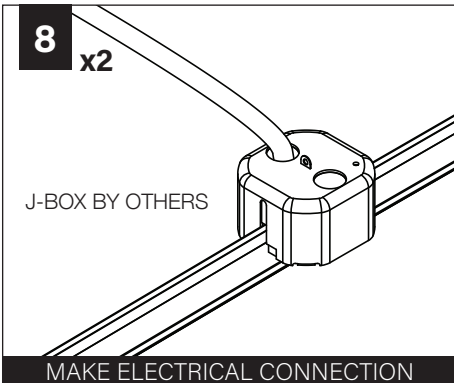


7

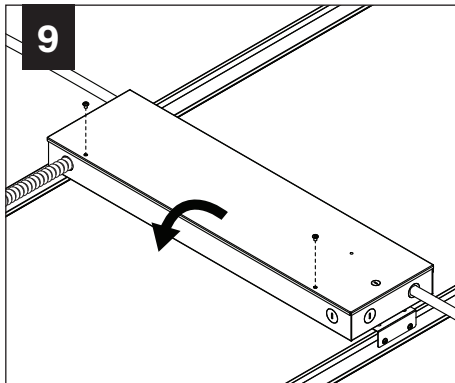


8

x2

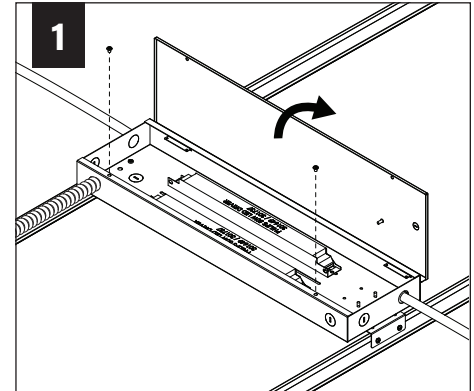


9

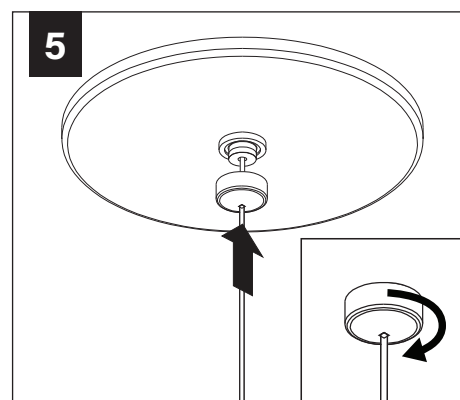
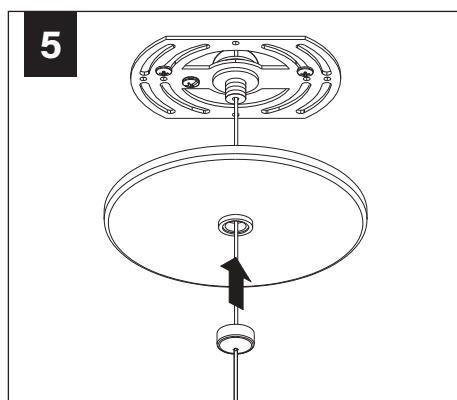
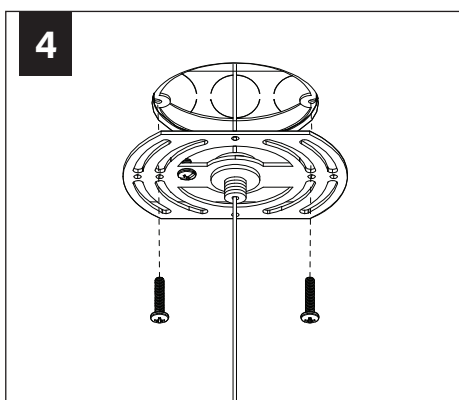
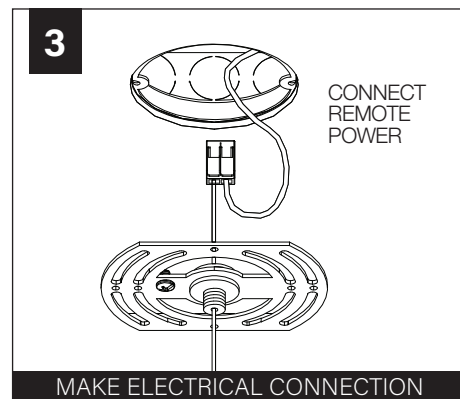
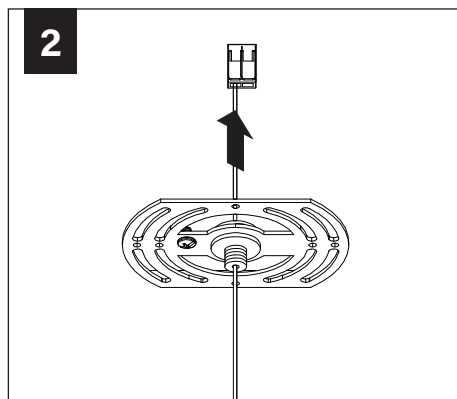
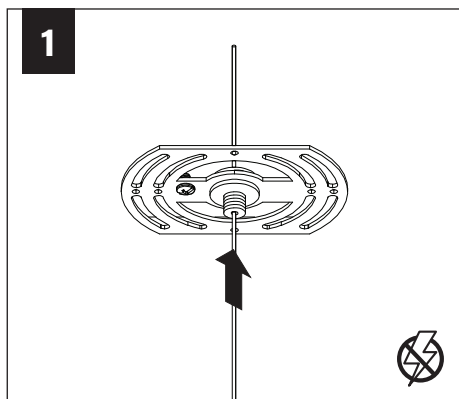


## DRIVER SERVICE

1



## CANOPY ASSEMBLY INSTALLATION



## HOUSING INSTALLATION

