

Score™ 2 Suspended

FSC2S | FSC2BS | Remote Power



FOCAL POINT®

BEFORE YOU BEGIN

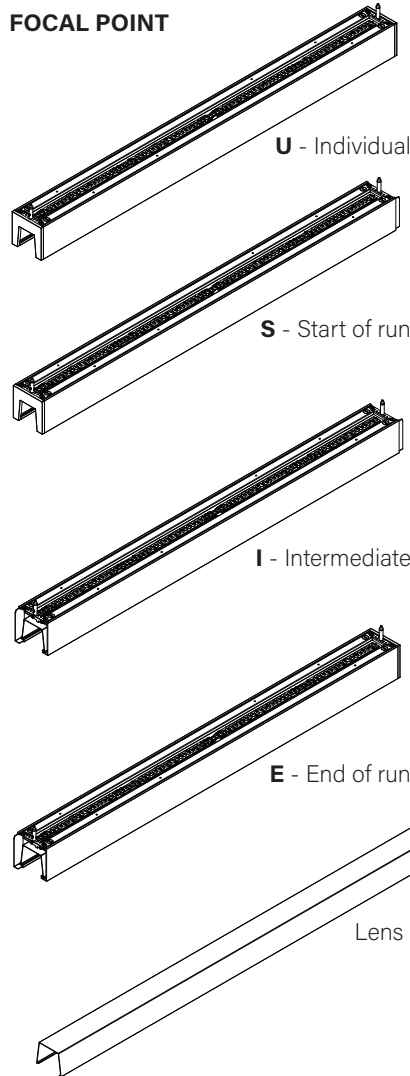
- Luminaires must be installed by a qualified electrician (check with local and national codes for proper installation).
- To prevent electrical shock, disconnect electrical supply before installation or servicing.
- Contractor is responsible for adequately reinforcing walls and/or ceilings to support fixture weight.
- Focal Point, LLC accepts no responsibility for inadequately reinforced walls and/or ceilings.
- The information contained in this drawing is the sole property of Focal Point, LLC. Any reproduction in part or whole without the written permission of Focal Point, LLC is prohibited.

INSTRUCTION KEY

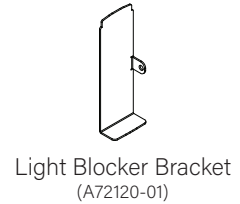
- ATTENTION
- SEE ADDITIONAL INSTRUCTIONS
- POWER OFF
- POWER ON

COMPONENT KEY

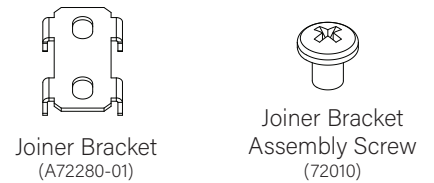
FOCAL POINT



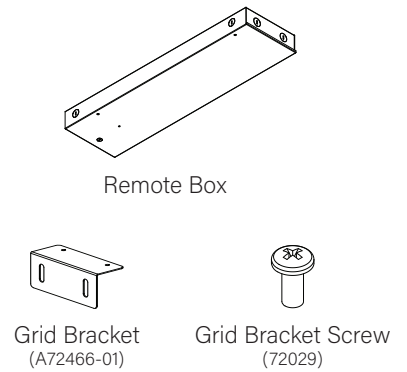
SHIPPED INSTALLED



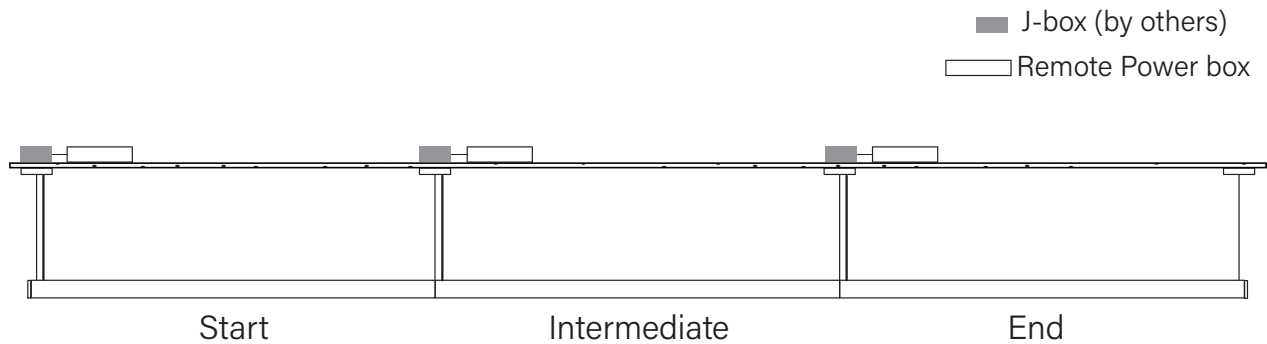
SHIPPED IN PARTS BAG



REMOTE POWER

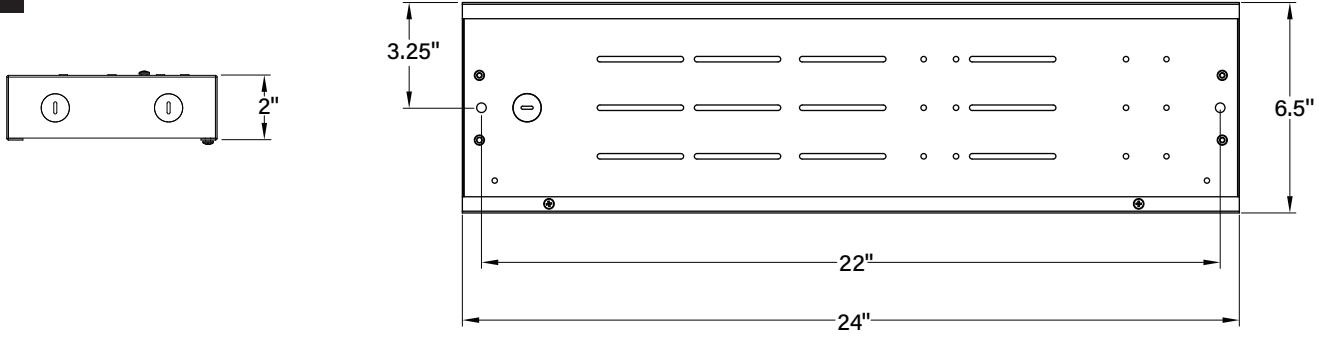


REMOTE POWER ROW MOUNTING



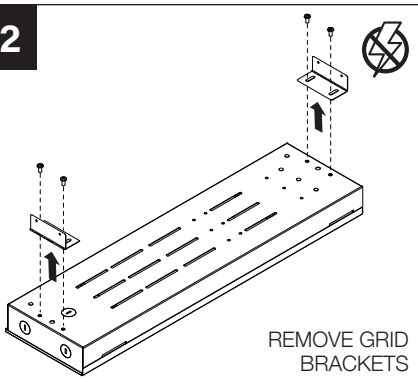
REMOTE BOX - SURFACE MOUNT

1



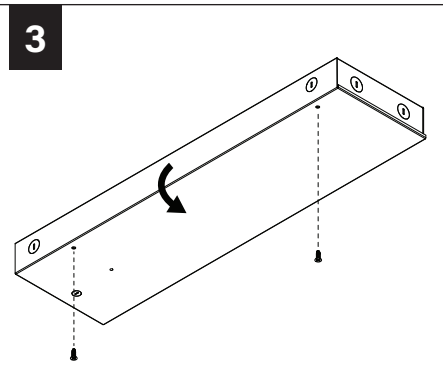
CONSULT TABLE ON PAGE 5 FOR MAXIMUM DRIVER-TO-J-BOX WIRE LENGTH

2

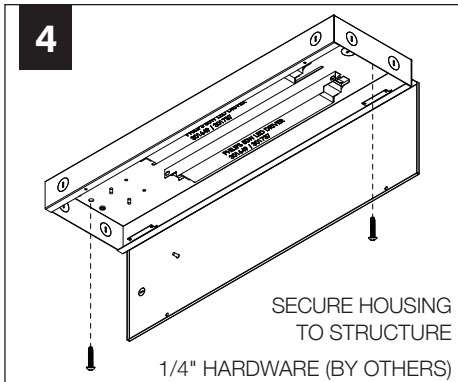


REMOVE GRID BRACKETS

3

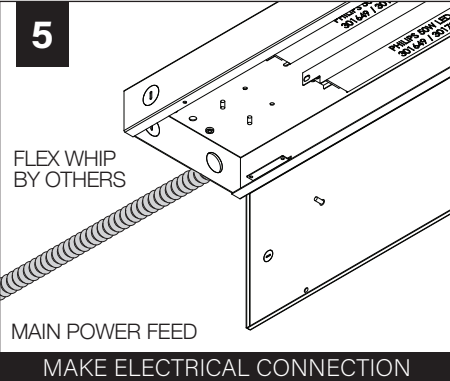


4



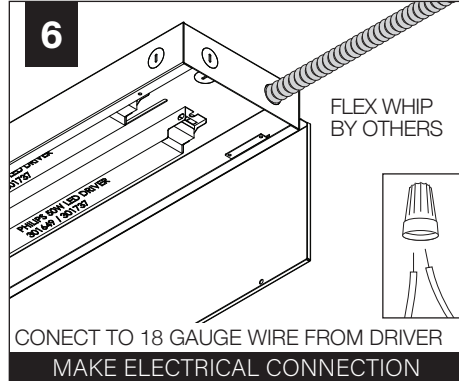
SECURE HOUSING TO STRUCTURE
1/4" HARDWARE (BY OTHERS)

5



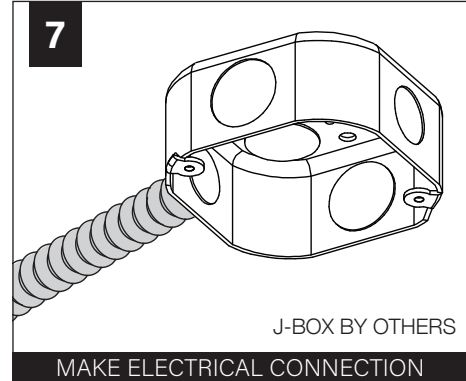
FLEX WHIP BY OTHERS
MAIN POWER FEED
MAKE ELECTRICAL CONNECTION

6



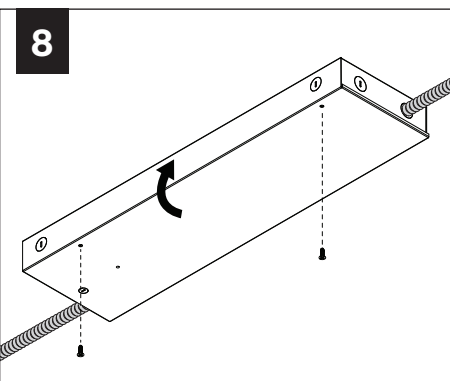
FLEX WHIP BY OTHERS
CONNECT TO 18 GAUGE WIRE FROM DRIVER
MAKE ELECTRICAL CONNECTION

7



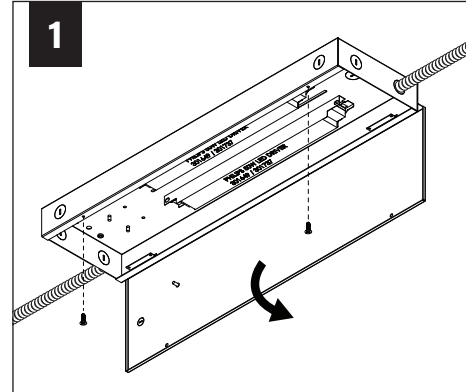
J-BOX BY OTHERS
MAKE ELECTRICAL CONNECTION

8



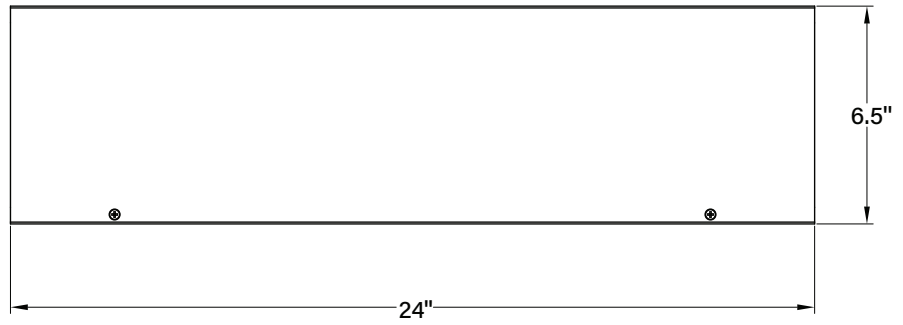
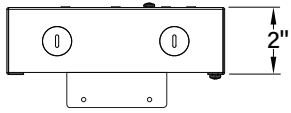
DRIVER SERVICE

1



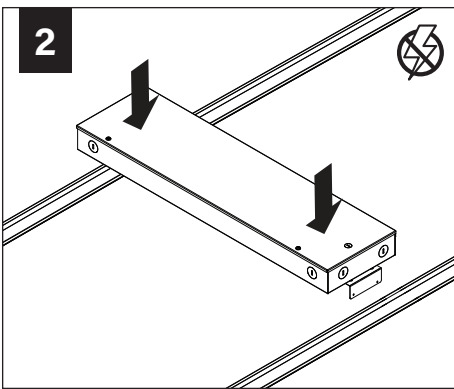
REMOTE BOX - GRID

1

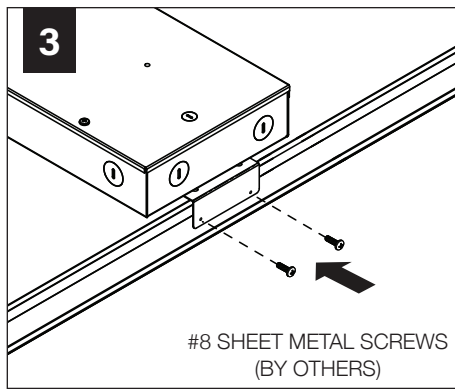


CONSULT TABLE ON PAGE 5 FOR MAXIMUM DRIVER-TO-J-BOX WIRE LENGTH

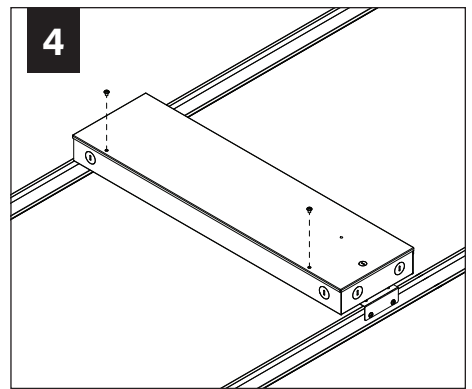
2



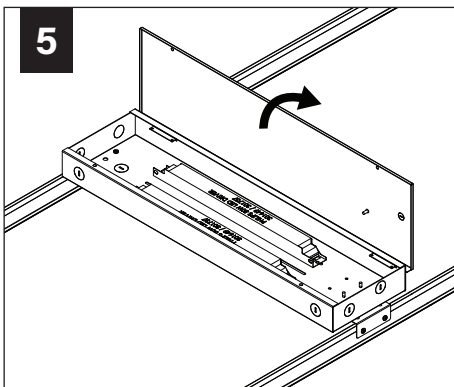
3



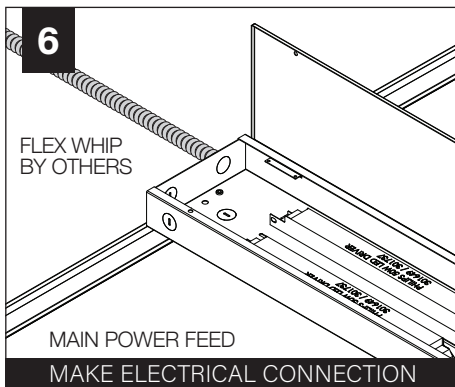
4



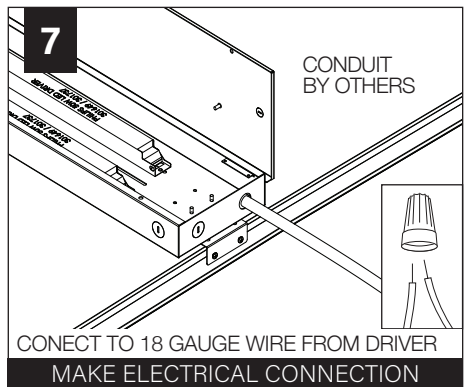
5



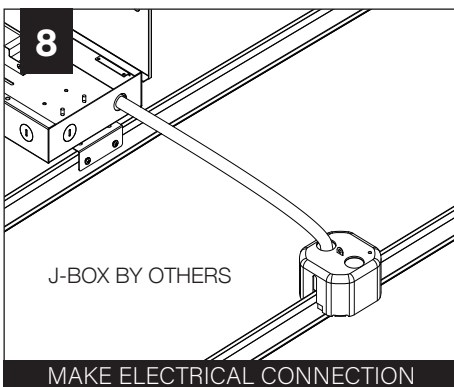
6



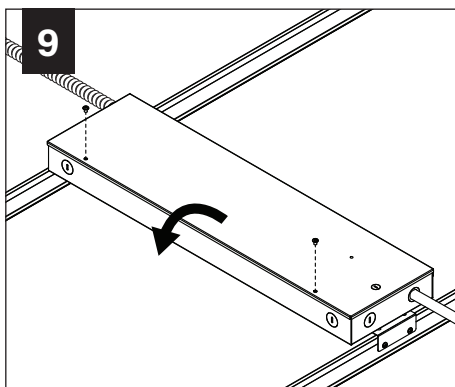
7



8

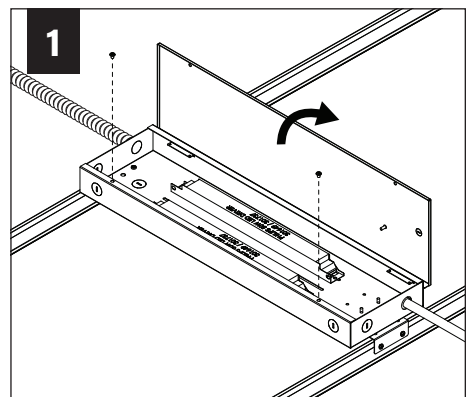


9



DRIVER SERVICE

1





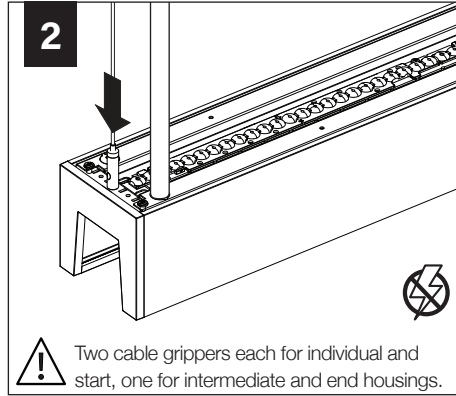
INDIVIDUAL INSTALLATIONS FOLLOW STEPS 1-3

1



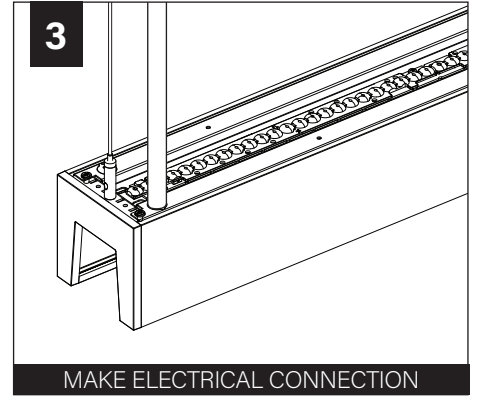
Follow Focal Point instructions for Universal Suspension System assembly.
See IS0166

2



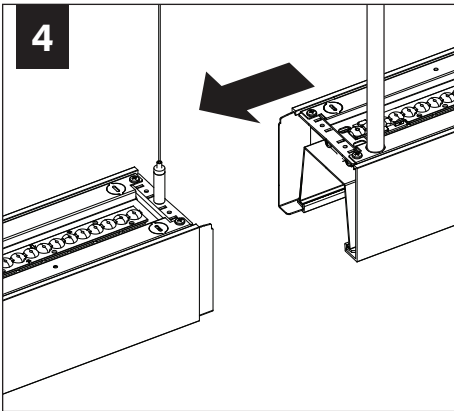
⚠ Two cable grippers each for individual and start, one for intermediate and end housings.

3

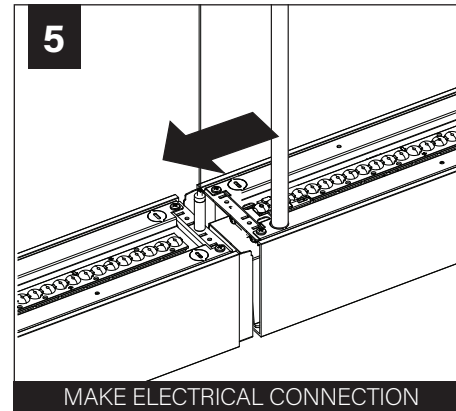


MAKE ELECTRICAL CONNECTION

4

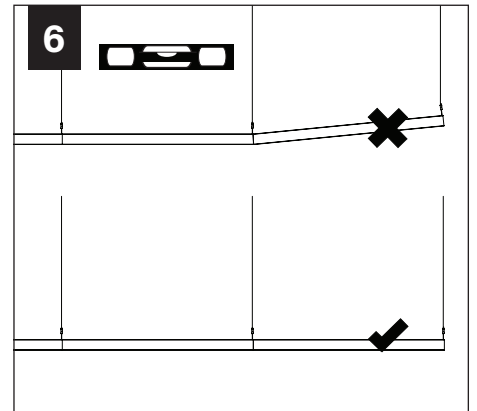


5



MAKE ELECTRICAL CONNECTION

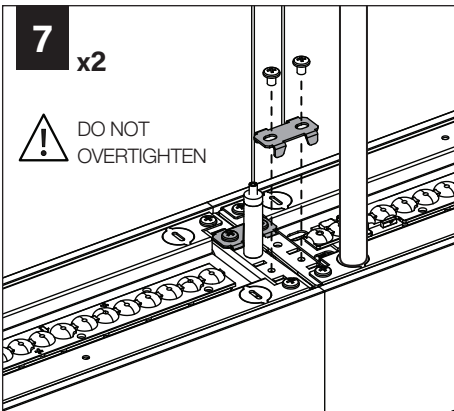
6



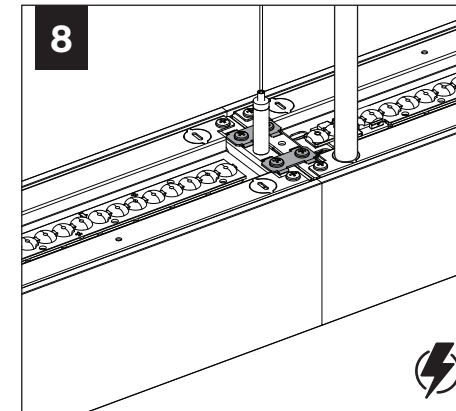
7

x2

⚠ DO NOT OVERTIGHTEN



8



MAXIMUM DRIVER-TO-J-BOX WIRE LENGTH

Wire Guage	Maximum Remote Distance (ft)				
	5-23W*	23-45W	45-68W	68-90W	90-113W
	100-500mA	501-1000mA	1001-1500mA	1501-2000mA	2001-2500mA
18 AWG	139	60	34	21	13
16 AWG	220	96	54	34	21
14 AWG	351	153	86	53	34
12 AWG	557	242	138	85	54

Currents listed are driver output currents. Power listed is input power of driver. Use either output current or power to determine remote wiring length.