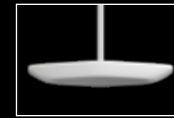


# Polina™ Uplight

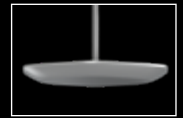
INDIRECT PENDANT



Black



White



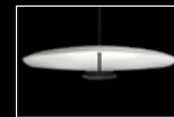
Palladium Silver



Shallow Canopy detail



Mini Power Canopy detail

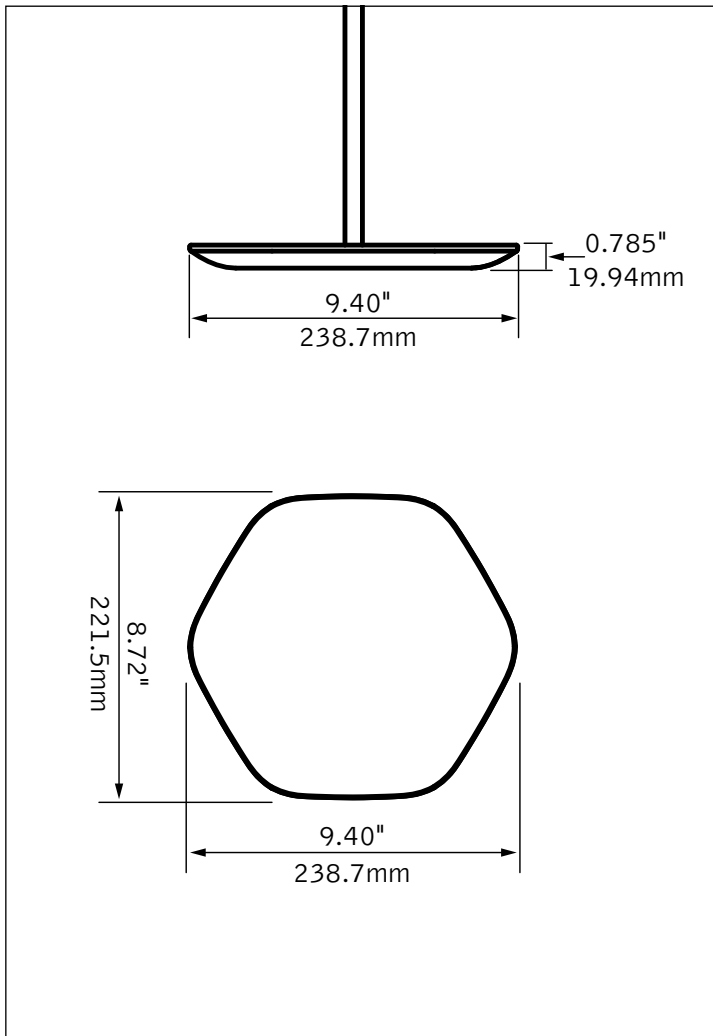


Acoustic Pendant companion



Acoustic Sconce companion

## DIMENSIONAL DATA



## FEATURES

Soft hexagonal indirect pendant, nominal 10" diameter.

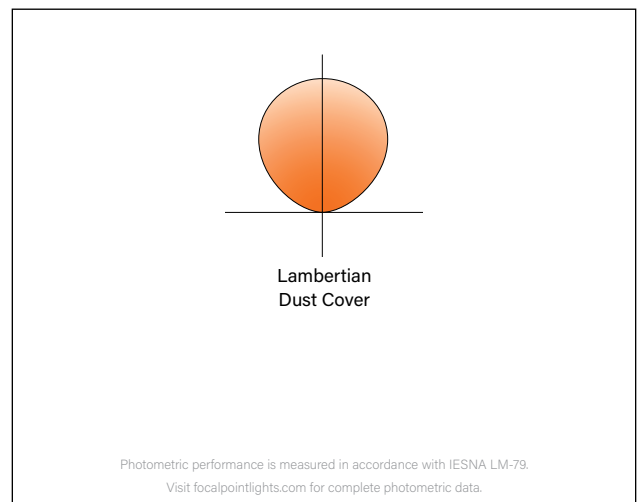
Four lumen outputs, up to 3400 lumens.

Mini power canopy or remote power system, suitable for open, drywall, or grid ceiling installation.

Field cuttable stem suspension.

Companion illuminated acoustic pendant, wall sconce and unlit shades available for suspended or wall mounting.

## DISTRIBUTION



fixture:

project:

### SPECIFICATIONS

#### LED System

Proprietary LED module incorporates premium LEDs on a robust platform to achieve excellent thermal management. LEDs are placed to promote a uniform appearance. Available in 2700K, 3000K, 3500K or 4000K with both 80 and 90 CRI options. LED modules are replaceable from below. Color accuracy <3 SDCM.

#### Construction

9.4" diameter aluminum housing. Remove dust and debris with vacuum or dabbing with damp lint free cloth, avoid rubbing to preserve illuminated surface quality. Weight: Luminaire will not exceed 7lbs.

#### Electrical

Standard 120-277V driver includes 0-10V analog dimming. Power factor > .9.

#### Labels

UL and cUL listed. Suitable for Dry Locations, indoor use only.

#### Finishes

Polyester powder coat applied over a multi-stage pre-treatment.

#### Lumen Maintenance

Reported: L70 at >72,000 hours      Calculated: L70 at 193,000 hours  
Reported: L90 at >55,000 hours      Calculated: L90 at 55,000 hours  
Derived from EPA TM-21 calculator. Based on typical conditions, consult factory for additional data.

#### Reliability

At Focal Point, our products are designed to stand the test of time. Each luminaire is engineered using superior components, manufactured with the utmost care and rigorously tested. Contact us for reliability data.

#### Warranty

LED system rated for operation in ambient environments up to 25°C. 5-year limited warranty.

### PERFORMANCE CHART (PRELIMINARY)

Lumen Output	Total System Watts	Delivered Lumens	LPW
Low (LWP)	7.9	1091	138
Medium (MDP)	15.4	1987	129
High (HHP)	21.2	2777	131
Max (MXP)	25.2	3409	135

Based on 3500K, 80CRI. Lumen output may vary +/- 5%. Actual wattage may vary +/- 5%.

### LUMEN MULTIPLIERS

CRI	CCT			
	2700K	3000K	3500K	4000K
80	0.93	0.96	1.00	1.02
90	0.79	0.82	0.85	0.87

### ORDERING

Luminaire Series		FPOLP
Polina Pendant		FPOLP
<b>Profile</b>		<b>SHX</b>
Soft Hexagon	SHX	
<b>Size</b>		<b>10</b>
Nominal 10"	10	
<b>Shielding</b>		<b>DC</b>
Dust Cover	DC	
<b>Lumen Output</b>		
Low	LWP	
Medium	MDP	
High	HHP	
Max	MXP	
<b>Color Temperature</b>		
2700K, 80CRI or 90 CRI	27K or 927K	
3000K, 80CRI or 90 CRI	30K or 930K	
3500K, 80CRI or 90 CRI	35K or 935K	
4000K, 80CRI or 90 CRI	40K or 940K	
<b>Circuit</b>		<b>1C</b>
Single Circuit	1C	
<b>Voltage</b>		<b>UNV</b>
120/277 UNV	UNV	
<b>Control System &amp; Dimming Level</b>		<b>L11</b>
0-10V - 1% Dimming	L11	
<b>Power Configuration</b>		
Integrated Power: Mini Power Canopy <small>(Powers 1 unit, mounted to J-box. See page 4 for details.)</small>	MPC	
Remote Power: Shallow Canopies <small>(Powers multiple units per box, requires RPS-POL.)</small>	RSC	
<b>Canopy Color</b> <small>(Consult factory for custom colors)</small>		
Matte Black	BK	
Matte White	WH	
Palladium Silver	PS	
<b>Mounting</b> <small>Stem length measured from the j-box to the bottom of pendant</small>		
12", Field Cuttable Stem	S12	
24", Field Cuttable Stem	S24	
60", Field Cuttable Stem	S60	
1'- 6' in 1' increments, Field Cuttable Stem <small>(Specify in inches, example: 6' stem = S72)</small>	S_	
<b>Suspension Color</b>		
Matte Black	BK	
Matte White	WH	
Palladium Silver	PS	
<b>Luminaire Finish</b> <small>(Consult factory for custom colors)</small>		
Matte Black	BK	
Matte White	WH	
Palladium Silver	PS	

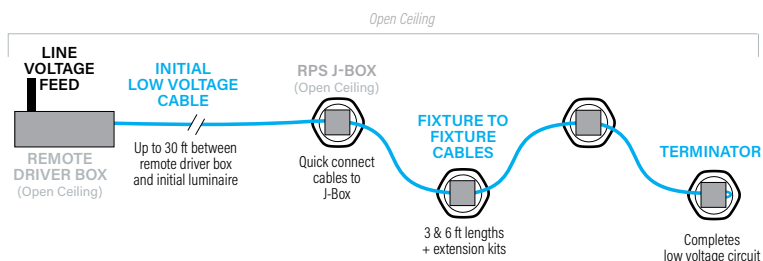
fixture:

project:

**SYSTEM DIAGRAMS**

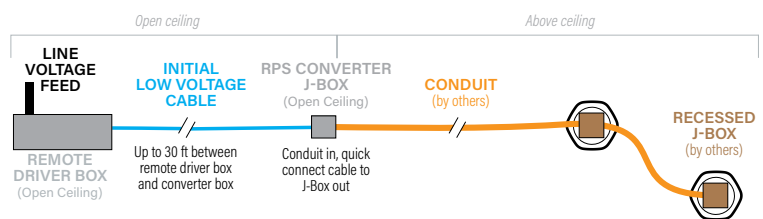
**OC MOUNTING TYPE**

Open Ceiling Remote Box and Luminaire J-Box



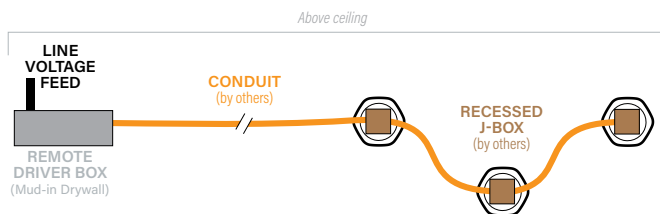
**OCR MOUNTING TYPE**

Open Ceiling Remote box and Recessed Luminaire J-Box



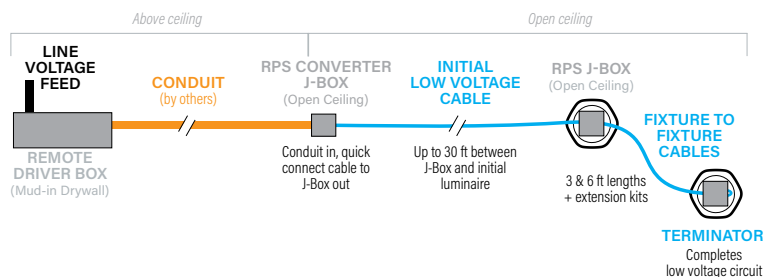
**XF MOUNTING TYPE**

Mud-In Drywall Remote box and Recessed Luminaire J-Box



**XFO MOUNTING TYPE**

Mud-In Drywall Remote box and Open Ceiling Luminaire J-Box



**REMOTE POWER SYSTEM ORDERING**

Remote Power System Polina RPSPOL

**Mounting Type**

Remote Box Location	Luminaire J-box Location
Open Ceiling	Open Ceiling
Open Ceiling	Recessed
Mud-In Drywall (IC rated)	Recessed
Mud-In Drywall (IC rated)	Open Ceiling

For mixed mounting configurations, consult factory.

**Quantity of Luminaires Powered**

See offering table for availability

Qty of Luminaires \_\_\_L

**Initial Cable Length\***

Leave blank for XF Mounting Type. Cable from Remote Driver box to first RPS J-box.

9ft	9IC
30ft	30IC

**Fixture to Fixture Cable Length\***

Leave blank for OCR & XF Mounting Types.

3ft	3FC
6ft	6FC

**Lumen Output**

Must match specified luminaires

Low	LWP
Medium	MDP
High	HHP
Max	MXP

**Circuit**

Single Circuit 1C

**Voltage**

120/277 UNV UNV

**Control System & Dimming Level**

0-10V - 1% Dimming L11

**Factory Options**

Chicago Plenum CP

**Remote Box Faceplate Color**

Matte Black	BK
Matte White	WH
Palladium Silver	PS

**Canopy Type**

Shallow Canopy SC

**Canopy Color**

Matte Black	BK
Matte White	WH
Palladium Silver	PS

**REMOTE POWER SYSTEM CABLE EXTENSION KIT**

Order additional cable lengths to extend the distance between fixtures.\* Not compatible with OCR or XF Mounting Types.

3ft	RPS-KIT3
6ft	RPS-KIT6

\*Cables may not be cut to length in the field.

**REMOTE POWER SYSTEM AVAILABILITY**

Lumen Output	Luminaires per remote box	Drivers per remote box
Low (LWP)	1-11	1
	12-22	2
Medium (MDP)	1-5	1
	6-10	2
High (HHP)	1-4	1
	5-8	2
Max (MXP)	1-3	1
	4-6	2

Fixtures will be evenly divided between drivers when possible. For an odd number of fixtures, driver 1 will power the additional fixture. For alternate fixture/driver layouts, consult factory.

## REMOTE POWER SYSTEM SPECIFICATIONS

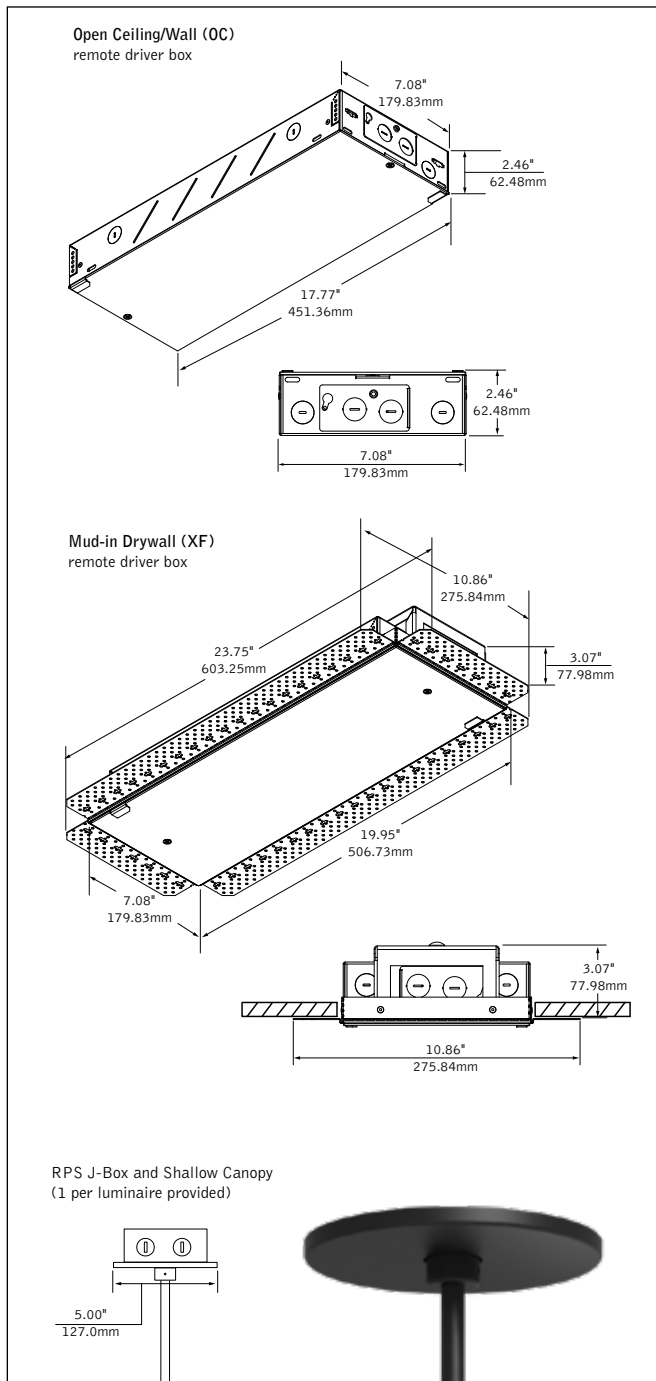
### Construction

Flexible and modular plug and play remote power system. Open Ceiling (OC, OCR) remote power box is rated for surface mounting in open ceiling or wall applications. Not to be installed in any recessed condition. Remote power box is easily installed in an open ceiling space or an adjacent electrical room with direct to strut and surface mounting features. Mud-In Drywall (XF, XFO) remote power box is Type IC inherently protected, suitable for direct contact with insulation. Decorative access plate is removable for ease of installation and maintenance.

### Electrical

Standard 120-277V driver includes 0-10V analog dimming. Power factor > .9. 3-wire constant current architecture ensures uniform illumination to support any fixture spacing requirements. Low-voltage Class 2 cable wiring system easily daisy chains multiple fixtures and eliminates electrical conduit in open ceiling applications. CMP (Plenum rated) cable with UL94V-0 rated connectors.

### Remote Power System (RPS) details



### Labels

UL and cUL listed. Suitable for Dry Locations, indoor use only.

### Faceplate Finish

Polyester powder coat applied over a multi-stage pre-treatment.

### Reliability

At Focal Point, our products are designed to stand the test of time. Each luminaire is engineered using superior components, manufactured with the utmost care and rigorously tested. Contact us for reliability data.

### Warranty

Open ceiling (OC, OCR) remote power box rated for ambient temperatures up to 40°C. Recessed ceiling (XF, XFO) remote power box rated for ambient temperatures up to 25°C. 5-year limited warranty.

### MPC - Mini Power Canopy

