

Polina® Indirect Pendant

PENDANT | FPOLP-SHX-10-RPS



FOCAL POINT®



BEFORE YOU BEGIN

- Luminaires must be installed by a qualified electrician (check with local and national codes for proper installation).
- To prevent electrical shock, disconnect electrical supply before installation or servicing.
- Contractor is responsible for adequately reinforcing walls and/or ceilings to support fixture weight.
- Focal Point, LLC accepts no responsibility for inadequately reinforced walls and/or ceilings.
- The information contained in this drawing is the sole property of Focal Point, LLC. Any reproduction in part or whole without the written permission of Focal Point, LLC is prohibited.

INSTRUCTION KEY



ATTENTION



SEE ADDITIONAL INSTRUCTIONS



POWER OFF



POWER ON

HANDLING & CLEANING



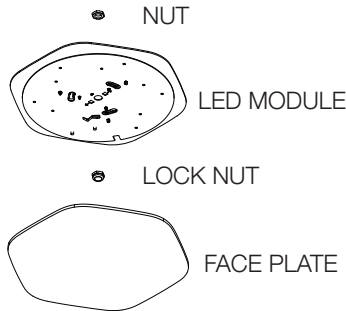
Use can of compressed air to remove dust and debris from dust cover.



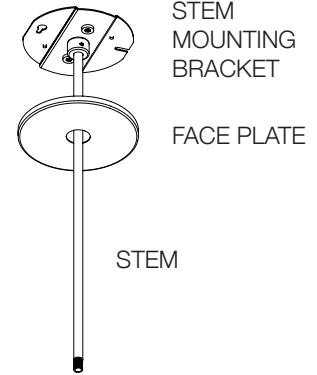
Lightly wipe dust cover with damp cloth. Do not leave excess moisture on surface.

COMPONENT KEY

LIGHT ENGINE



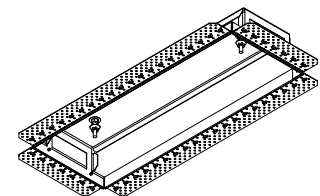
STEM MOUNT



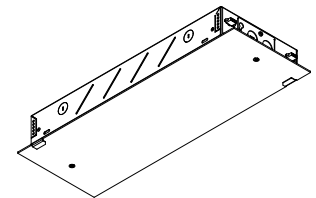
SHIPPED INSTALLED



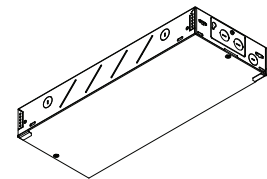
REMOTE POWER SYSTEM



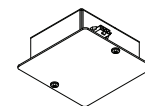
MUD-IN CHASIS



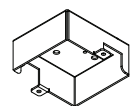
MUD-IN REMOTE POWER BOX



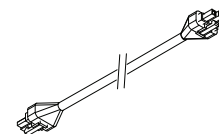
OPEN CEILING REMOTE POWER BOX



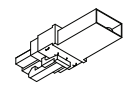
CONVERTER J-BOX



RPS J-BOX

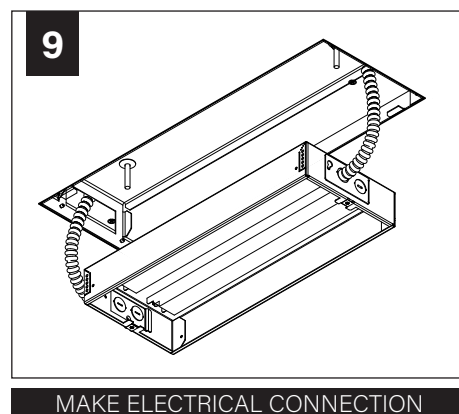
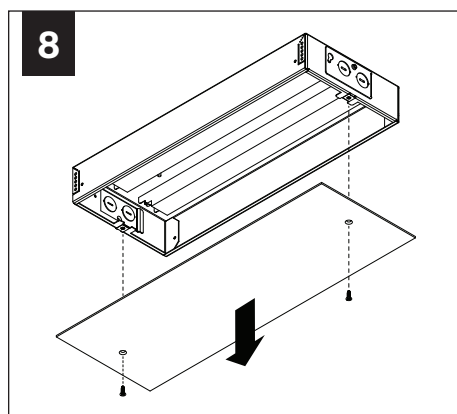
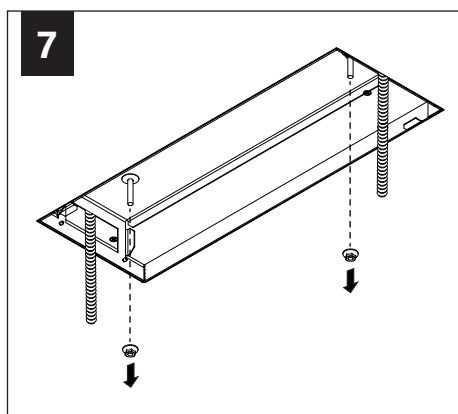
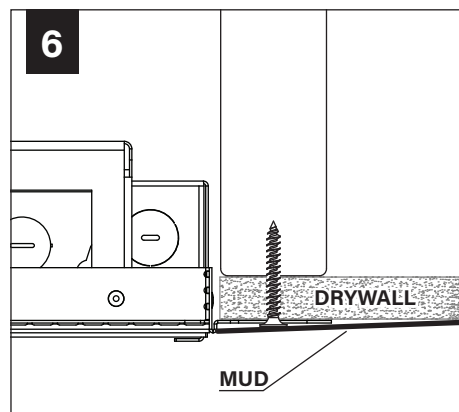
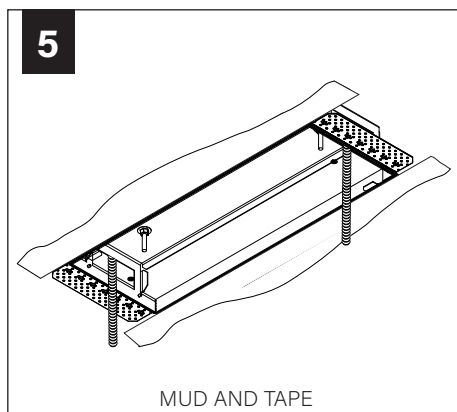
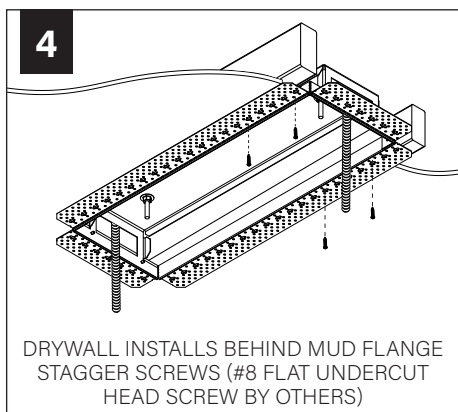
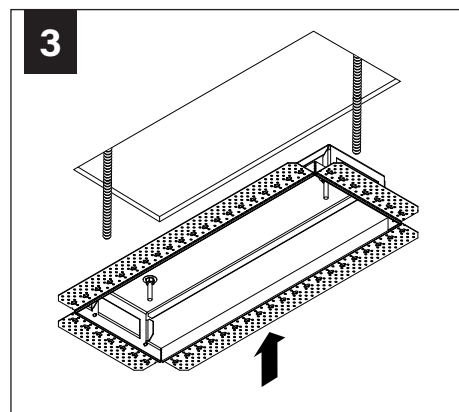
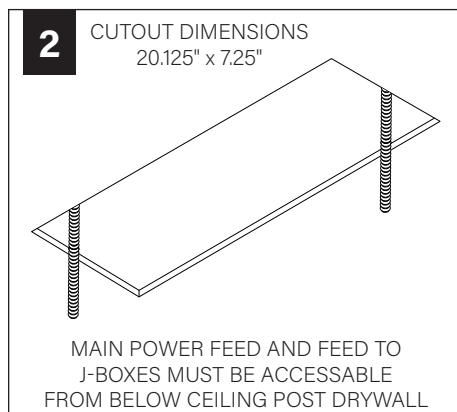
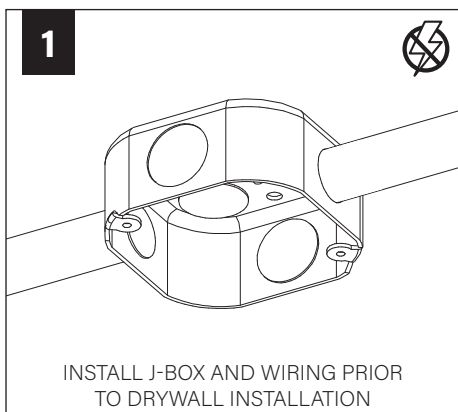
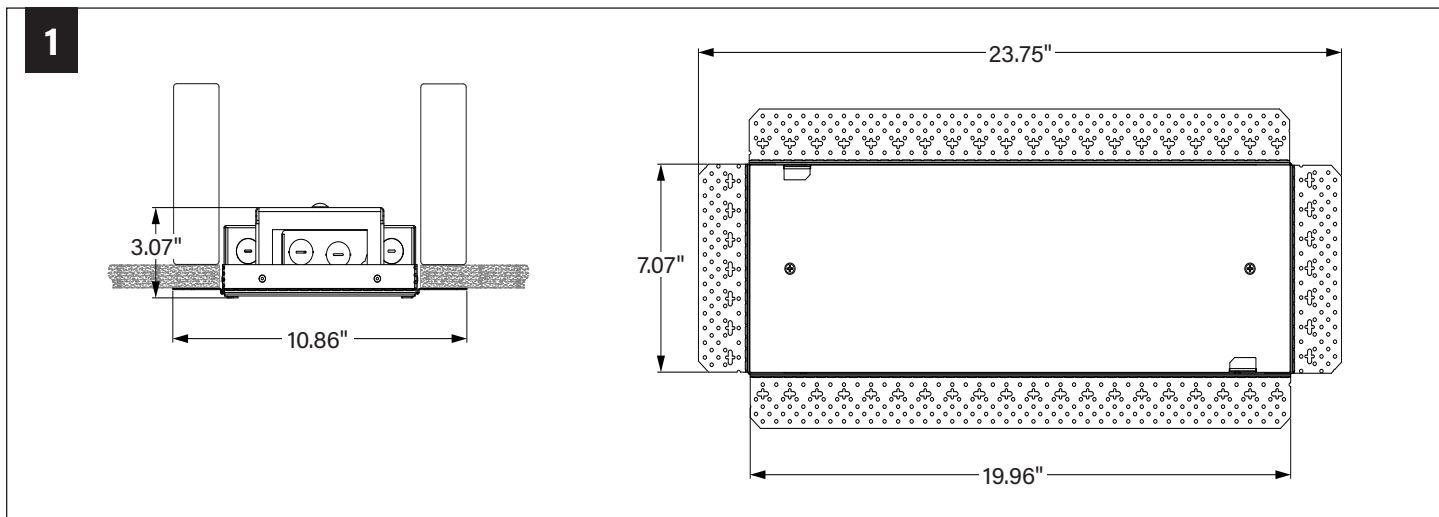


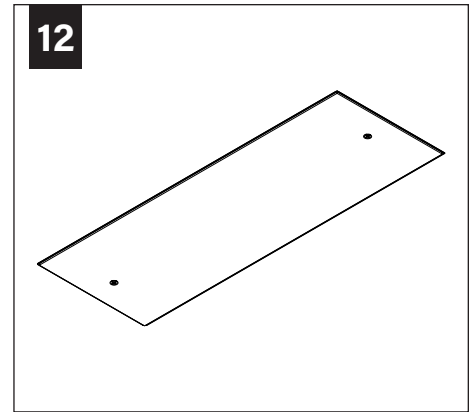
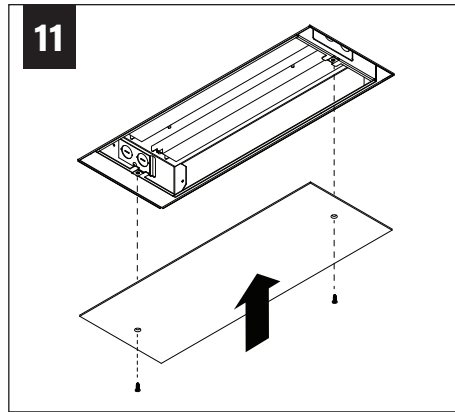
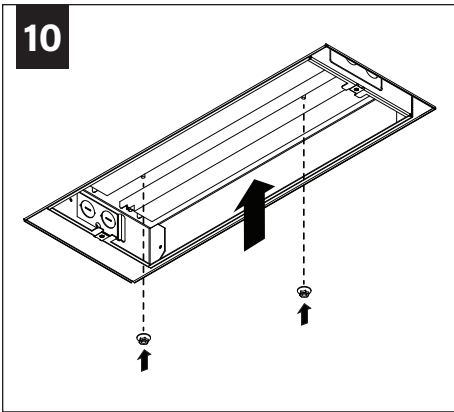
LOW VOLTAGE CABLE



TERMINATOR

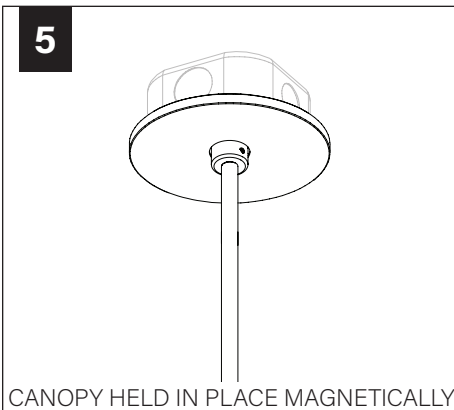
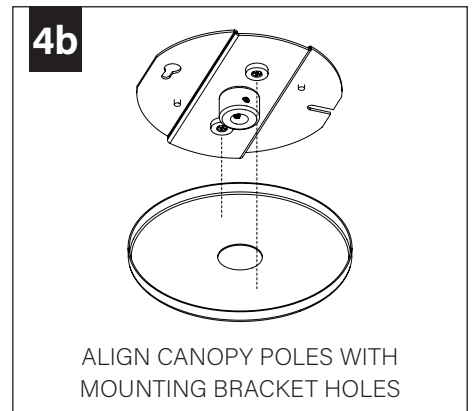
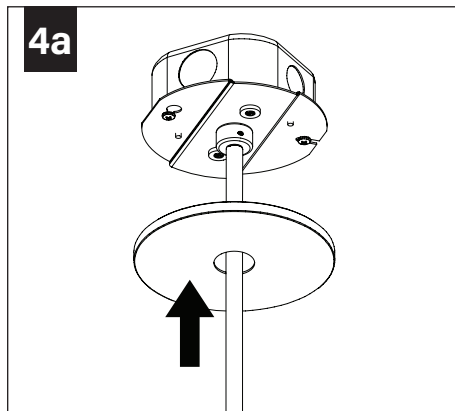
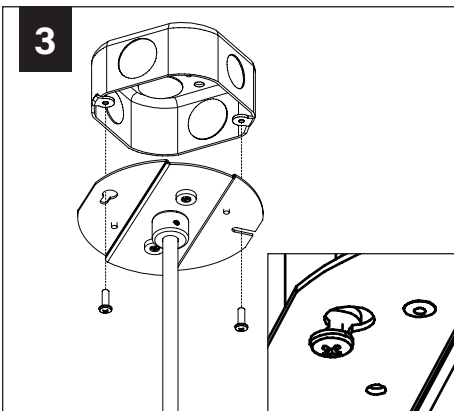
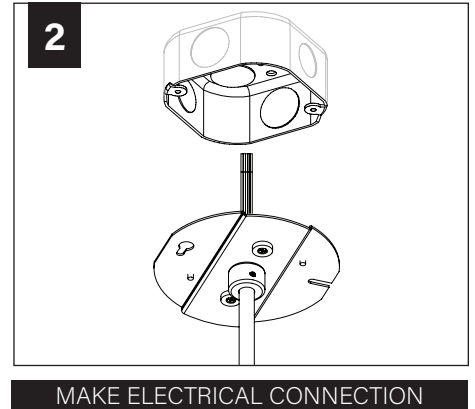
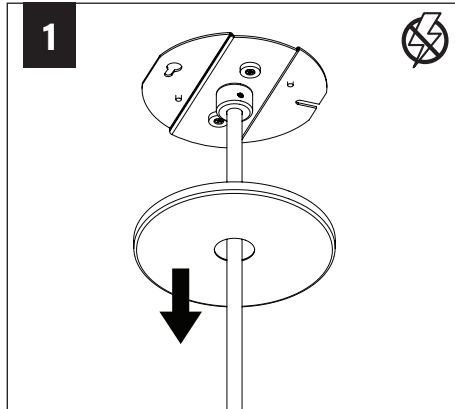
REMOTE POWER SYSTEM - MUD-IN DRYWALL





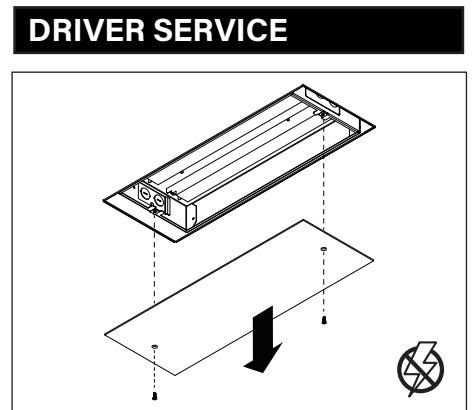
I

SEE **PAGE 7** FOR FIELD CUTTABLE STEM INSTRUCTIONS (OPTIONAL) PRIOR TO CANOPY AND STEM INSTALLATION



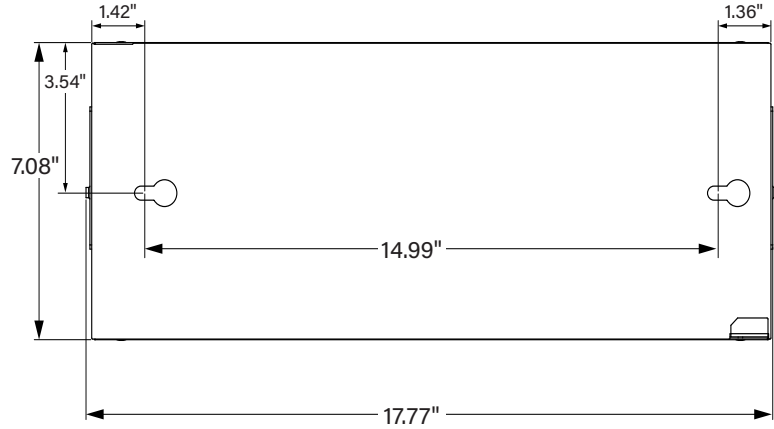
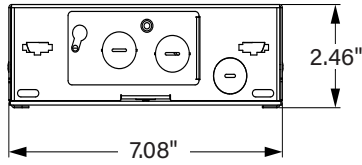
I

SEE **PAGES 8-10** FOR ACOUSTIC SHADE AND LIGHT MODULE INSTRUCTIONS



REMOTE POWER SYSTEM - OPEN CEILING

1



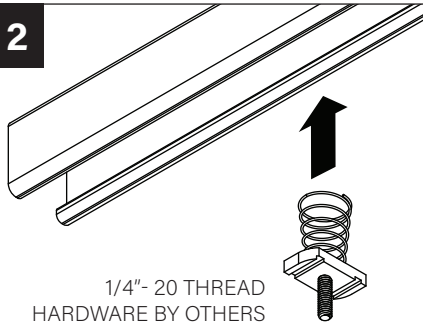
2

**HARD CEILING
INSTALLATION**



1/4" - 20 ANCHOR
HARDWARE BY OTHERS

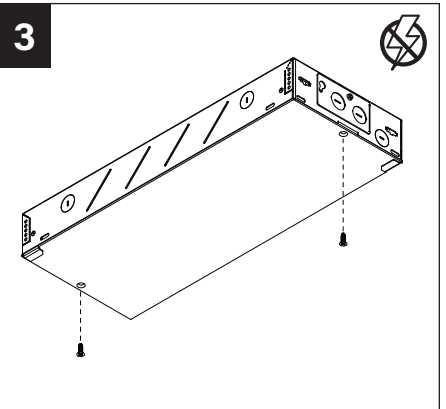
2



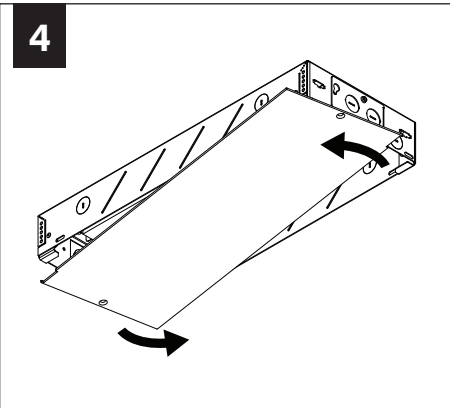
1/4" - 20 THREAD
HARDWARE BY OTHERS

STRUT INSTALLATION
(USED FOR INSTRUCTIONS)

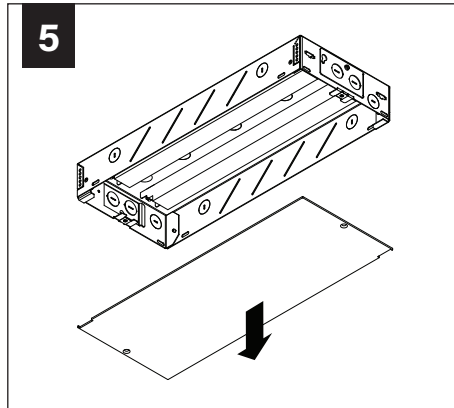
3



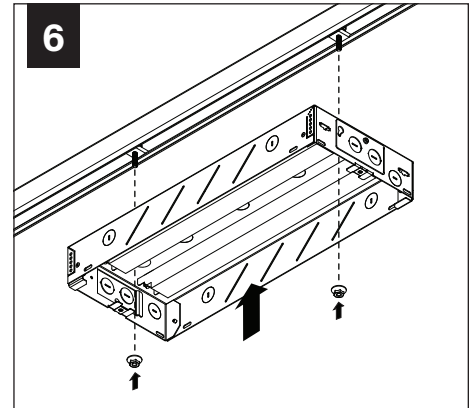
4



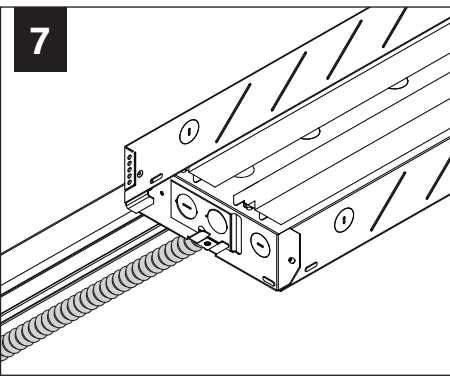
5



6

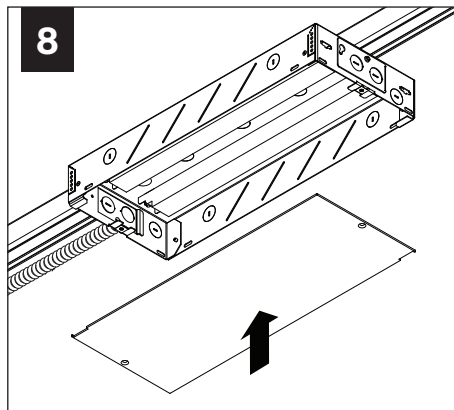


7

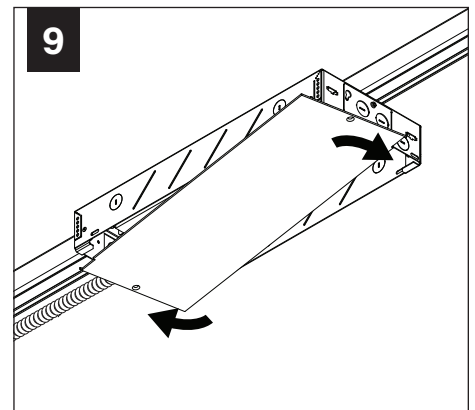


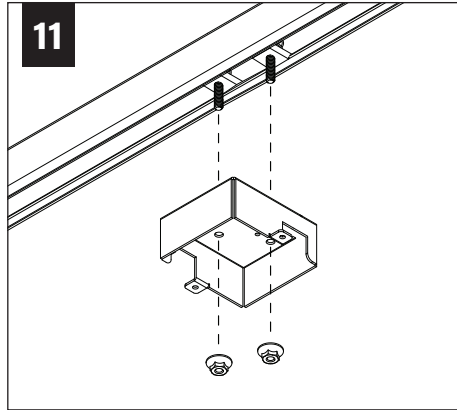
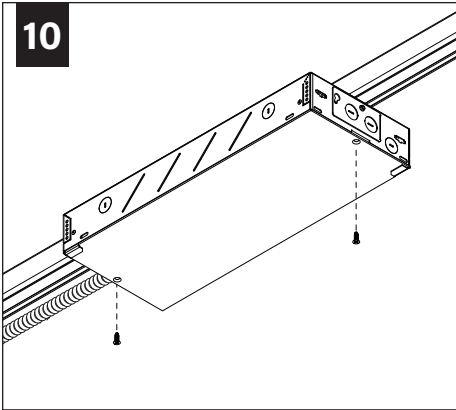
MAKE ELECTRICAL CONNECTION

8



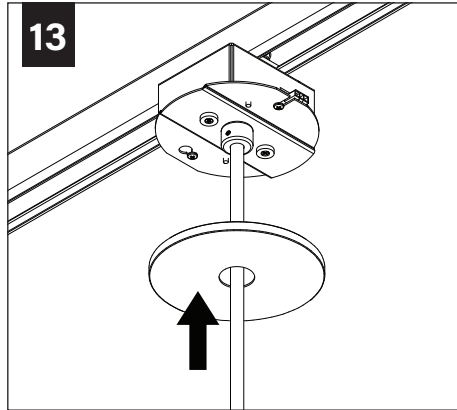
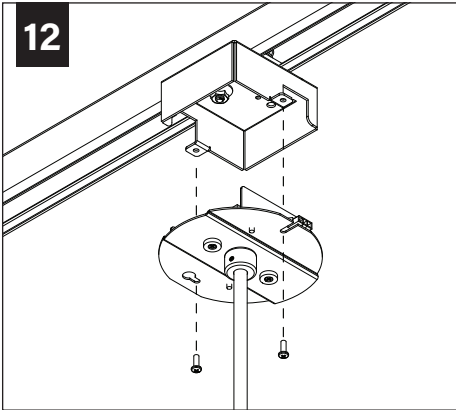
9





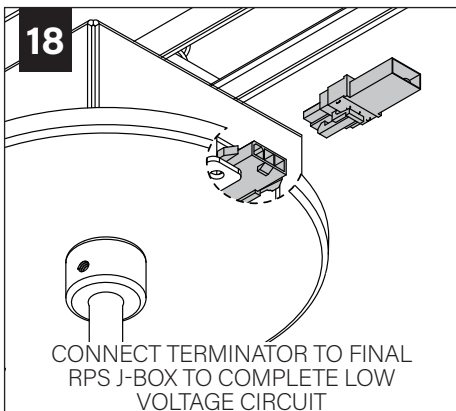
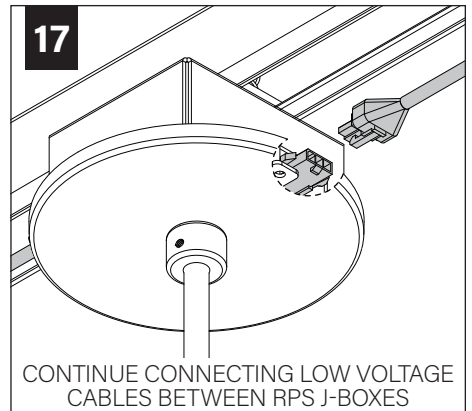
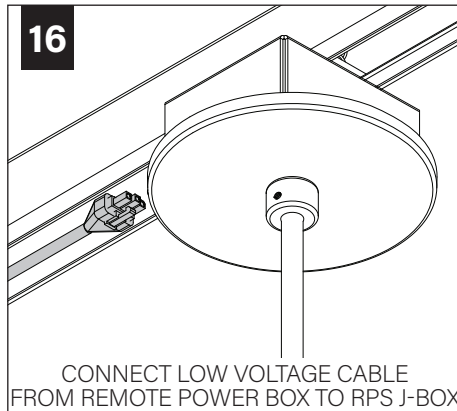
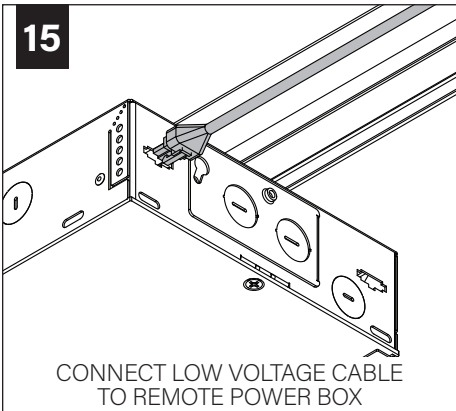
I

SEE **PAGE 7** FOR FIELD CUTTABLE
STEM INSTRUCTIONS (OPTIONAL)
PRIOR TO CANOPY AND STEM
INSTALLATION



14

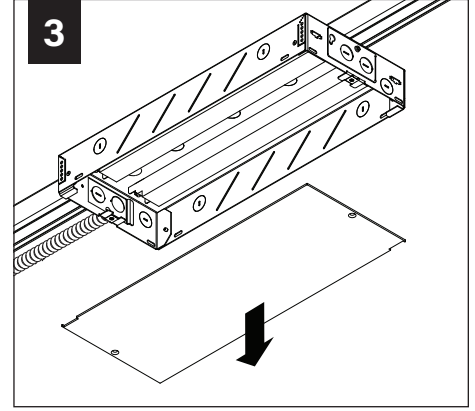
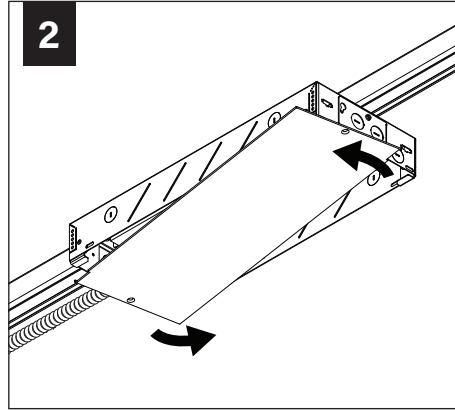
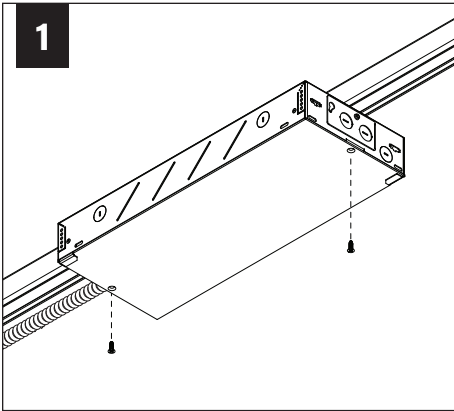
CANOPY HELD IN PLACE MAGNETICALLY



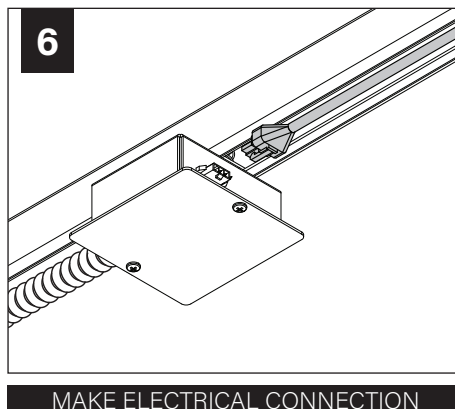
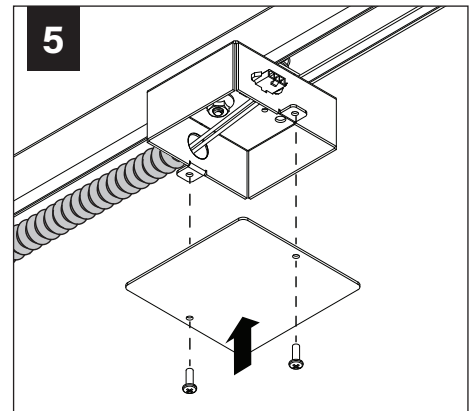
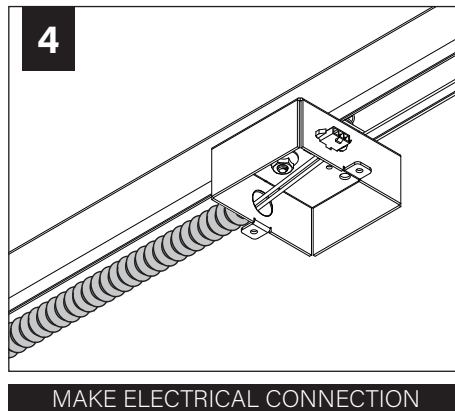
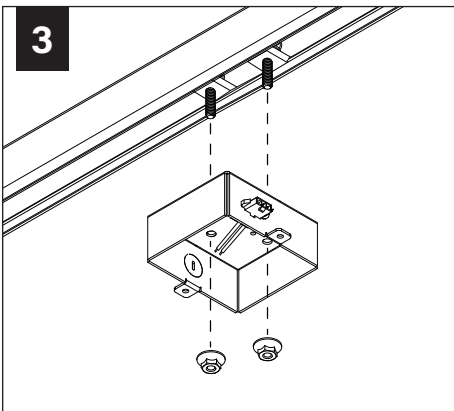
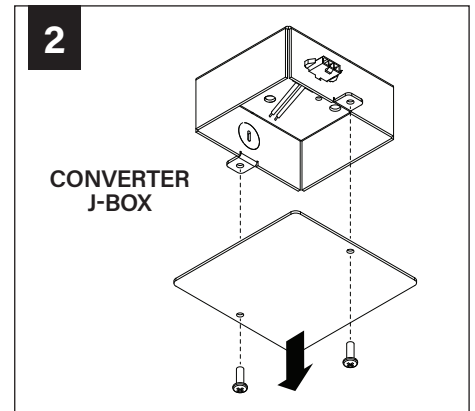
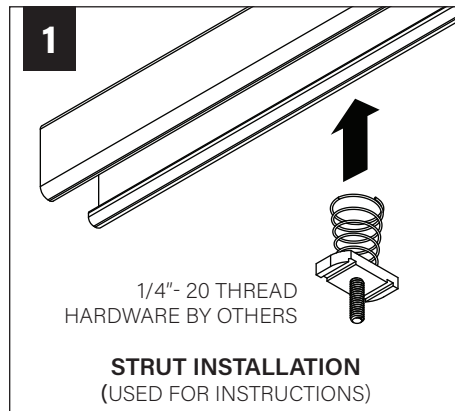
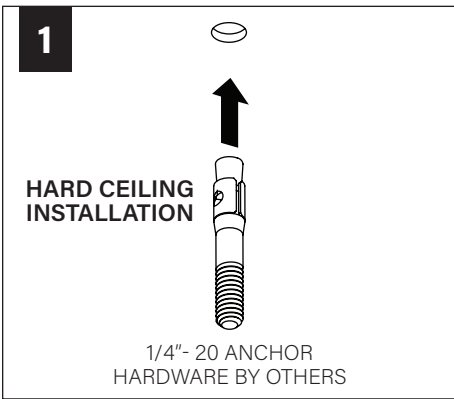
I

SEE **PAGES 8-10** FOR ACOUSTIC
SHADE AND LIGHT MODULE
INSTRUCTIONS

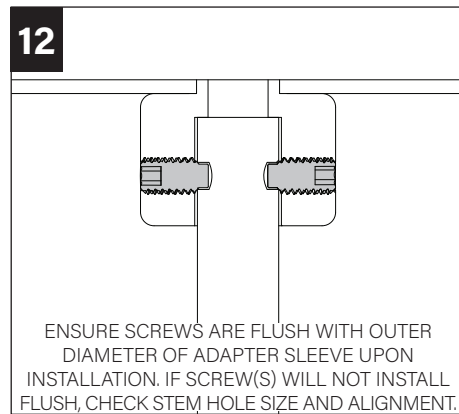
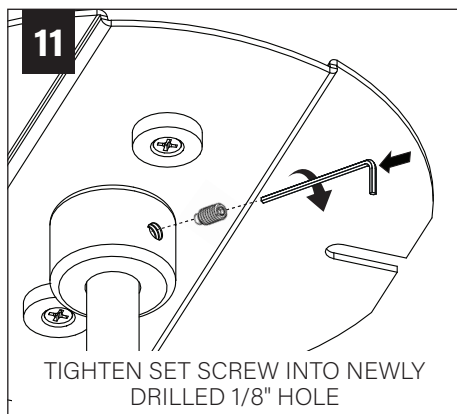
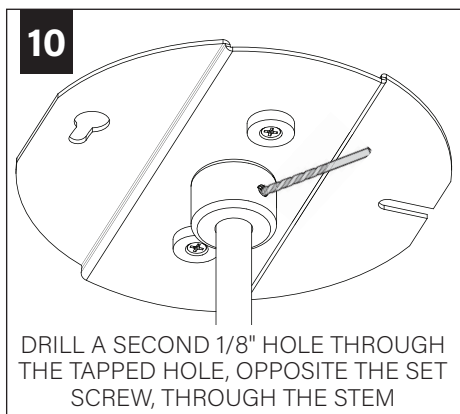
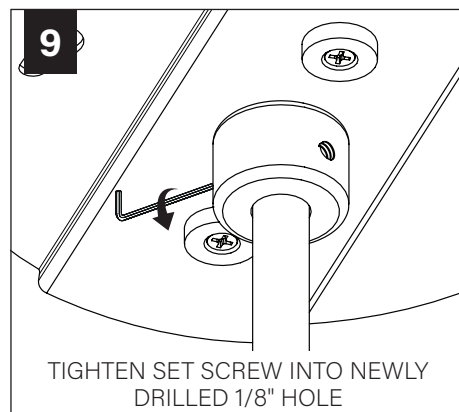
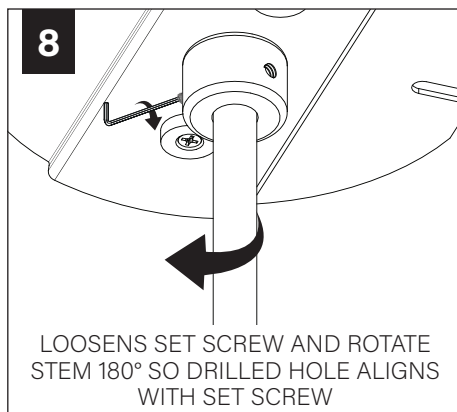
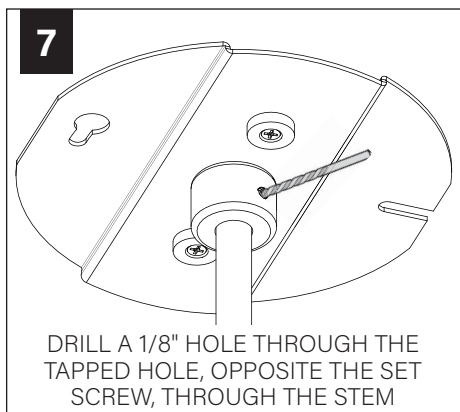
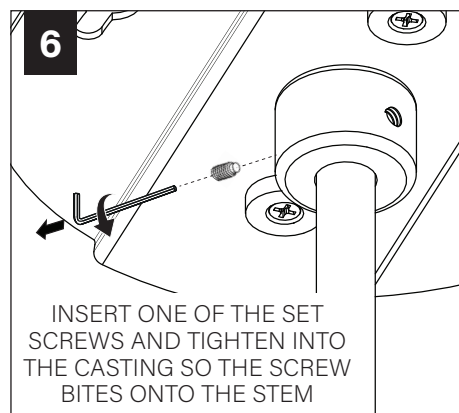
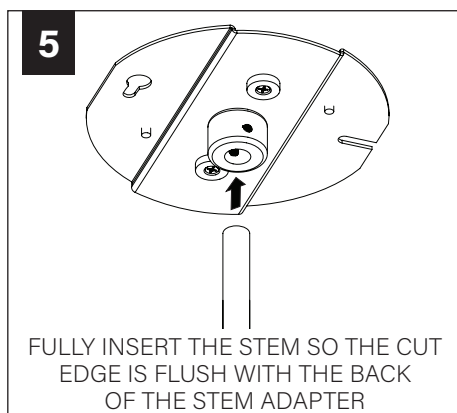
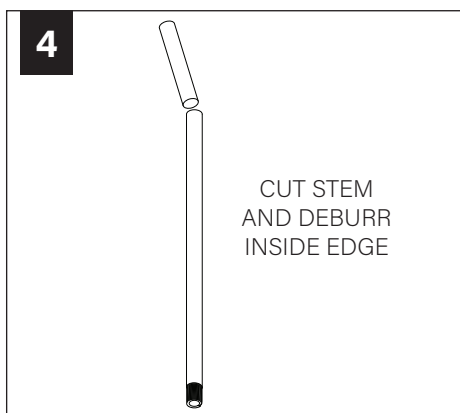
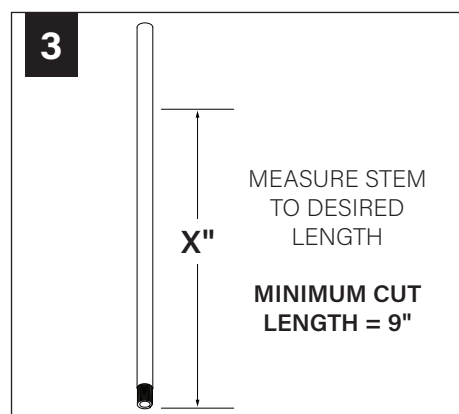
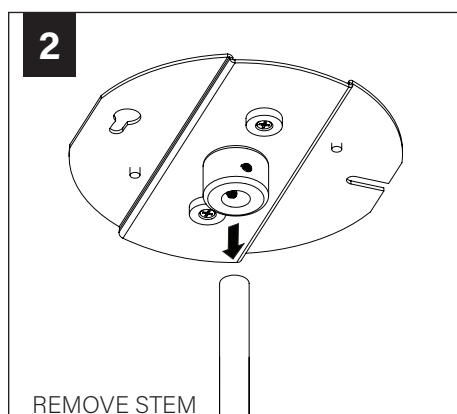
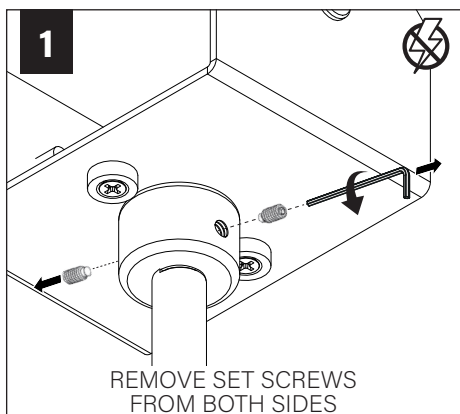
DRIVER SERVICE



TRANSITIONAL CEILING



FIELD CUTTABLE STEM (OPTIONAL)



LED MODULE

