

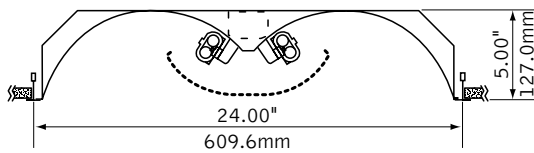


perforated



radial blade louver

DIMENSIONAL DATA



Overall height for ST luminaire is 5.50"

lamping options



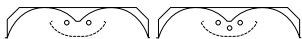
BIAX LAMPS



T8 U-BEND LAMPS



T8 LAMPS



T5/T5HO LAMPS

FEATURES

2'x2' recessed indirect with perforated center basket.

Reflector and end caps form seamless one-piece housing.

High reflectance, low gloss Matte White finish controls glare and provides high efficiency.

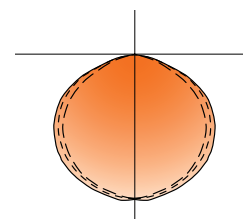
Perforated shield hinges open for quick and easy relamping.

Optional radial blade louver offers a distinct look that highlights interior architecture.

All luminaire combinations may be continuously row mounted.

Luna[®] provides high angle uniform distribution ideal for general illumination.

PERFORMANCE



2-Lamp 40W Biax

70% Efficient

1598 cd @ 5°

PRODUCT OVERVIEW

Lumen Output: 1641-5762lm

Wattage: 32-98W

Lamping: Biax, T5,
T5HO, T8,
T8U

Visit focalpointlights.com for complete photometric data.

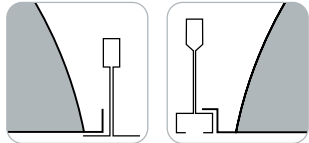
fixture:

project:

MOUNTING INFORMATION

grid

specify "G" for flat 9/16" and 15/16" tee or "ST" for 9/16" slot tee grid types.



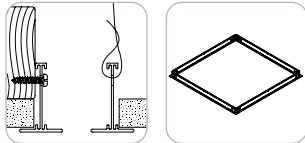
"G" flat tee
Luminaires may be installed in T-bar ceiling systems up to 1 11/16" high".

"ST" slot tee
Luminaires may be installed in T-bar ceiling systems up to 1 11/16" high".

Overall height for ST luminaire is 5.50".

drywall frame kit

specify "DF" Drywall Frame Kit for drywall ceiling conditions.



Use tie-wire or screws to secure frame kit.

cut out dimensions:
2': Min: 24.25"
Max: 24.563"

SPECIFICATIONS

Construction

One-piece 20 Ga. steel reflector and housing. 20 Ga. steel ends form finished housing. Lamps are shielded by detachable 22 Ga. steel perforated lamp shield with acrylic lens insert. Lamp shield is secured by four spring-pins allowing shield to hinge down for relamping. Optional radial blade louver: .75"H x 1" frequency fabricated of 20 Ga. steel with acrylic lens insert. Top access 20 Ga. steel ballast compartment. Weight: 20 lbs.

Optic

One-piece 20 Ga. steel reflectors finished in Matte Satin White powder coat.

Electrical

Electronic ballasts are thermally protected and have a Class "P" rating. Optional dimming ballasts available. Consult factory for dimming specifications and availability.

Labels

UL and cUL listed.

Finish

Polyester powder coat applied over a multi-stage pre-treatment.

ORDERING

Luminaire Series		FLU
Luna	FLU	
Nominal Size		
2' x 2'	22	
Shielding		
Perforated Shield	PS	
Radial Blade Louver	RLP	
Lamp Quantity		
Two Lamps	2	
Three Lamp	3	
Lamp Type		
40 Watt Biax	BX40	
T8	T8	
<small>(1 11/16" maximum grid height)</small>		
T5	T5	
T5HO	T5HO	
Circuit		
Single Circuit	1C	
Dual Circuit	2C	
Voltage		
120 Volt	120	
277 Volt	277	
347 Volt	347	
<small>(Consult factory for dimming options)</small>		
UNV Volt	UNV	
<small>(Cannot be specified with EM option)</small>		
Ballast		
Electronic Program Start <10% THD	S	
0-10V	D7	
Lutron 1% 3-wire	DH	
<small>(5% for Biax)</small>		
Lutron 1% H-Series	DK	
<small>(5% Hi-Lume 3D for Biax)</small>		
Mounting		
Drywall Frame Kit	F	
<small>(Cut out dimensions: Min: 24.25" Max: 24.563")</small>		
Grid	G	
Slot Tee	ST	
Surface Mount	SM	
Factory Options		
Air Return	AR	
Chicago Plenum	CP	
Dust Cover	DC	
Emergency Battery Pack*	EM	
Positional Clip	EQ	
HLR/GLR Fuse	FU	
6' New York City Flex Whip	FNy	
6' Flex Whip	FW	
Include 3000K Lamp*	L830	
Include 3500K Lamp*	L835	
Include 4100K Lamp*	L841	
Ballast Saving Tandem*	BST	
Labor Saving Master Satellite*	LS	
Separate Circuit Tandem*	SCT	
Finish		WH
Matte Satin White	WH	