

id⁺ 2.5"

LED DECORATIVE LENS



clear frosted



green frosted



white trim



titanium silver trim

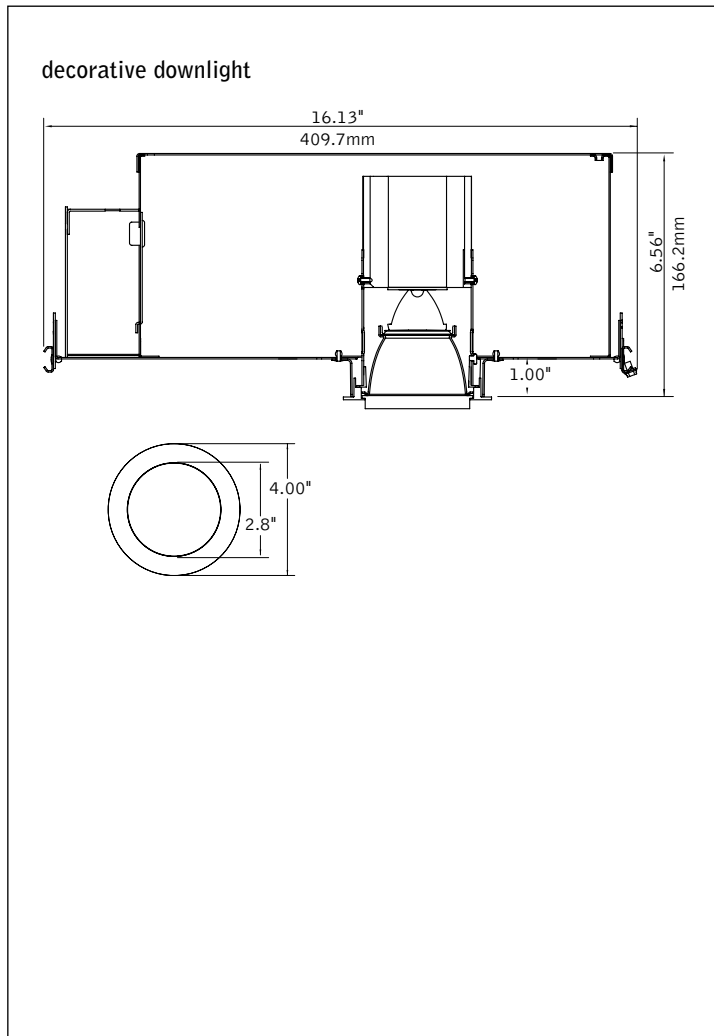


bronze trim



black trim

DIMENSIONAL DATA



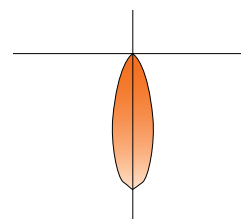
FEATURES

Small aperture LED downlight with dropped decorative lens.

Selection of dimming drivers available.

Glowing frosted lens available in two colors.

PERFORMANCE



PRODUCT OVERVIEW

Lumen Output:	750-1252lm
Wattage:	10-19W
LPW:	66-75
SDCM:	3
Lifetime:	L70 @ 50,000hrs

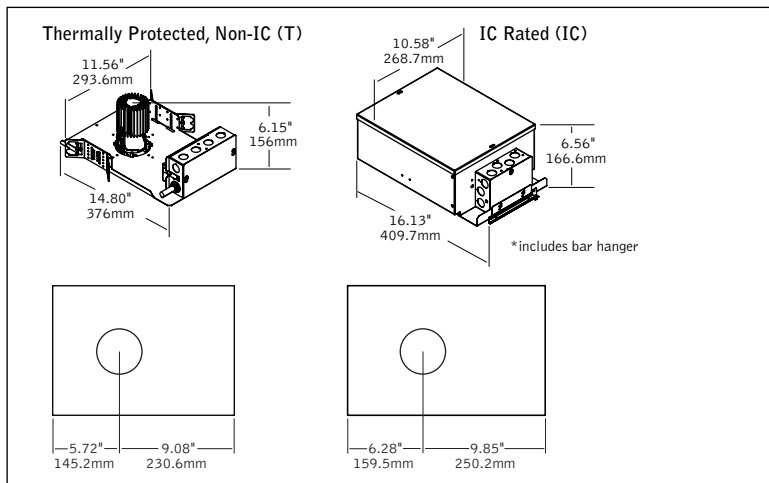
3000K, High Output (LL3)

Delivered Lumens: 1252lm

Tested System Watts: 19W

Photometric performance is measured in accordance with IESNA LM-79. Visit focalpointlights.com for complete photometric data. Visit energystar.gov for model specifics.

HOUSING DETAILS



HOUSING SPECIFICATIONS

Construction

Die-formed housing and integral junction box with (7) 1/2" pry outs. Accommodates ceiling thicknesses up to 1". For thicker ceiling consult factory. Die-cast aluminum heat sink designed for maximum thermal dissipation. Fixture will not exceed 5 lb.

(T) Thermally protected housing for new construction. Insulation to be kept 3" away from housing. Butterfly brackets allow mounting to 1/2" emt. Order bar hangers as an accessory.

(IC) Insulated ceiling housing for new construction drywall/hard ceiling applications with direct insulation contact. Bar hangers included. Housing complies with ASTM E-283, air-tight energy codes.

Electrical

Choice of constant current dimming drivers. Power factor >.9 typical, 50/60 Hz., 350-2080mA.

Emergency battery

Bodine BSL17C-C2. Emergency output—7 watts for 90 minutes.

Labels

UL and cUL Listed. Wet Label standard.

Lumen Maintenance

L70 at 50,000 hours

Warranty

LED System rated for operation in ambient environments up to 25°C. 5 year limited warranty.

TRIM SPECIFICATIONS

LED System

Proprietary LED module with one Cree MT-G2 LED. LED features EasyWhite technology for maximum efficacy, color consistency and optical control. Color accuracy within 2 SDCM.

Aesthetics

Field-paintable flange. Trim clips pull trim tight to the ceiling.

PERFORMANCE CHART

Optic	Output	Distribution	Delivered Lumens	System Watts
Decorative Lens	LL1	NFL	750	10
	LL2	NFL	965	14.6
	LL3	NFL	1252	19

*Tested with 3000K Clear Diffuse Reflector. **Lumen output may vary +/- 5%. 0.777 90 CRI lumen multiplier. Values in grey are estimated based on a relative comparison to the tested data.

HOUSING ORDERING

Housing Series	FLS2	<hr/>
ID+ 2.5" Round Housing	FLS2	<hr/>
Trim Type		<hr/>
Round Flush	RF	<hr/>
Round Overlap	RO	<hr/>
Output		<hr/>
Low Output	LL1	<hr/>
Standard Output	LL2	<hr/>
High Output	LL3	<hr/>
Voltage		<hr/>
120V	120	<hr/>
277V	277	<hr/>
Driver		<hr/>
0-10V - 1% Dimming	L11	<hr/>
0-10V - 10% Dimming	LD1	<hr/>
Forward Phase	LFP	<hr/>
Lutron A-Series	L3D	<hr/>
1% EcoSystem Digital <small>(Consult factory for 3-wire control)</small>		<hr/>
Lutron A-Series - Forward Phase <small>(120 only)</small>	LTE	<hr/>
Housing Type		<hr/>
Thermally Protected, Non-IC	T	<hr/>
IC Rated <small>(LL1 & LL2)</small>	IC	<hr/>
Factory Options		<hr/>
Bar Hangers <small>(T housing only)</small>	BH	<hr/>
Chicago Plenum / National Plenum <small>(IC housing only)</small>	CP	<hr/>
Emergency Battery Pack* <small>(Remote test switch, above ceiling access, T housing & RF trim only)</small>	EMR	<hr/>
TRIM & LED MODULE		<hr/>
Aperture		<hr/>
2.5" Round Aperture	LS2	<hr/>
Trim Type		<hr/>
Round	RD	<hr/>
<small>(Compatible with RO & RF housings)</small>		<hr/>
Color Temperature		<hr/>
2700K, 90+ CRI	927K	<hr/>
3000K, 90+ CRI	930K	<hr/>
3000K, 80+ CRI	30K	<hr/>
3500K, 80+ CRI	35K	<hr/>
Optic		<hr/>
Decorative downlight with Clear frosted lens	DNC	<hr/>
Decorative downlight with Green frosted lens	DNG	<hr/>
Distribution		<hr/>
20° Narrow Flood	NFL	<hr/>
Reflector Color		<hr/>
Clear Diffuse	CD	<hr/>
Flange Finish		<hr/>
White	WH	<hr/>
Black	BK	<hr/>
Titanium Silver	TS	<hr/>
Bronze	BR	<hr/>

A complete unit consists of two line items, housing and trim
Example: FLS2-LL1-LD1-120-RO-T | LS2-30K-RD-DNC-NFL-CD-WH

id[®] 2.5"

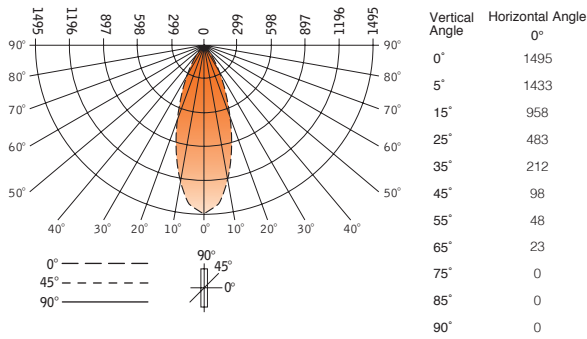
LED DOWNLIGHT - DECORATIVE LENS

FLS2 -SO-LL3 -T20-L11 -T /LS2-SQ-3SK-DN-NFL-CD-WH

Filename: FLS2DNSQ900L35KNFL.IES
 Test #: 18745.0

Lumens: 880lm
 System Watts: 19W
 LPW: 47

CANDELPower DISTRIBUTION



LUMEN SUMMARY

Zone	Lumens	% Fixture	
0-40°	740	84.0	
0-60°	852	96.8	
0-90°	880	100.0	
Total Luminaire	0-90°	880	100.0

Footcandle results based on AGI32; Reflectances=0/0/0; LLF=1

Go to www.focalpointlights.com for additional photometric data.