

# ID+ 3.5" Adjustable

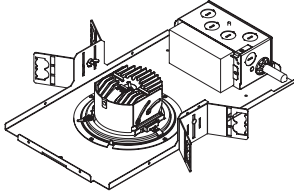
Round Trimless | FLCS3



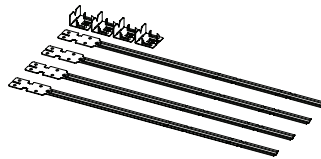
FOCAL POINT®

**LUMINAIRE MUST BE INSTALLED PRIOR TO DRYWALL CEILING.**  
**ALL GRID LUMINAIRES MUST BE SECURED TO STRUCTURE ABOVE.**

NON-EMERGENCY - THERMALLY PROTECTED, NON-IC



OPTIONAL - BAR HANGERS SOLD SEPARATELY



KEY



POWER OFF



POWER ON



ATTENTION

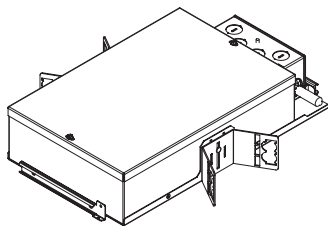


LEVEL



SEE ADDITIONAL INSTRUCTIONS

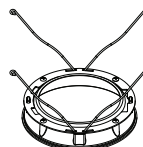
IC/CP



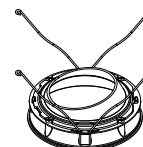
TRIM



SOLITE LENS



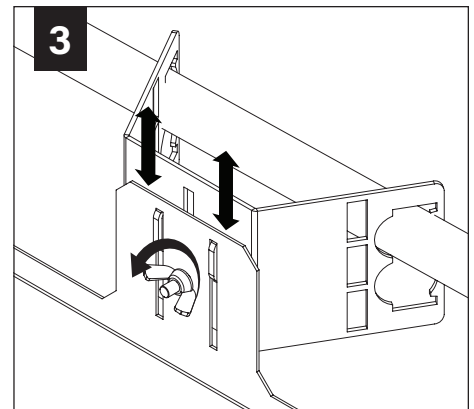
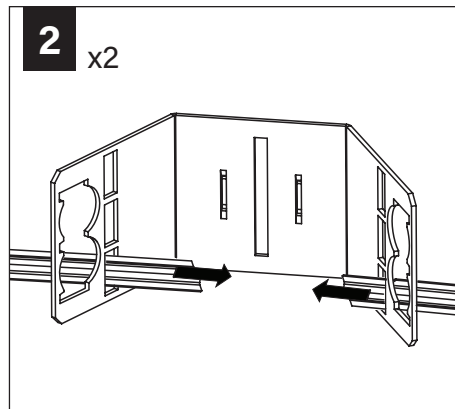
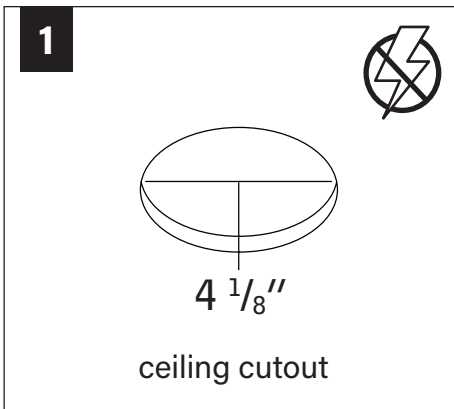
SPOT OPTIC,  
NO LENS  
0°-10° TILT



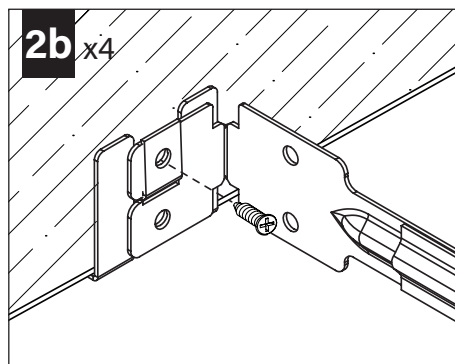
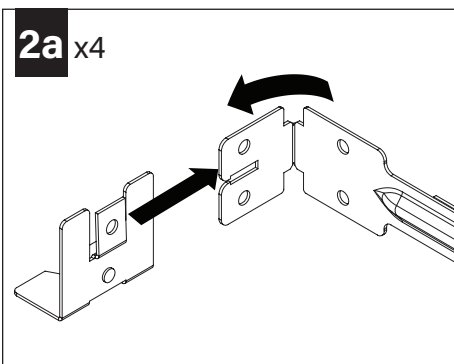
SPOT OPTIC,  
NO LENS  
10°-20° TILT



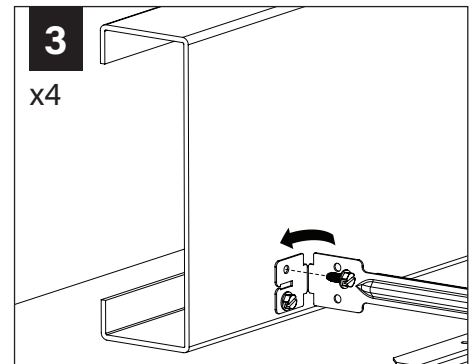
SPOT OPTIC,  
NO LENS  
20°-35° TILT



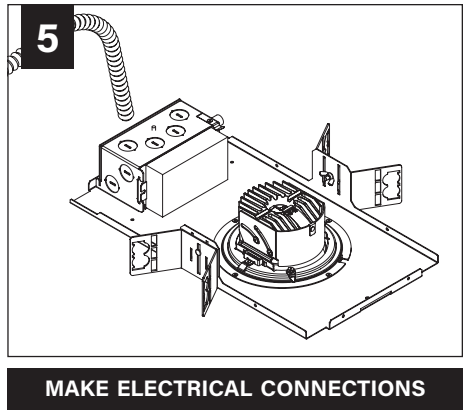
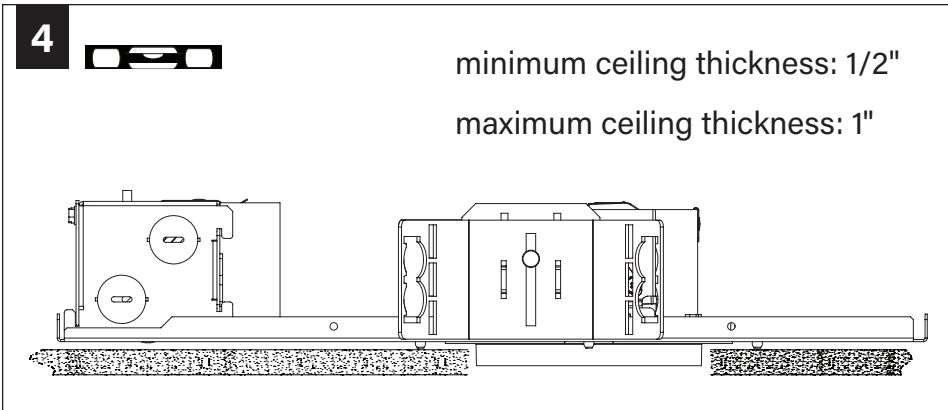
## WOOD STUDS



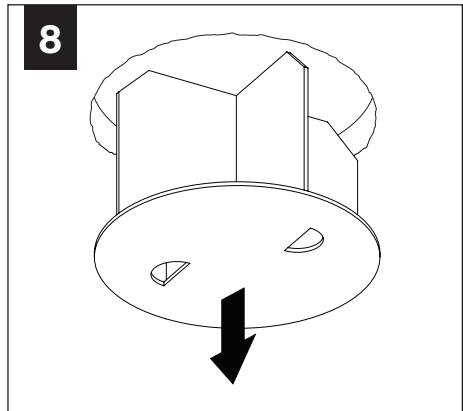
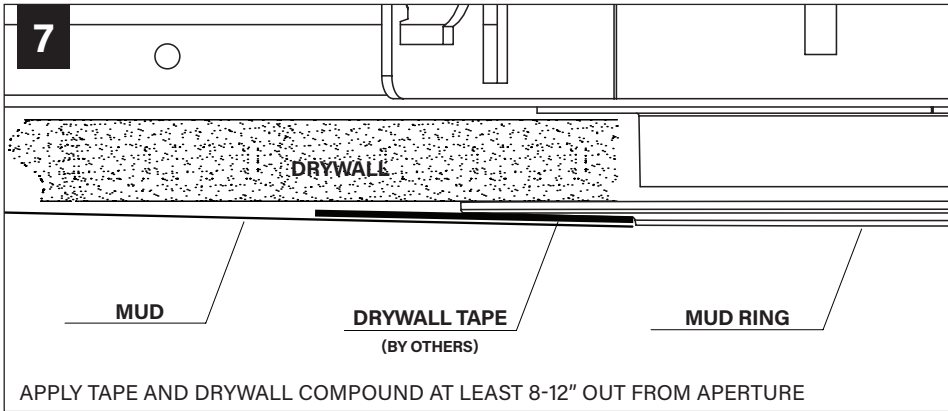
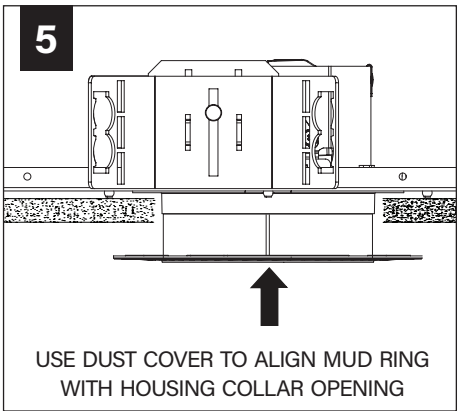
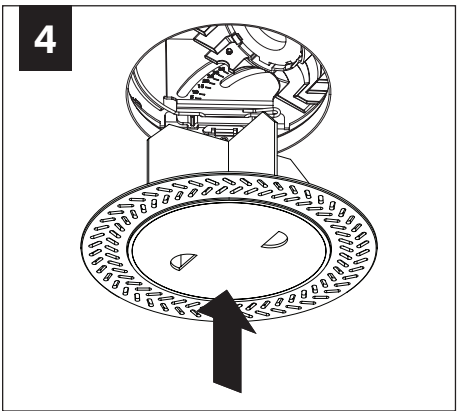
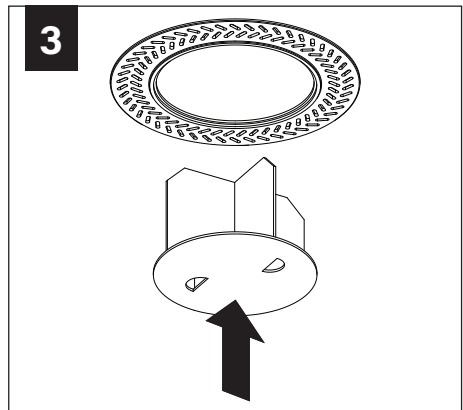
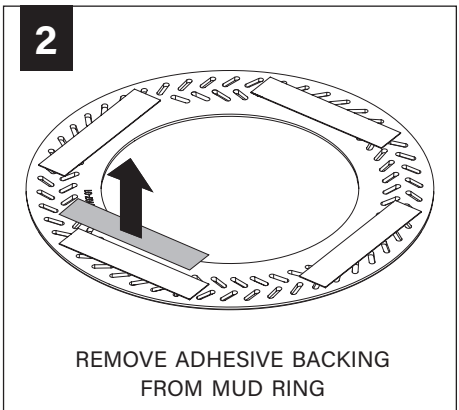
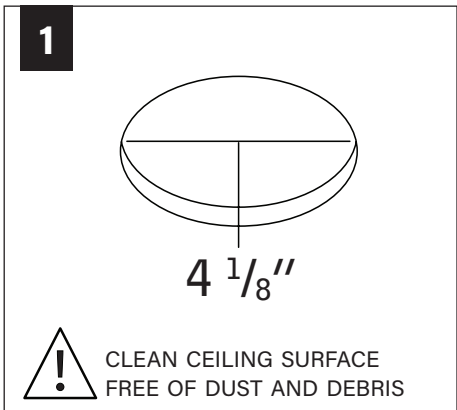
## METAL STUDS



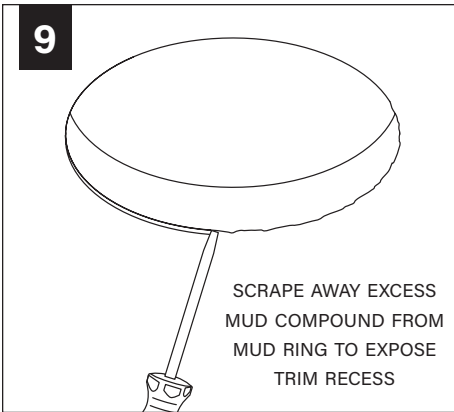
Luminaires must be installed by a qualified electrician (check with local and national codes for proper installation).  
 To prevent electrical shock, disconnect electrical supply before installation or servicing.



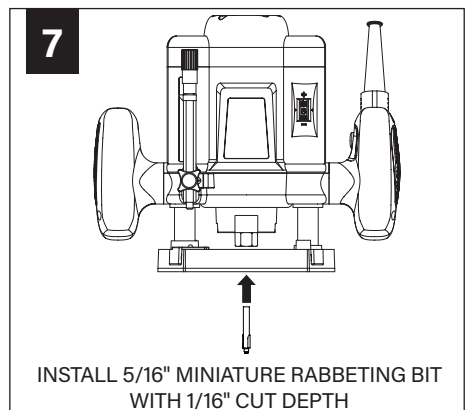
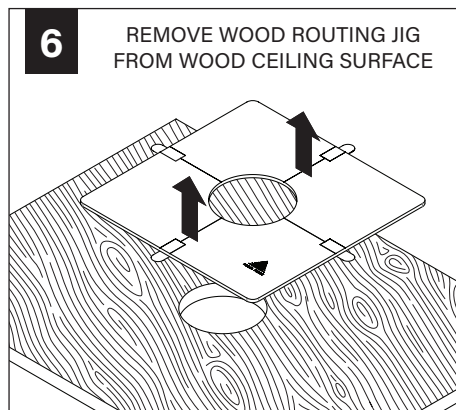
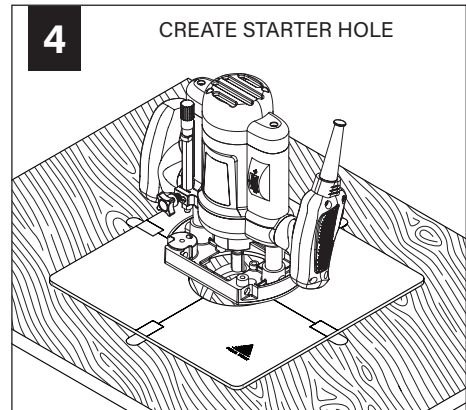
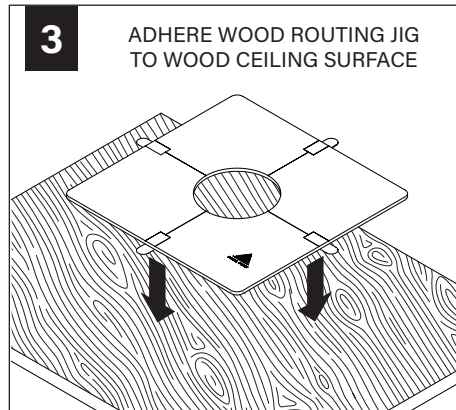
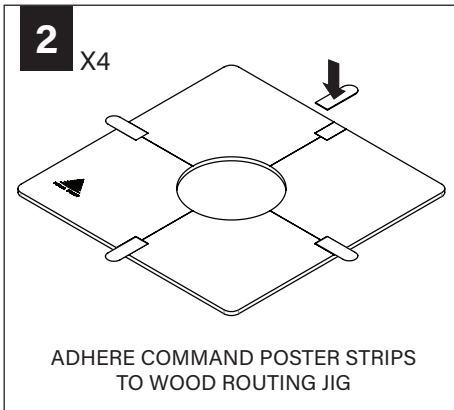
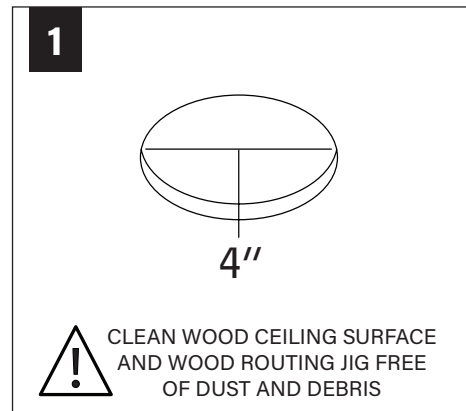
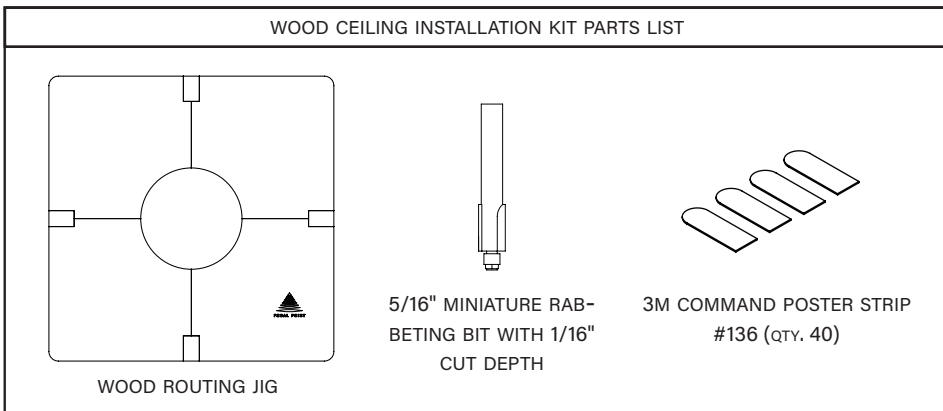
**MUD-IN**



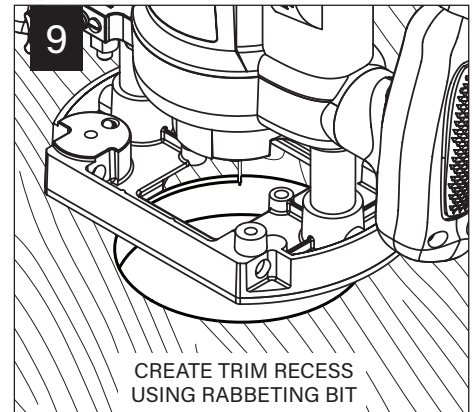
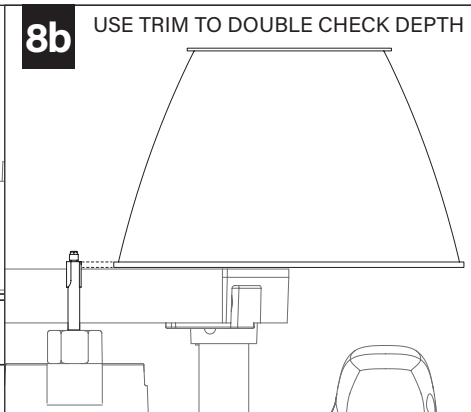
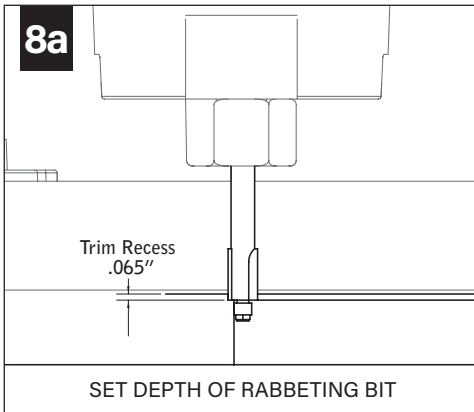
Fixtures must be installed by a qualified electrician (check with local and national codes for proper installation).  
To prevent electrical shock, disconnect electrical supply before installation or servicing.



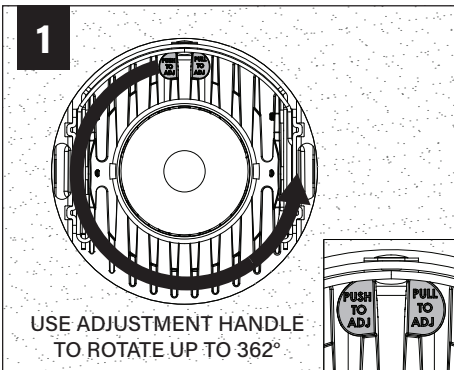
## WOOD CEILING



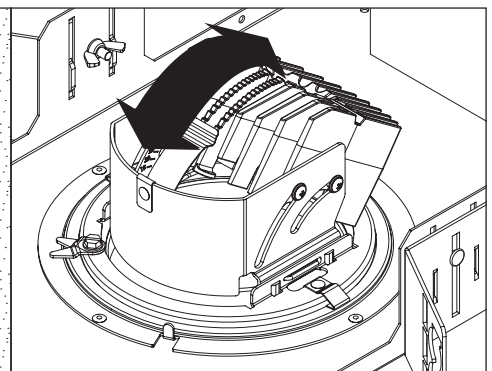
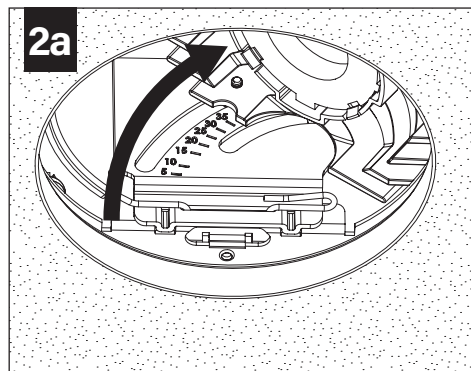
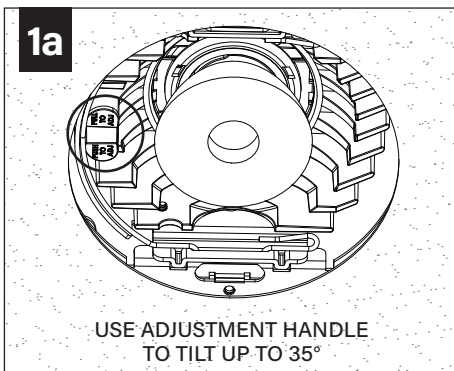
Fixtures must be installed by a qualified electrician (check with local and national codes for proper installation).  
To prevent electrical shock, disconnect electrical supply before installation or servicing.



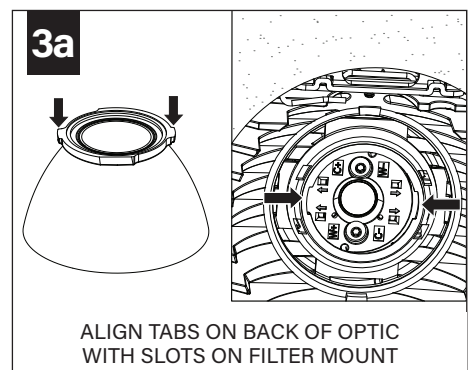
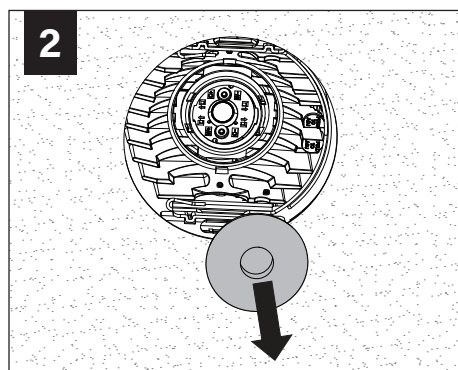
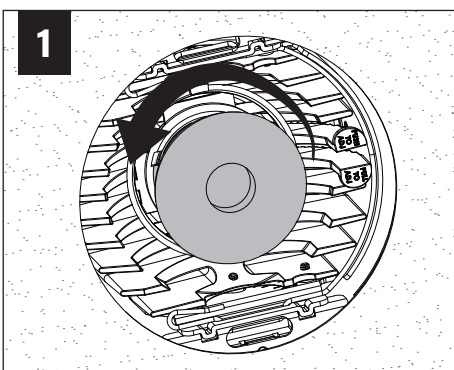
**ROTATE**



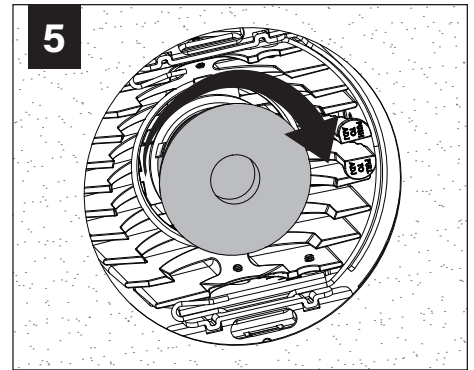
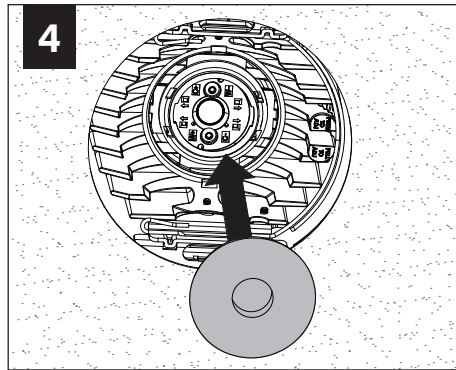
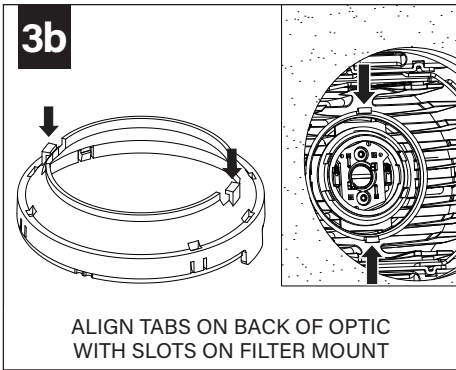
**TILT**



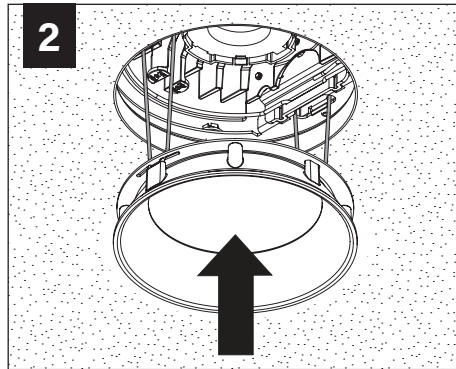
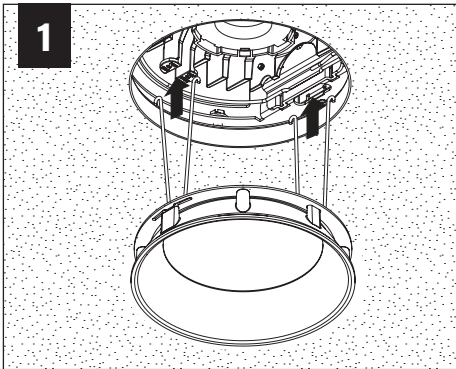
**OPTIC SERVICE**




Fixtures must be installed by a qualified electrician (check with local and national codes for proper installation).  
To prevent electrical shock, disconnect electrical supply before installation or servicing.

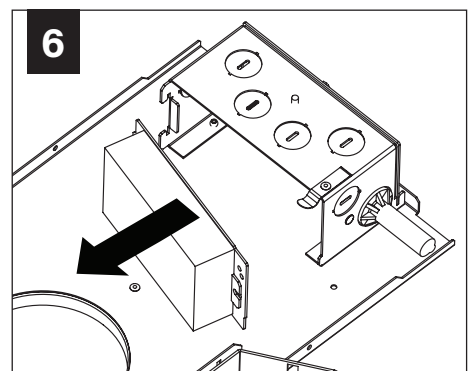
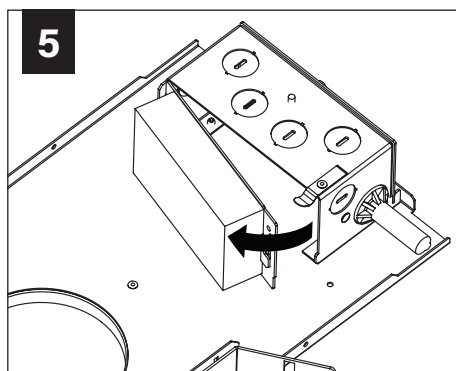
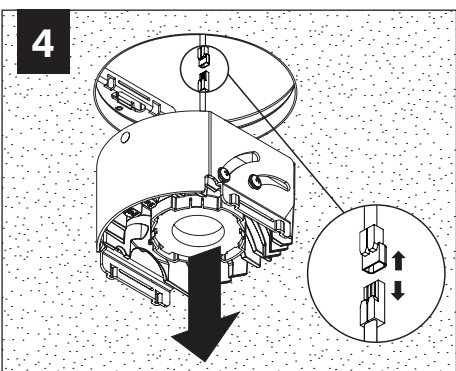
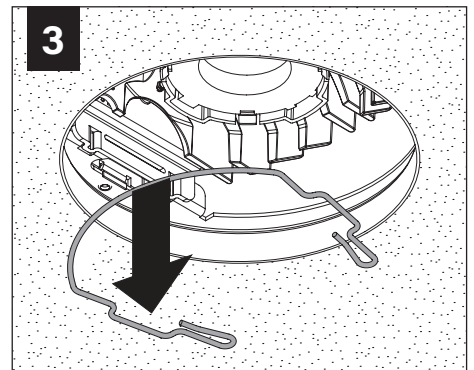
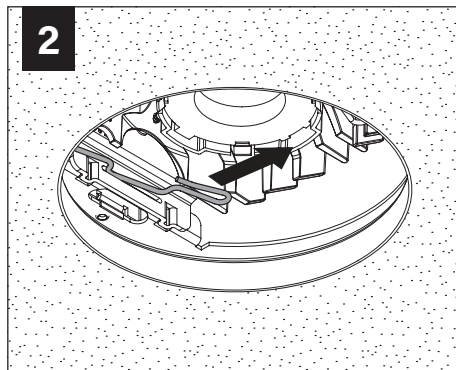
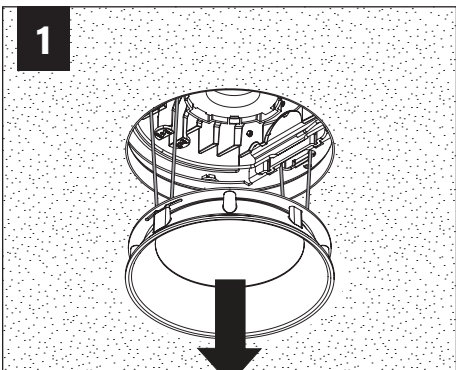


## TRIM INSTALLATION



## DRIVER SERVICE


**TO PREVENT ELECTRICAL SHOCK, DISCONNECT ELECTRICAL SUPPLY BEFORE SERVICING**



Contractor is responsible for adequately reinforcing walls and/or ceilings to support fixture weight. Focal Point, LLC accepts no responsibility for inadequately reinforced walls and/or ceilings. The information contained in this drawing is the sole property of Focal Point, LLC. Any reproduction in part or whole without the written permission of Focal Point, LLC is prohibited.

## SPOT OPTIC TILT KIT (SOLD SEPARATELY)



**SP10 & SP20 SHIP WITH SHROUDS INSTALLED.**

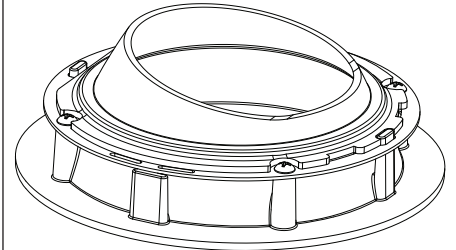
SPOT OPTICS KITS ARE AVAILABLE AS REPLACEMENTS OR IF TILT ANGLE CHANGES FROM WHAT WAS SPECIFIED.

### Distribtuion: Spot (SP)

Optic	Description	Tilt Range
SL*	Solite Lens	0° - 35°
SP00*	Spot Optic, No Lens	0° - 10°
SP10	Spot Optic, No Lens	10° - 20°
SP20	Spot Optic, No Lens	20° - 35°

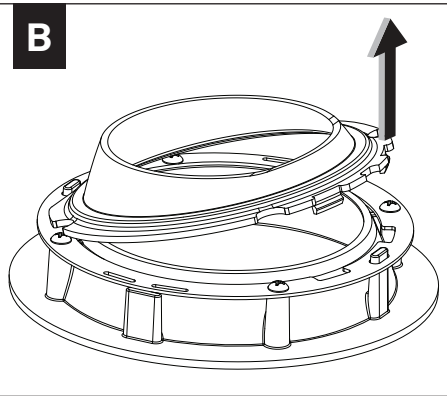
\*Shroud not required

**A**

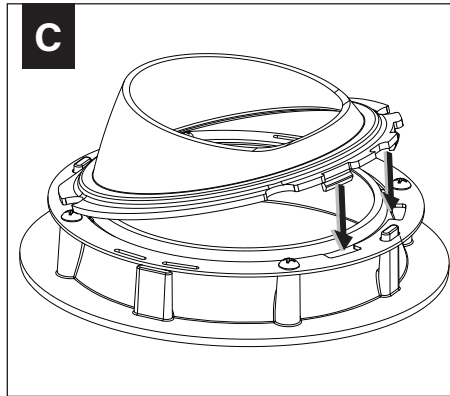


**SP10: 10° - 20°**

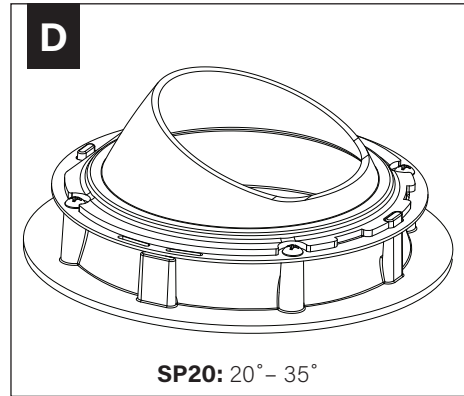
**B**



**C**



**D**



**SP20: 20° - 35°**

Contractor is responsible for adequately reinforcing walls and/or ceilings to support fixture weight. Focal Point, LLC accepts no responsibility for inadequately reinforced walls and/or ceilings. The information contained in this drawing is the sole property of Focal Point, LLC. Any reproduction in part or whole without the written permission of Focal Point, LLC is prohibited.