

ID+ 3.5"x3.5" Adjustable

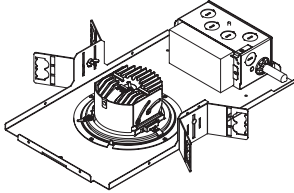
Square Trimless | FLCS33



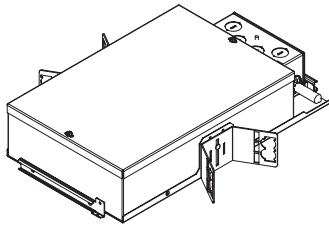
FOCAL POINT®

LUMINAIRE MUST BE INSTALLED PRIOR TO DRYWALL CEILING. ALL GRID LUMINAIRES MUST BE SECURED TO STRUCTURE ABOVE.

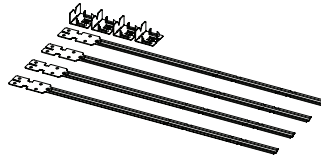
NON-EMERGENCY - THERMALLY PROTECTED, NON-IC



IC/CP



OPTIONAL - BAR HANGERS SOLD SEPARATELY



KEY



POWER OFF



POWER ON



ATTENTION

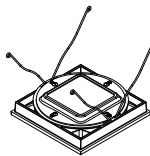


LEVEL

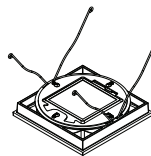


SEE ADDITIONAL INSTRUCTIONS

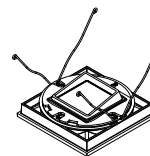
TRIM



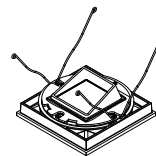
SOLITE LENS



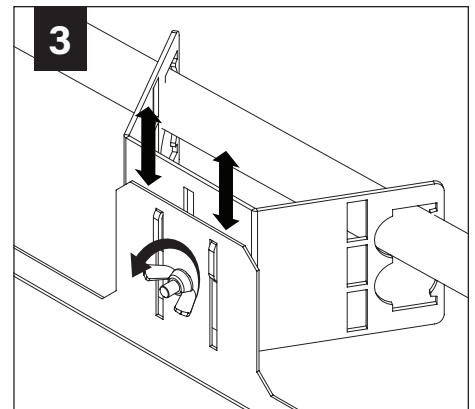
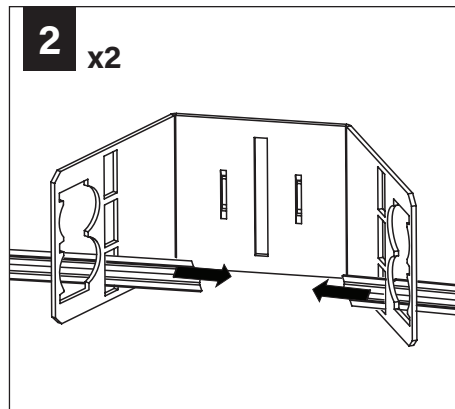
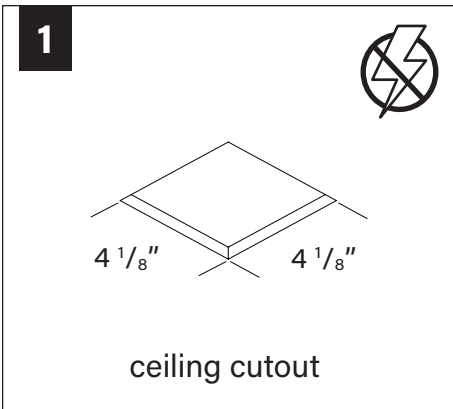
SPOT OPTIC,
NO LENS
0°-10° TILT



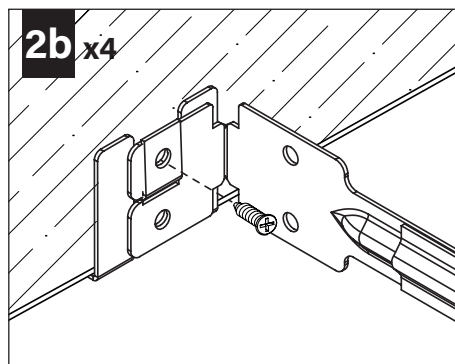
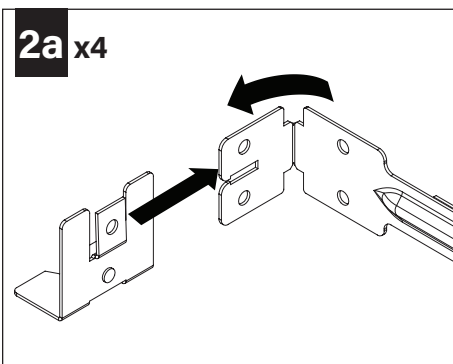
SPOT OPTIC,
NO LENS
10°-20° TILT



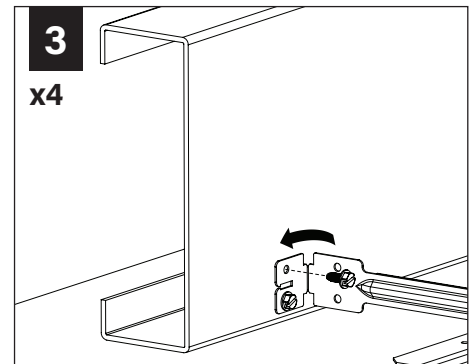
SPOT OPTIC,
NO LENS
20°-35° TILT



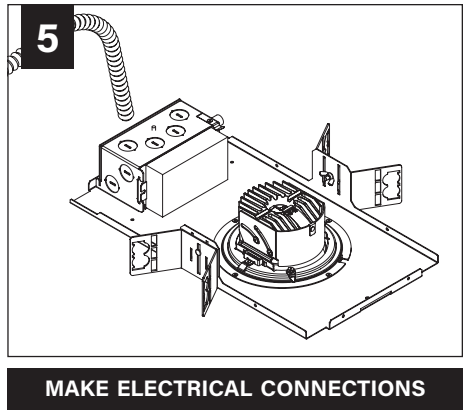
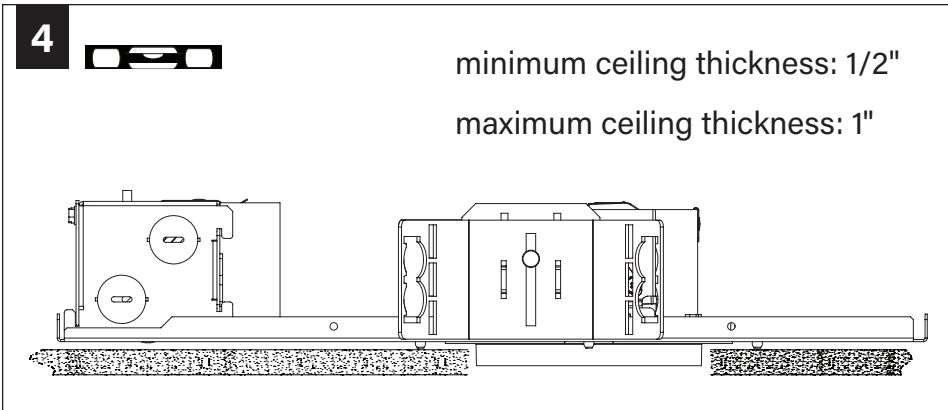
WOOD STUDS



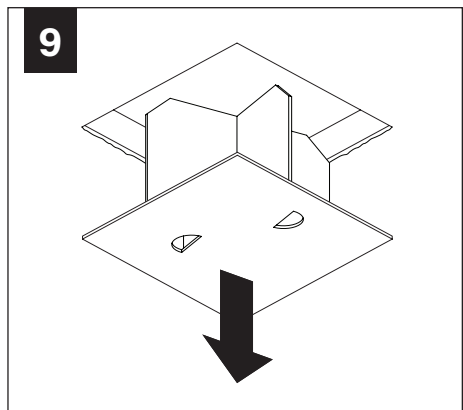
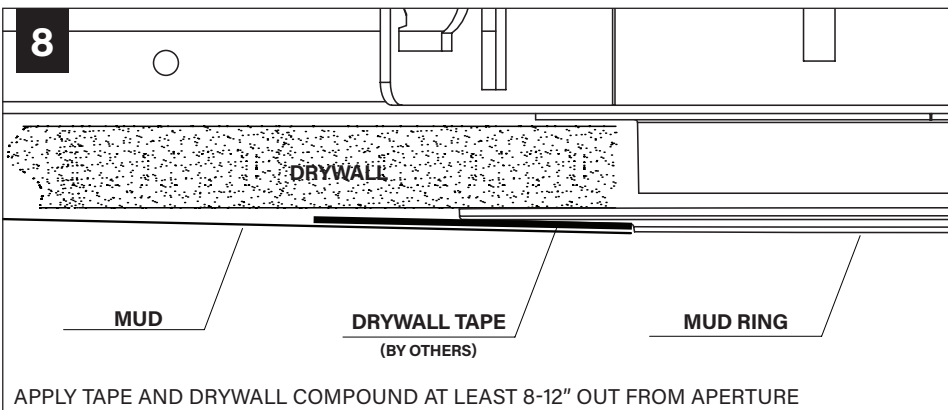
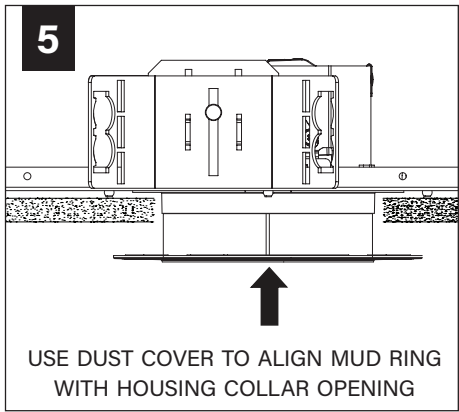
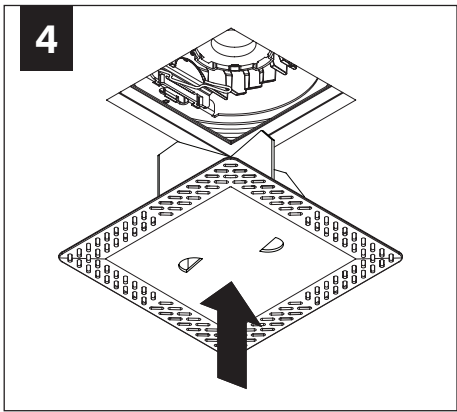
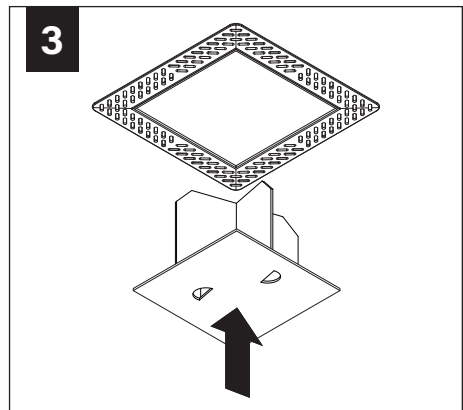
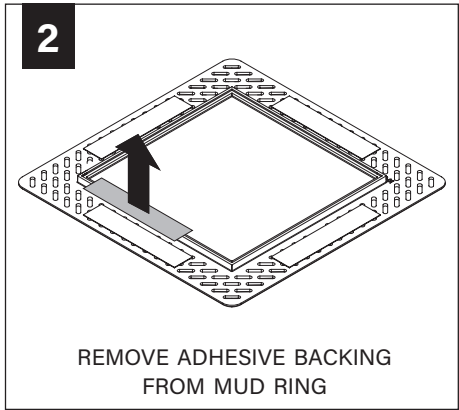
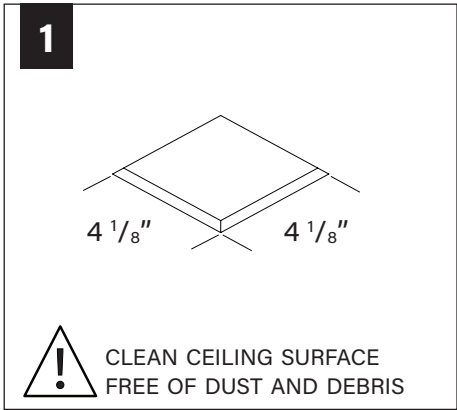
METAL STUDS



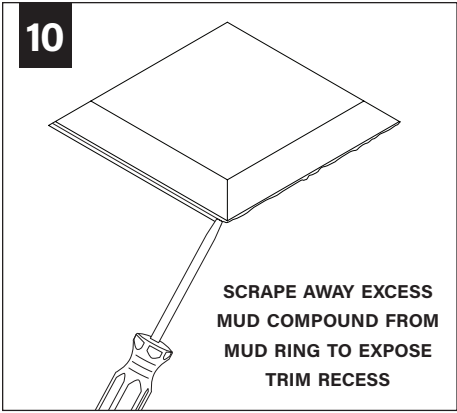
Luminaires must be installed by a qualified electrician (check with local and national codes for proper installation). To prevent electrical shock, disconnect electrical supply before installation or servicing.



MUD-IN



Fixtures must be installed by a qualified electrician (check with local and national codes for proper installation).
To prevent electrical shock, disconnect electrical supply before installation or servicing.



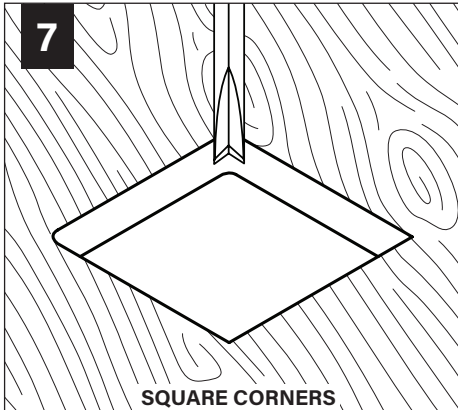
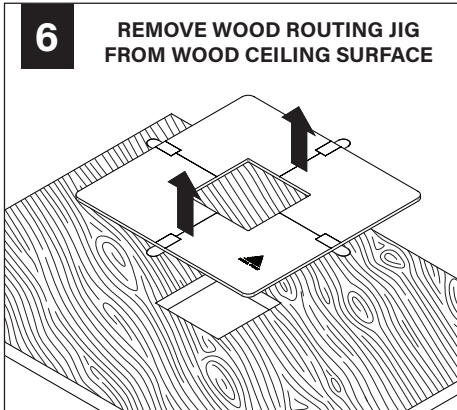
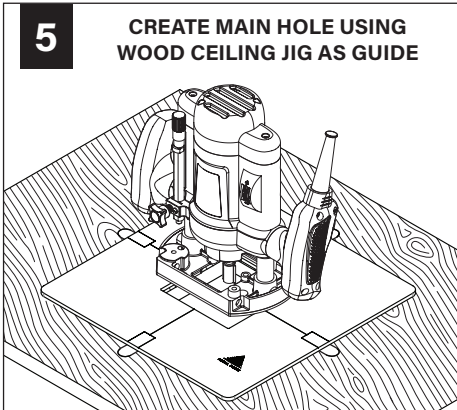
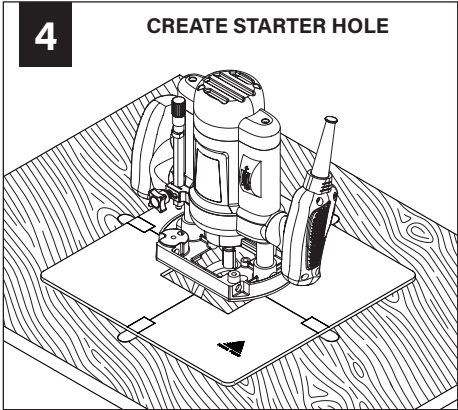
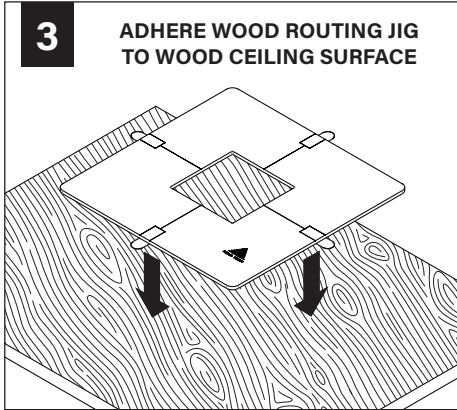
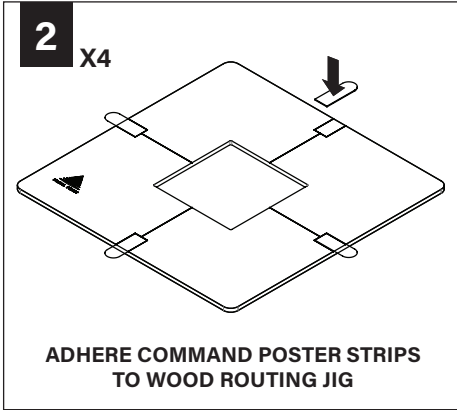
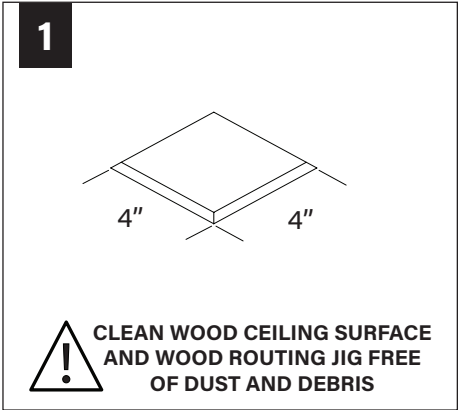
WOOD CEILING

WOOD CEILING INSTALLATION KIT PARTS LIST

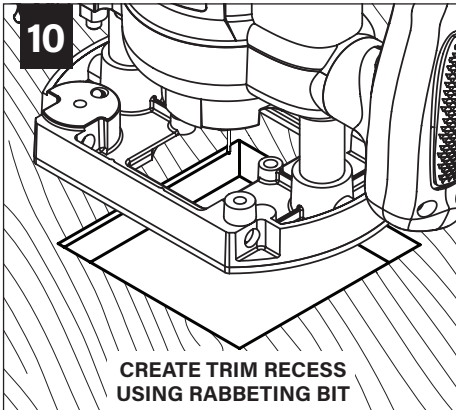
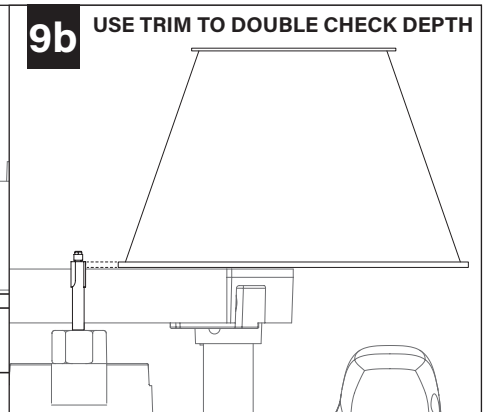
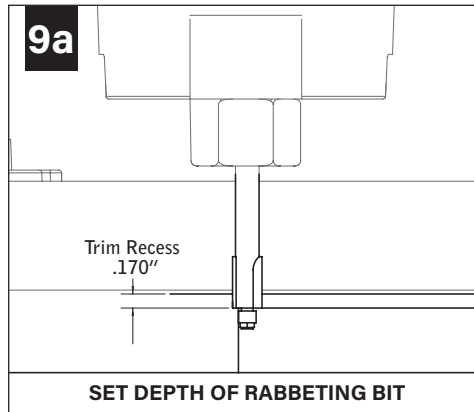
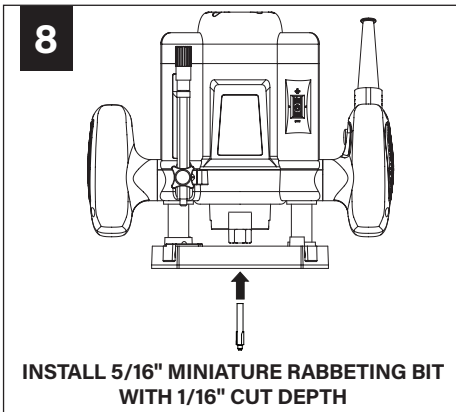
WOOD ROUTING JIG

**5/16" MINIATURE
RABBETING BIT WITH
1/16" CUT DEPTH**

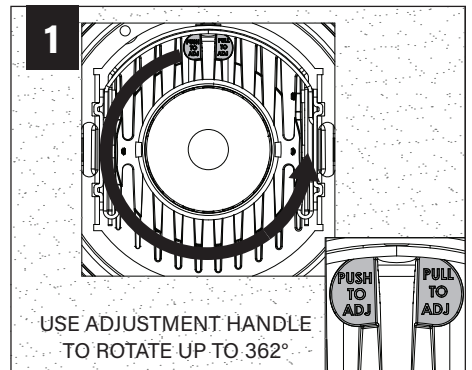
**3M COMMAND POSTER STRIP
#136 (QTY. 40)**



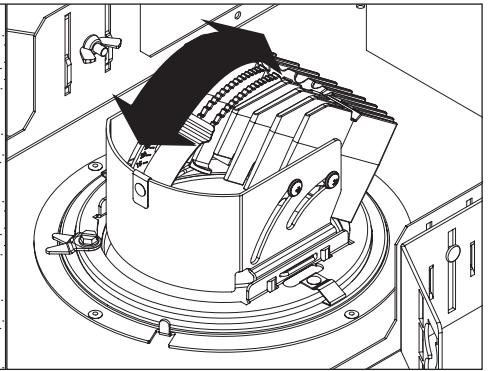
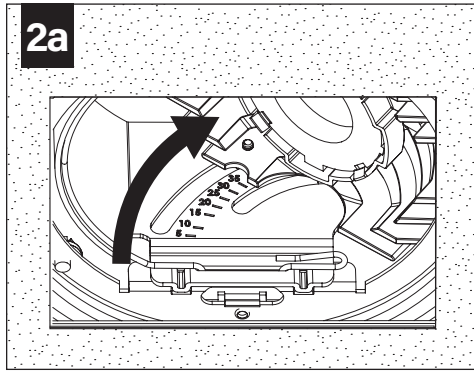
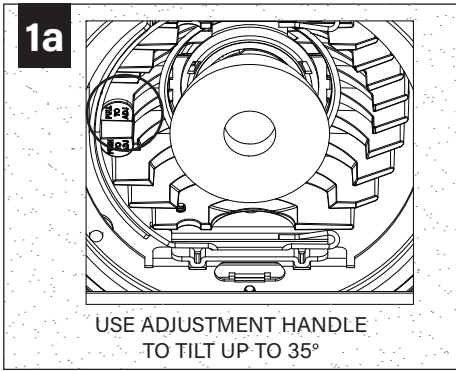
Fixtures must be installed by a qualified electrician (check with local and national codes for proper installation).
To prevent electrical shock, disconnect electrical supply before installation or servicing.



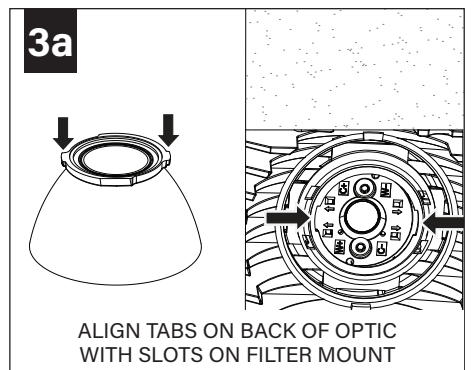
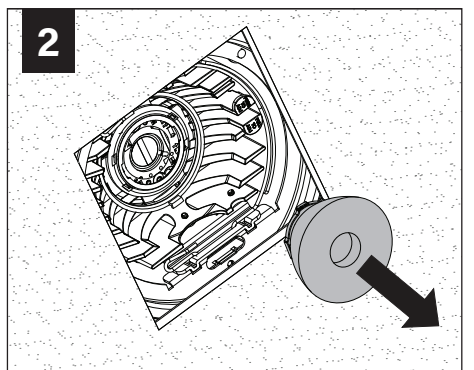
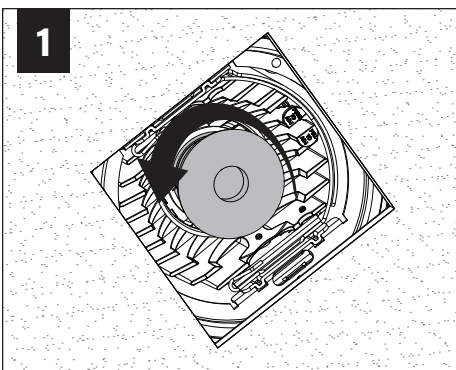
ROTATE



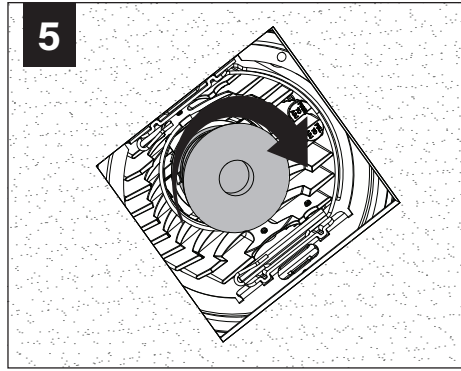
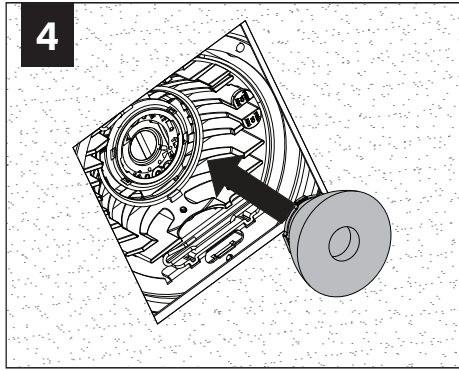
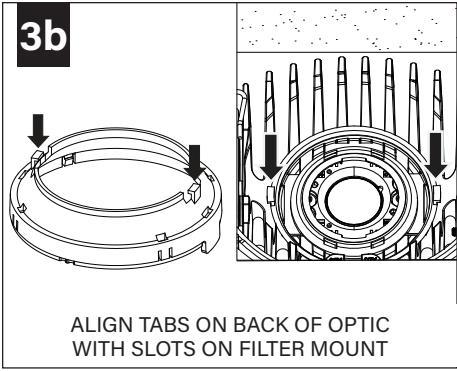
TILT



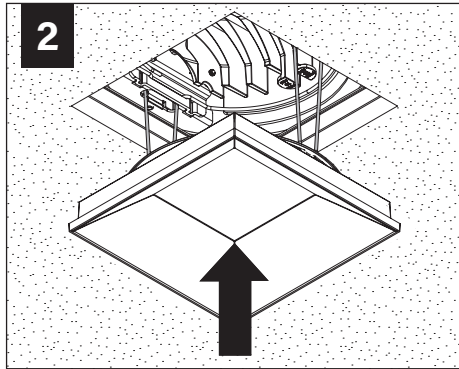
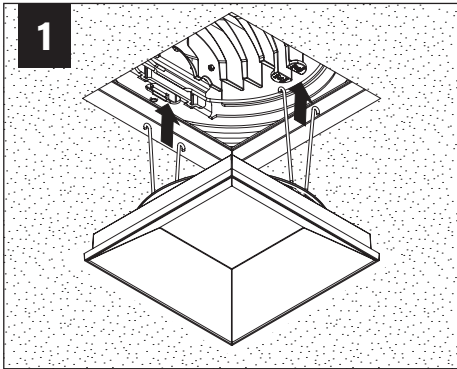
OPTIC SERVICE




Fixtures must be installed by a qualified electrician (check with local and national codes for proper installation). To prevent electrical shock, disconnect electrical supply before installation or servicing.

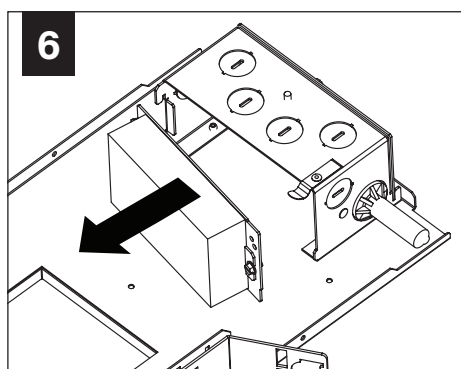
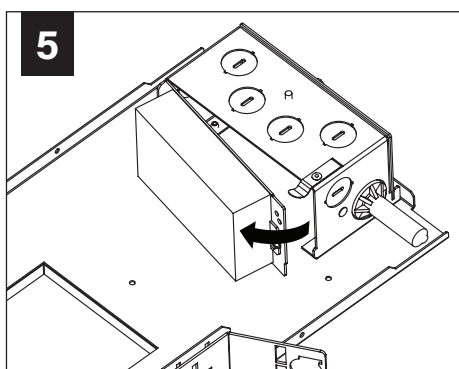
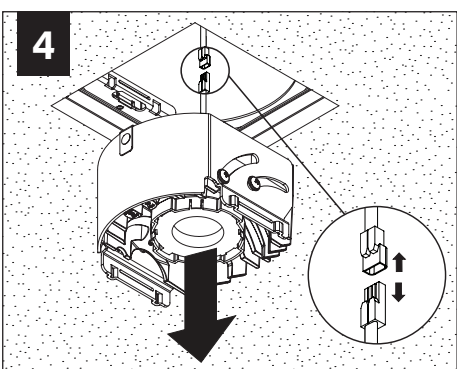
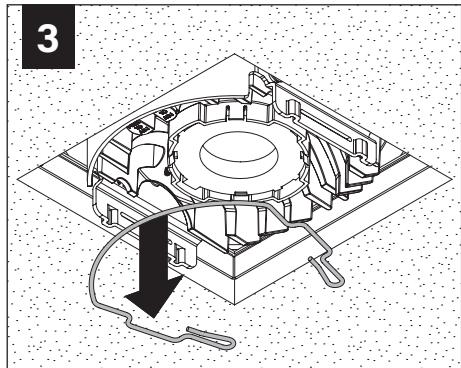
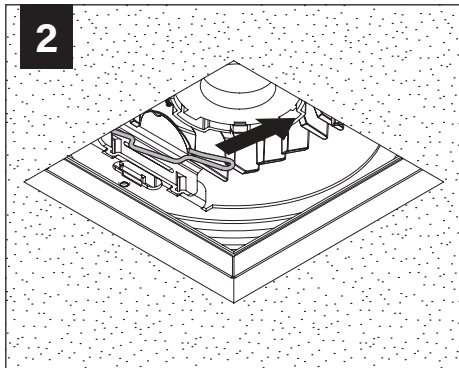
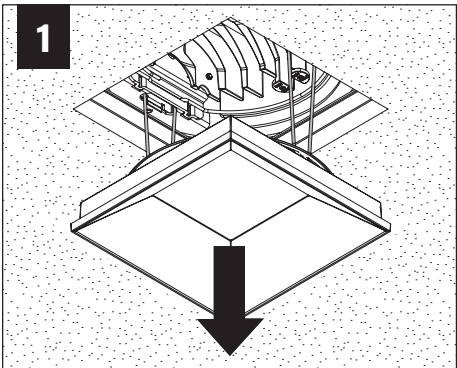


TRIM INSTALLATION



DRIVER SERVICE

 **TO PREVENT ELECTRICAL SHOCK, DISCONNECT ELECTRICAL SUPPLY BEFORE SERVICING**



Contractor is responsible for adequately reinforcing walls and/or ceilings to support fixture weight. Focal Point, LLC accepts no responsibility for inadequately reinforced walls and/or ceilings. The information contained in this drawing is the sole property of Focal Point, LLC. Any reproduction in part or whole without the written permission of Focal Point, LLC is prohibited.

SPOT OPTIC TILT KIT (SOLD SEPARATELY)



SP10 & SP20 SHIP WITH SHROUDS INSTALLED.

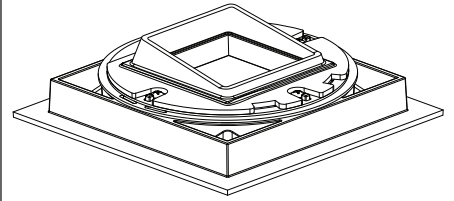
SPOT OPTICS KITS ARE AVAILABLE AS REPLACEMENTS OR IF TILT ANGLE CHANGES FROM WHAT WAS SPECIFIED.

Distribtuion: Spot (SP)

Optic	Description	Tilt Range
SL*	Solite Lens	0° – 35°
SP00*	Spot Optic, No Lens	0° – 10°
SP10	Spot Optic, No Lens	10° – 20°
SP20	Spot Optic, No Lens	20° – 35°

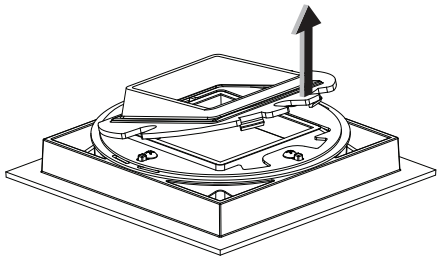
*Shroud not required

A

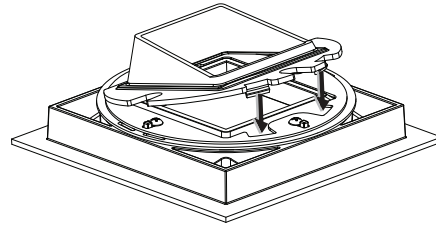


SP10: 10° – 20°

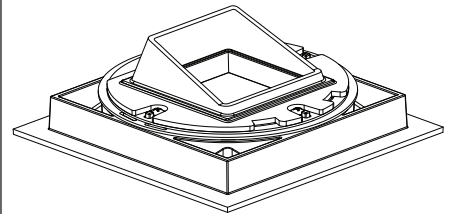
B



C



D



SP20: 20° – 35°

Contractor is responsible for adequately reinforcing walls and/or ceilings to support fixture weight. Focal Point, LLC accepts no responsibility for inadequately reinforced walls and/or ceilings. The information contained in this drawing is the sole property of Focal Point, LLC. Any reproduction in part or whole without the written permission of Focal Point, LLC is prohibited.