

ID+ 3.5" x 3.5"

LED ADJUSTABLE



FOCAL POINT®



10°-20° Tilt Spot Detail



20°-35° Tilt Spot Detail



0° Tilt Spot Detail



clear diffuse



warm diffuse



black

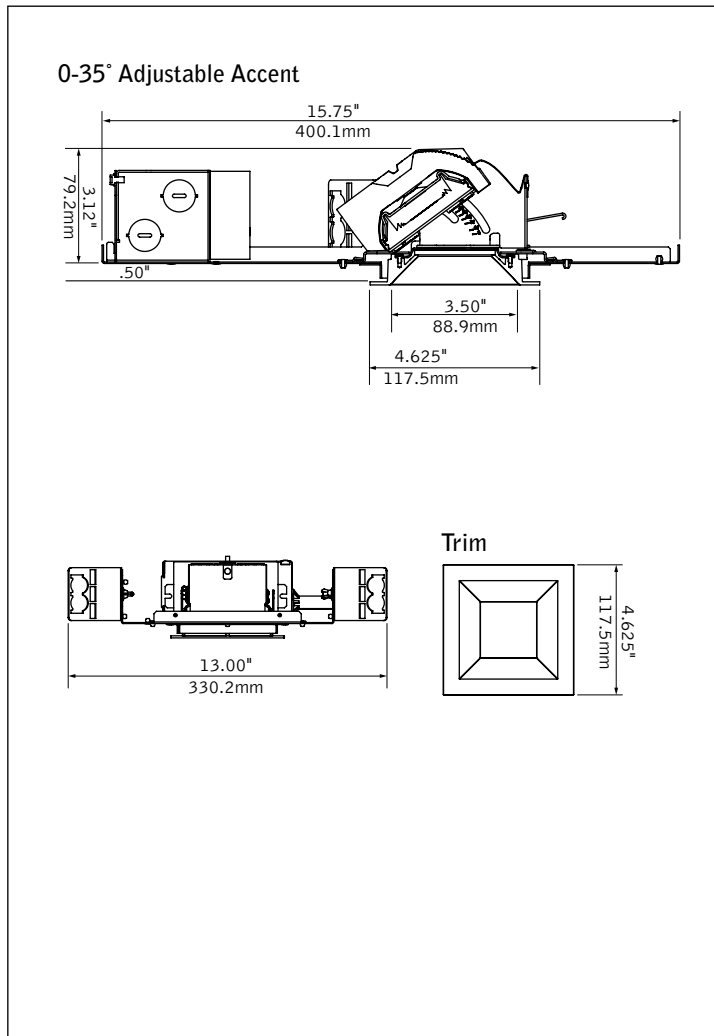


white



Trimless companion

DIMENSIONAL DATA



FEATURES

Small aperture LED adjustable accent with shallow housing for restricted plenum ceilings.

Allows for aiming with locking 35° vertical tilt and 362° rotation of light module.

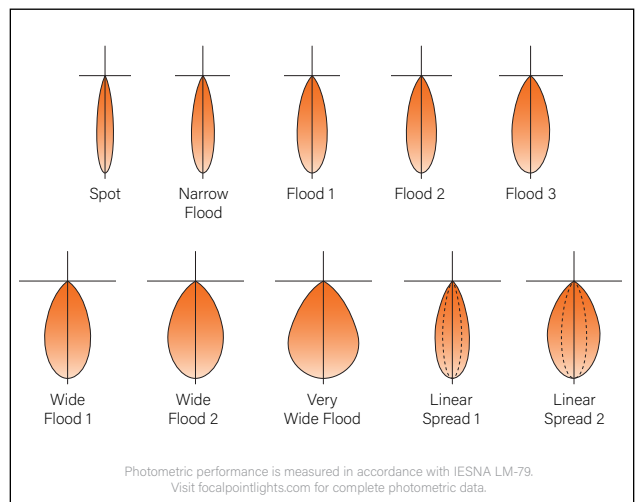
Warm Dim: Lighting that enhances spaces with a warm glow, reminiscent of incandescent or halogen light sources.

PoE compatible: Integrates with Power over Ethernet lighting systems via standard, low-voltage wires.

Outdoor rating permits use in outdoor covered ceiling applications.

Available with The Naturals, a series of finishes that exude biophilic beauty.

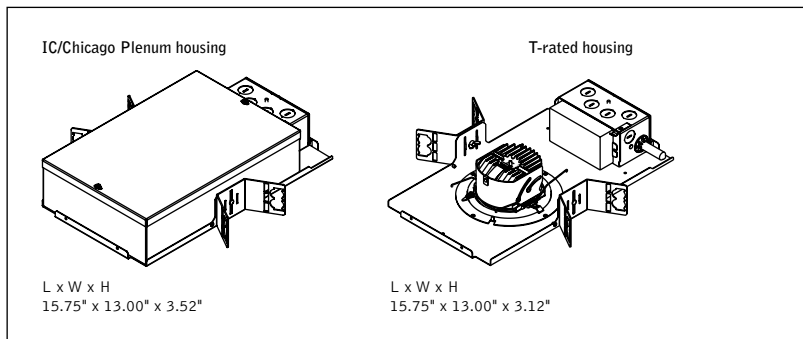
DISTRIBUTIONS



fixture:

project:

HOUSING DETAILS



HOUSING SPECIFICATIONS

LED System

Proprietary LED module with single light emitting source. May be specified in 2700K, 3000K, 3500K or 4000K in CRI>80, CRI>90, or CRI>97. Color accuracy within 2 SDCM. Warm Dim within 3-5 SDCM. Aluminum heat sink provides appropriate thermal management.

Construction

Thermally protected housing for new construction applications. Insulation to be kept 3" away from housing. Type IC inherently protected, suitable for direct contact with insulation. Restrictive airflow per ASTM-E283. Butterfly brackets allow mounting to 1/2 emt. Order bar hangers as an accessory. Die-cast aluminum heat sink designed for maximum thermal dissipation. Die-formed housing and integral junction box with (7) 1/2" pry outs. UL & cUL listed for (8) #12 AWG (4 in, 4 out) 90°C conductors and feed through-branch wiring. Accommodates ceiling thicknesses from 0.5" to 1.5" thickness standard, up to 2.5" consult factory. Fixture will not exceed 5 lb.

Adjustment

Manual locking 35° vertical tilt and 362° rotation of light module.

Electrical

Choice of constant current dimming drivers. Power factor > .9 typical. PoE compatible: Integrates with Power over Ethernet lighting systems via standard, low-voltage wires.

Emergency Battery

Emergency output—7W for 90 minutes. Above ceiling access only. Maximum mounting height: 10.78ft.

Labels

UL and cUL listed. Suitable for Dry, Damp or Wet Locations indoor use only. Wet Location Solite lens options only. Specify Outdoor rated (OD) for outdoor recessed ceiling applications.

Lumen Maintenance

Reported: L70 at >55,000 hours Calculated: L70 at 204,000 hours
 Reported: L90 at >55,000 hours Calculated: L90 at 59,000 hours
 Derived from EPA TM-21 calculator. Based on typical conditions, consult factory for additional data.

Reliability

At Focal Point, our products are designed to stand the test of time. Each luminaire is engineered using superior components, manufactured with the utmost care and rigorously tested. Contact us for reliability data.

Warranty

LED System rated for operation in ambient environments up to 25°C. 5-year limited warranty. Fixture with Outdoor rated option must be installed in a covered ceiling and is warranted for operation in ambient environments between -40°C to +25°C.

TRIM SPECIFICATIONS

Aesthetics

Reflector is die-cast aluminum. Torsion springs pull trim tight to the ceiling with no visible fasteners within the trim. Trims are self-flanged. Spot distribution offered with No lens option for a crisp punch of light. No lens options feature a shroud to conceal internal components and maintain a premium aesthetic while providing a narrow spot distribution. The Naturals: 100% low VOC vinyl.

Optics

Beam spreads achieved with optics that may be easily changed in field.

Distribution Beam Spread								
Spacing Criteria								
SP	NFL	FL1	FL2	FL3	WFL	VWFL	LS1	LS2
19.9°	29.5°	36.5°	40.3°	41.9°	56.4°	78.2°	32.2° x 58.5°	58.2° x 32.0°
0.35	0.49	0.60	0.66	0.68	0.85	1.13	0.54 x 0.88	0.88 x 0.54

PERFORMANCE CHART See Page 4

HOUSING ORDERING

Housing Series	FLCS33	FLCS33
ID+ 3.5" Square Housing	FLCS33	
Trim Type	SO	SO
Square Overlap	SO	
Lumen Output		
500 Lumens	500L	
700 Lumens	700L	
900 Lumens	900L	
1100 Lumens	1100L	
1300 Lumens	1300L	
1500 Lumens	1500L	
Color Temperature		
<small>(Add 9 for 90 CRI or H for 97 CRI. Leave blank for 80 CRI.)</small>		
2700K, 80/90/97+ CRI	_27K	
3000K, 80/90/97+ CRI	_30K	
3500K, 80/90/97+ CRI	_35K	
4000K, 80/90/97+ CRI	_40K	
Warm Dim: 2700-1800K, 90+ CRI*	92718W	
Warm Dim: 3000-1800K, 90+ CRI*	93018W	
<small>*(700L only. Not available with SP or NFL. UNV available with IC housing only.) (Consult factory for tunable white)</small>		
Distribution		
Spot	SP	
Narrow Flood	NFL	
Flood 1	FL1	
Flood 2	FL2	
Flood 3	FL3	
Wide Flood	WFL	
Very Wide Flood	VWFL	
Linear Spread Lens 1	LS1	
Linear Spread Lens 2	LS2	
Voltage		
UNV 120/277 Volt	UNV	
<small>(T & TW housings: 700lm max. IC housings: 1500lm max.)</small>		
120 Volt	120	
277 Volt	277	
Low Voltage	LV	
Driver		
0-10V - 0% Dimming**	LZ1	
0-10V - 1% Dimming	L11	
0-10V - 10% Dimming	LD1	
Forward Phase (120V only)***	LFP	
Low Voltage, PoE Compatible	LVN	
<small>(No driver, LV Voltage only. Not available with EM.)</small>		
Lutron Hi-Lume EcoSystem (LDE1) - 1% Dimming***	LH1	
DALI - 0% Dimming**	DZ1	
DALI - 1% Dimming**	D11	
<small>(SP: 1300L & 1500L only. **Not available with 500 or 700 Lumens.)</small>		
Housing Type		
IC rated	IC	
<small>(SP: 1500lm max. All other distributions: 1100lm max.)</small>		
Non-IC	T	
Factory Options		
Bar Hangers	BH	
Chicago Plenum	CP	
Emergency Battery with Remote Test Switch	EMR	
<small>(Not available with Warm Dim. Not available with CP or IC. Above ceiling access only.)</small>		
Outdoor Rated	OD	
<small>(LD1 only. Not available with IC, CP or EMR. See dimming performance table.)</small>		
TRIM ORDERING		
Aperture		LCS33
3.5" Square Aperture	LCS33	
Trim Type		SDO
Square Die-Cast Overlap	SDO	
Optic		
Solite Lens	SL	
<small>(Not available with Spot distribution)</small>		
Spot Optic, no lens, 0°-10° tilt <small>(Spot distribution only)</small>	SP00	
Spot Optic, no lens, 10°-20° tilt <small>(Spot distribution only)</small>	SP10	
Spot Optic, no lens, 20°-35° tilt <small>(Spot distribution only)</small>	SP20	
Color		
<small>(See finishes page for The Naturals options)</small>		
Clear Diffuse	CD	
Warm Diffuse	WD	
Black	BK	
White	WH	
Optional Flange Finish		
<small>(Overlap CD & WD finish only.) (For matching finishes leave blank.)</small>		
Black Painted	BK	
White Painted	WH	
ACCESSORIES ORDERING		
Distribution Kit	KIT-	
<small>(Order kits to change distribution in field. Add Distribution code from above. Example: KIT-FLCS33-SP)</small>		
Spot Optic Tilt Kit	KIT-	
<small>(Add code for desired title degree - 10°-20° = SP10, 20°-35° = SP20, Both = SPB)</small>		
Trimless Wood Kit	FLCS33-	
<small>(One kit suggested per 10 units)</small>		
	WOOD-KIT	

3.5" SQUARE ADJUSTABLE DOWNLIGHT PERFORMANCE TABLE

Lumen Output	Delivered Lumens	System Watts	LPW
500L	491	6.9	71
700L	687	9.3	74
900L	884	14.0	63
1100L	1080	16.6	65
1300L	1277	19.3	66
1500L	1473	22.1	67

Based on 3500K, 80CRI, Narrow Flood, Clear Diffuse. Delivered lumen output may vary +/- 5%. Actual wattage may vary +/- 5%.

3.5" SQUARE ADJUSTABLE DOWNLIGHT CBCP CHART

Lumen Output	Distribution	Beamspread	Center Beam Candlepower (CBCP)
1900L	SP	19.9°	9609
	NFL1	29.5°	4260
	FL1	36.5°	2896
	FL2	40.3°	3008
	FL3	41.9°	2365
	WFL	56.4°	1285
	VWFL	78.2°	790
	LS1	32.2° X 58.5°	2010
	LS2	58.2° X 32.0°	2106

OUTDOOR RATED (OD) DRIVER DIMMING PERFORMANCE

Distribution	Lumen Output	Minimum Dimming Level
SP	500L	37%
	700L	26%
	900L	19%
	1100L	16%
	1300L	13%
	1500L	11%
All others	500L	19%
	700L	14%
	900L	11%
	1100L	10%
	1300L	10%
	1500L	10%

3.5" ROUND DOWNLIGHT LUMEN MULTIPLIER TABLE

Color Temperature & CRI¹

Color Options	Lumen Output	Color Temperature & CRI	Multiplier
Standard White	All Outputs	2700K, 80+ CRI [27K]	0.92
		2700K, 90+ CRI [927K]	0.79
		2700K, 97+ CRI [9727K]	0.67
		3000K, 80+ CRI [30K]	0.98
		3000K, 90+ CRI [930K]	0.83
		3000K, 97+ CRI [9730K]	0.72
		3500K, 80+ CRI [35K]	1.00
		3500K, 90+ CRI [935K]	0.82
		3500K, 97+ CRI [9735K]	0.73
		4000K, 80+ CRI [40K]	1.01
4000K, 90+ CRI [940K]	0.84		
4000K, 97+ CRI [9740K]	0.76		
Warm Dim	700L	2700-1800K, 90+ CRI [92718W]	0.84
		3000-1800K, 90+ CRI [93018W]	0.87

Distribution²

Optic	Distribution	Multiplier
SP00, SP10, SP20	Spot [SP]	1.03
SL	Narrow Flood [NFL]	0.98
	Flood 1 [FL1]	0.97
	Flood 2 [FL2]	1.05
	Flood 3 [FL3]	0.95
	Wide Flood 1 [WFL]	0.84
	Very Wide Flood [VWFL]	0.78
	Linear Spread 1 [LS1]	0.87
	Linear Spread 2 [LS2]	0.90

Color³

Optic	Color	Multiplier
All	Clear Diffuse [CD]	1.00
	Warm Diffuse [WD]	1.00
	White [WH]	1.01
	Black [BK]	0.98

How To Use Lumen Multipliers

Formula:

(Lumen Output Value) x (Color Temperature & CRI¹) x (Distribution²) x (Color³)

Example:

FLCS33-SO-1500L-935K-FL1-LCS33-SDO-WH
 (1500) x (0.82) x (.97) x (1.01) ≈ 1205lm (estimated delivered lumens)

Multiplier charts are provided to aid with estimation of lumen levels across options. Apply multipliers against ordered Lumen Output to estimate Delivered Lumens. An estimation should make use of all tables through consecutive application of three multipliers. Refer to IES files for most accurate photometric information.

Finishes

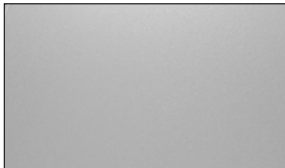
STANDARD FINISHES



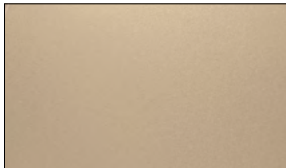
WHITE



WH BLACK BK

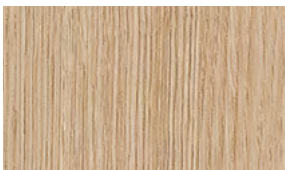


CLEAR DIFFUSE



CD WARM DIFFUSE WD

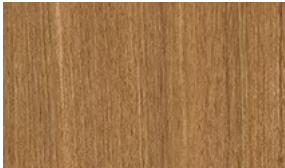
THE NATURALS (25% SCALE)



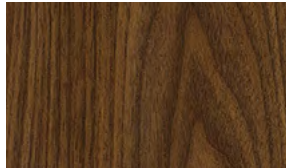
LIGHT OAK



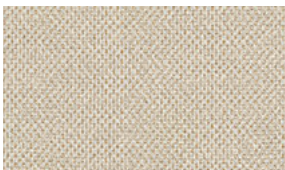
LOK GRAY ELM GRE



CHESTNUT



CHT WALNUT WLT



WOVEN LINEN

WLN

Declare.

ID+ 3.5" Downlights Focal Point, LLC

Final Assembly: Chicago, Illinois, USA

Life Expectancy: 10 Year(s)

End of Life Options: Recyclable (55%), Landfill (45%)

Ingredients:

UNS G10080 Steel Alloy; Small Electrical Components - RoHS Compliant¹; Aluminum Alloy A380; Steel manufacture, chemicals; Carbonic dichloride, polymer with 4,4'-(1-methylethylidene)bis[phenol], 4-(1-methyl-1-phenylethyl)phenyl ester; Copper; Zinc; **Polyvinyl chloride**; Poly[imino(1,6-dioxo-1,6-hexanediy)imino-1,6-hexanediy]; Polymethyl methacrylate; Steel, carbon; Glass, oxide, chemicals; Carbon black; Titanium dioxide; Polyethylene; Polypropylene; **Benzene, ethenyl-, homopolymer, brominated; Bis(pentabromophenyl) ether (decabromodiphenyl ether) (DecaBDE)**; UNS S30400 Stainless Steel Alloy; Polyethylene Terephthalate/Polybutylene Terephthalate; Polydimethylsiloxane rubber; Silica, amorphous, fumed, cryst.-free; Di(2-ethylhexyl) terephthalate; Antimony oxide (Antimony trioxide); Calcium carbonate; Clay; Phenol, 4,4'-(1-methylethylidene)bis[2,6-dibromo-, polymer with (chloromethyl)oxirane and 4,4'-(1-methylethylidene)bis[phenol]; Aluminum hydroxide; Nylon 6; **Tris (2-chloroethyl) phosphate (TCEP)**

¹LBC Temp Exception RL-002 - Small Electrical Components

Living Building Challenge Criteria:

I-13 Red List:

- LBC Red List Free
 - LBC Red List Approved
 - Declared
- % Disclosed: 100% at 100ppm
VOC Content: Not Applicable

I-10 Interior Performance: Not Applicable

I-14 Responsible Sourcing: Not Applicable

FPL-0007

EXP. 01 FEB 2027

Original Issue Date: 2024

MANUFACTURER PROVIDES F-PCR, LBC, ACCURACY
INTERNATIONAL LIVING FUTURE INSTITUTE™ living-future.org/declare