

# ID+ 3.5"x3.5" Adjustable

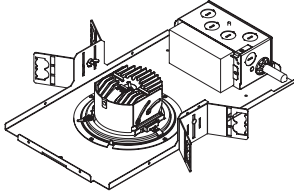
Square Overlap | FLCS33



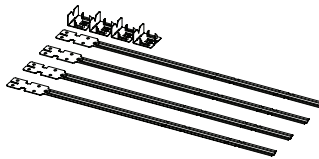
FOCAL POINT®

**! LUMINAIRE MUST BE INSTALLED PRIOR TO DRYWALL CEILING. ALL GRID LUMINAIRES MUST BE SECURED TO STRUCTURE ABOVE. !**

NON-EMERGENCY - THERMALLY PROTECTED, NON-IC



OPTIONAL - BAR HANGERS SOLD SEPARATELY



KEY



POWER OFF



POWER ON



ATTENTION

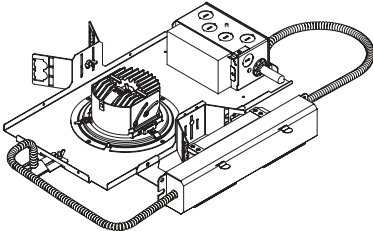


LEVEL

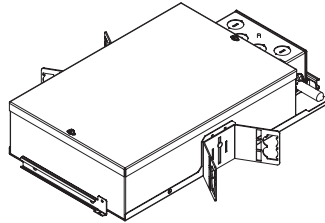


SEE ADDITIONAL INSTRUCTIONS

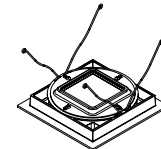
EMERGENCY - REMOTE TEST SWITCH, NON-IC



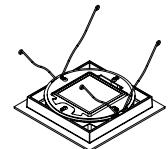
IC/CP



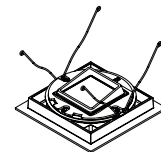
TRIM



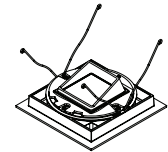
SOLITE LENS



SPOT OPTIC,  
NO LENS  
0°-10° TILT

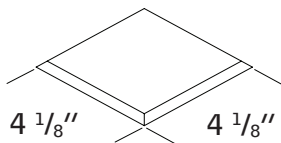


SPOT OPTIC,  
NO LENS  
10°-20° TILT



SPOT OPTIC,  
NO LENS  
20°-35° TILT

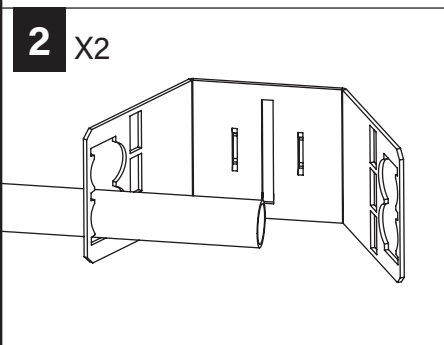
1



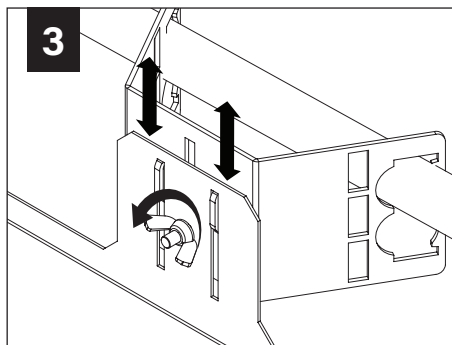
ceiling cutout

## GRID - 1/2" CONDUIT & CLIP (BY OTHERS)

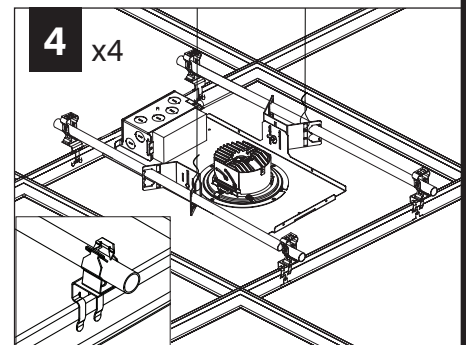
2 X2



3

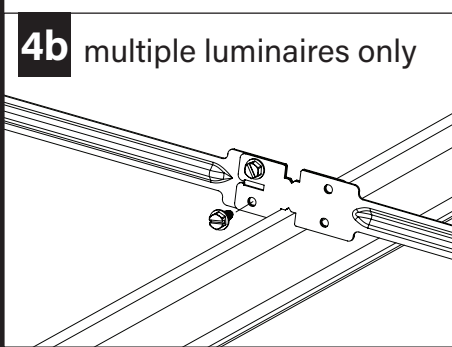
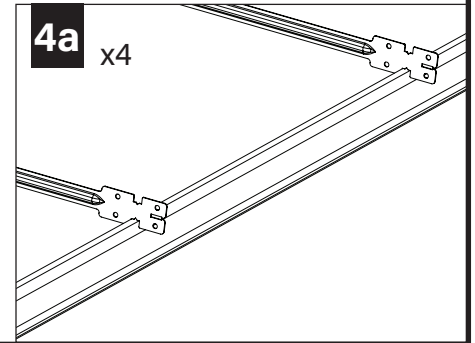
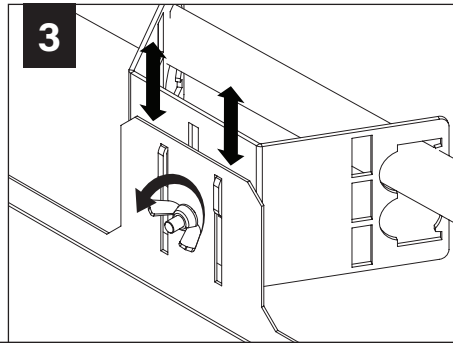
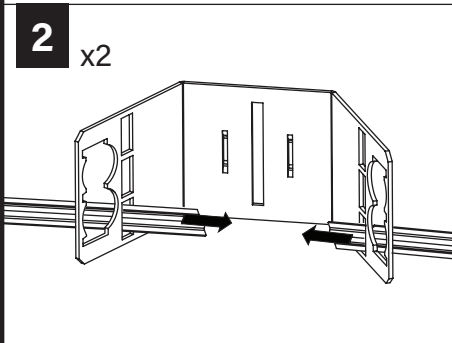


4 X4



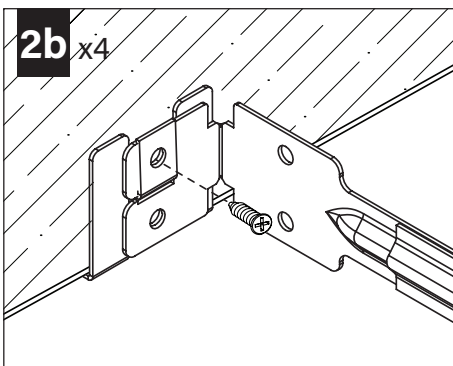
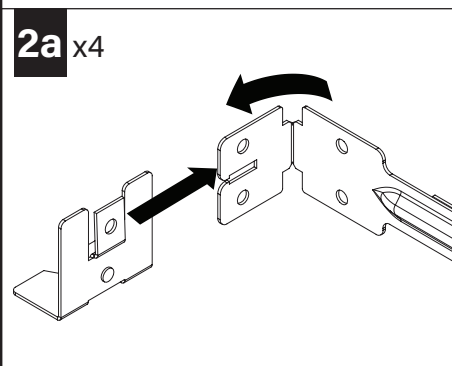
Luminaires must be installed by a qualified electrician (check with local and national codes for proper installation). To prevent electrical shock, disconnect electrical supply before installation or servicing.

## GRID - BAR HANGERS (SOLD SEPARATELY)

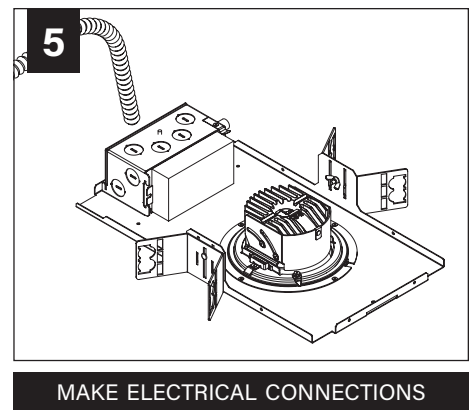
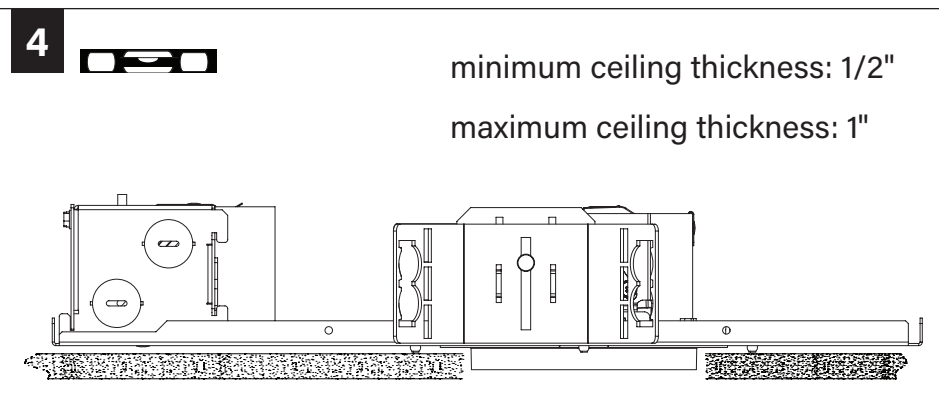
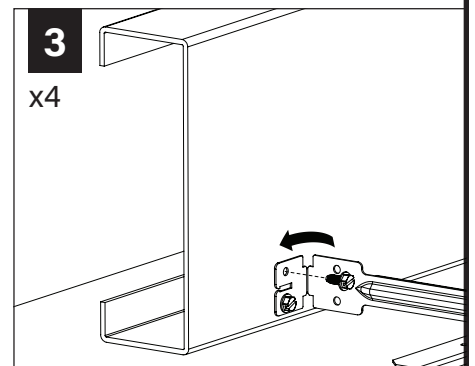


## DRYWALL - BAR HANGERS

### WOOD STUDS



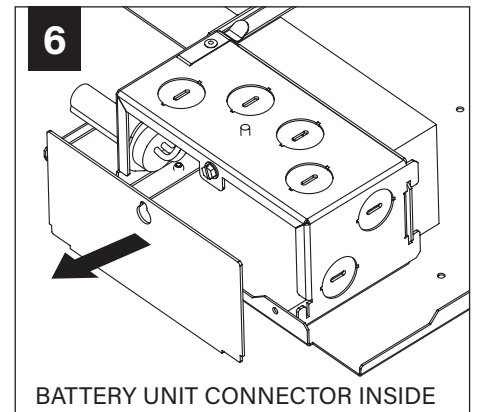
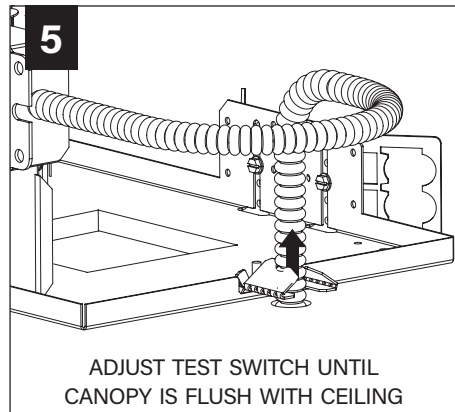
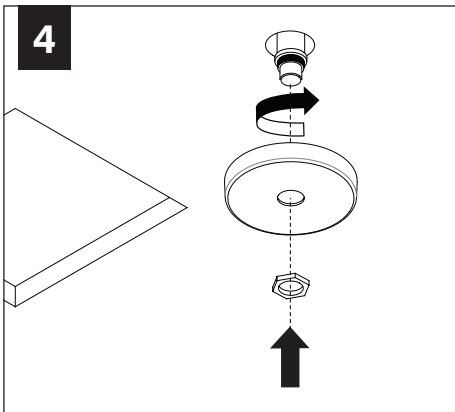
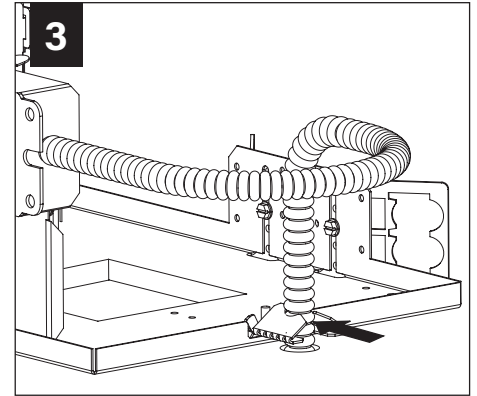
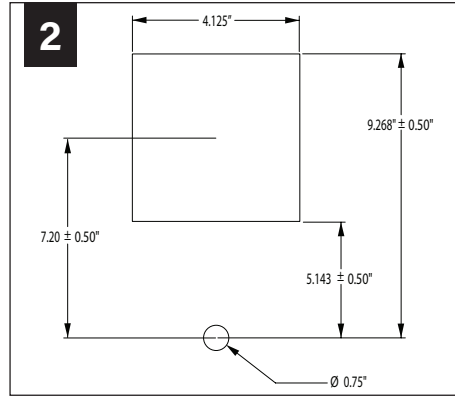
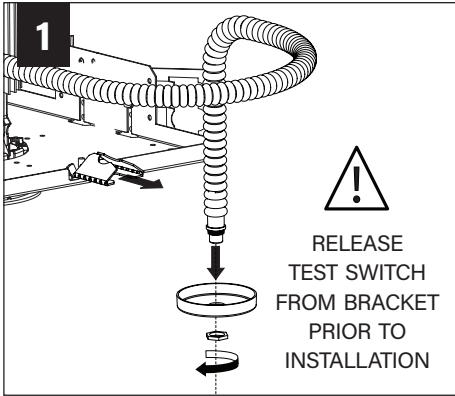
### METAL STUDS



Fixtures must be installed by a qualified electrician (check with local and national codes for proper installation).  
To prevent electrical shock, disconnect electrical supply before installation or servicing.

# EMERGENCY - REMOTE TEST SWITCH

**⚠ ABOVE CEILING ACCESS REQUIRED ⚠**



**7**

**I**

SEE BATTERY MANUFACTURER INSTRUCTIONS

**⚠**

DO NOT MATE BATTERY UNIT CONNECTOR UNTIL INSTALLATION IS COMPLETE AND A.C. POWER IS SUPPLIED

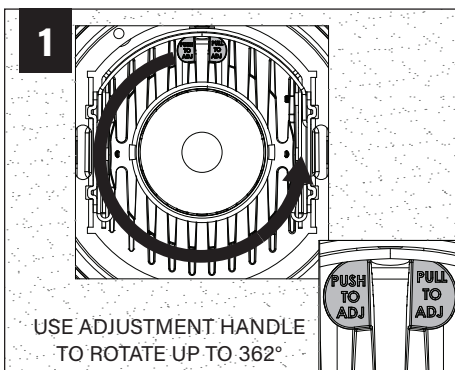
**EM- MOUNTING HEIGHT**

**I**

SEE BATTERY MANUFACTURER INSTRUCTIONS

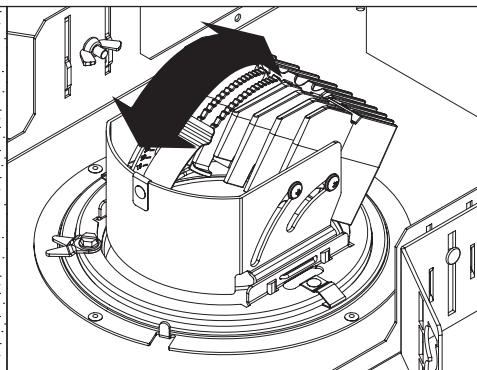
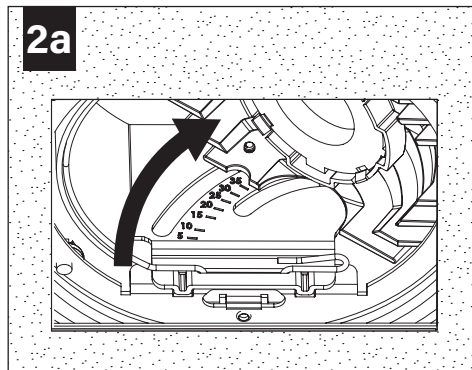
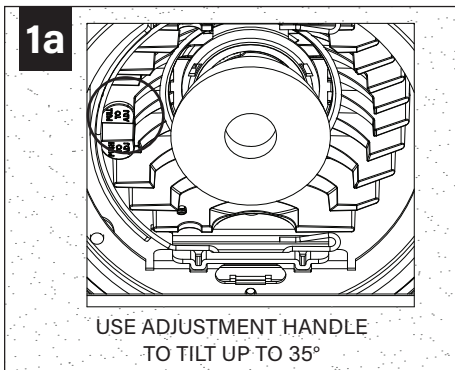
EMERGENCY MAXIMUM MOUNTING HEIGHT:  
10.8'

# ROTATE

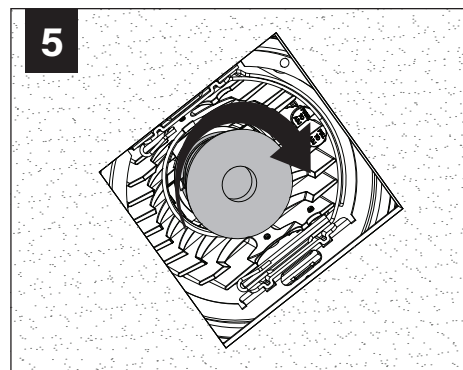
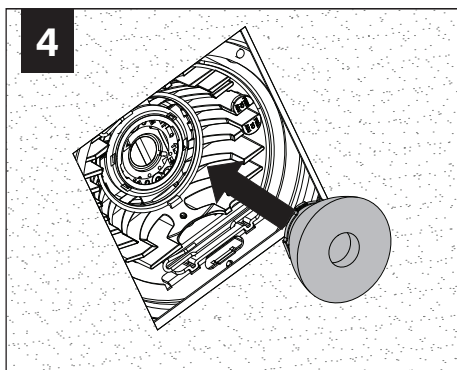
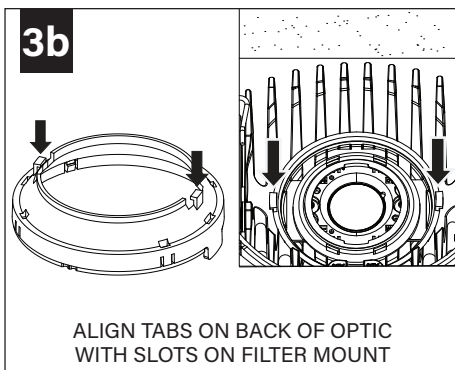
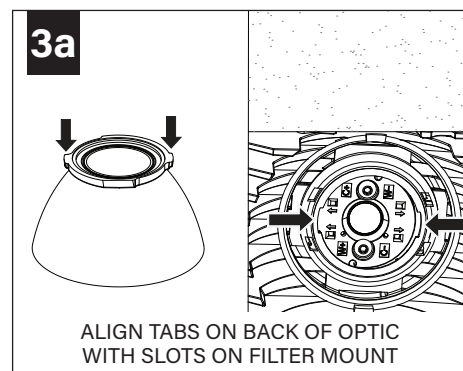
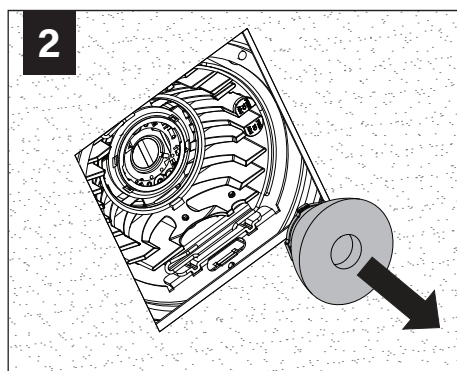
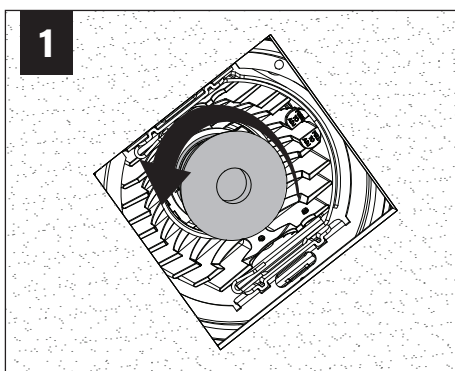


Fixtures must be installed by a qualified electrician (check with local and national codes for proper installation). To prevent electrical shock, disconnect electrical supply before installation or servicing.

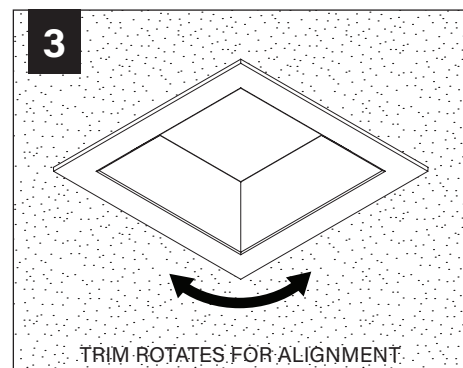
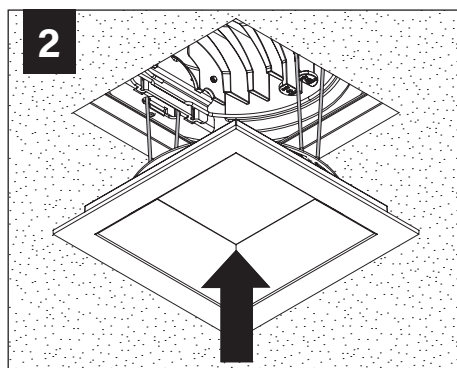
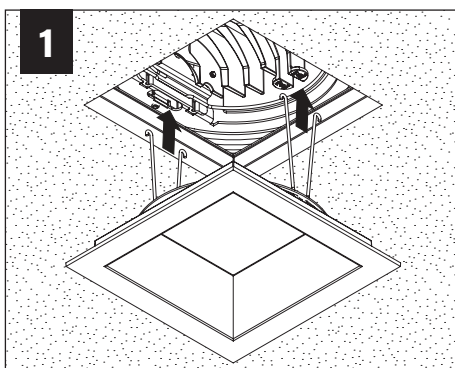
## TILT



## OPTIC SERVICE



## TRIM INSTALLATION

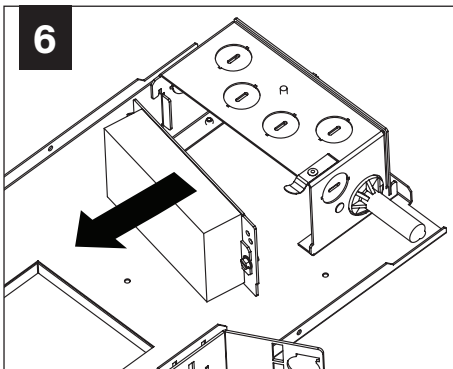
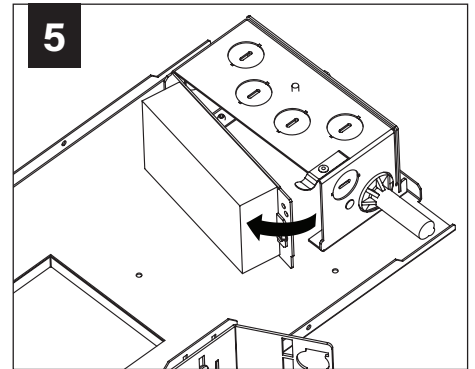
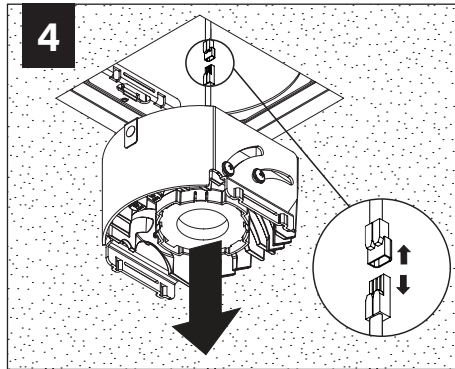
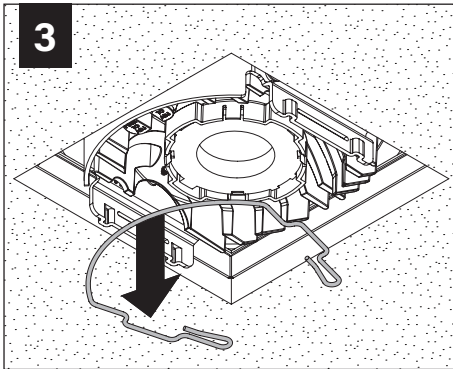
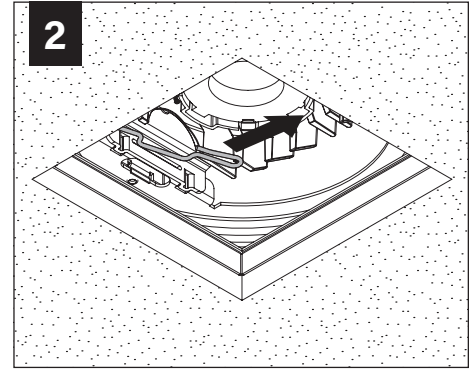
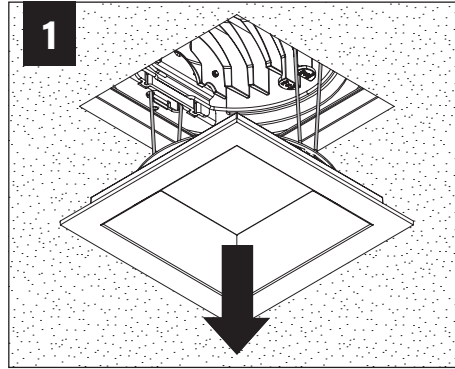


Fixtures must be installed by a qualified electrician (check with local and national codes for proper installation).  
To prevent electrical shock, disconnect electrical supply before installation or servicing.

## DRIVER SERVICE



**TO PREVENT ELECTRICAL SHOCK,  
DISCONNECT ELECTRICAL SUPPLY  
BEFORE SERVICING**



Contractor is responsible for adequately reinforcing walls and/or ceilings to support fixture weight. Focal Point, LLC accepts no responsibility for inadequately reinforced walls and/or ceilings. The information contained in this drawing is the sole property of Focal Point, LLC. Any reproduction in part or whole without the written permission of Focal Point, LLC is prohibited.

## SPOT OPTIC TILT KIT (SOLD SEPARATELY)



**SP10 & SP20 SHIP WITH SHROUDS INSTALLED.**

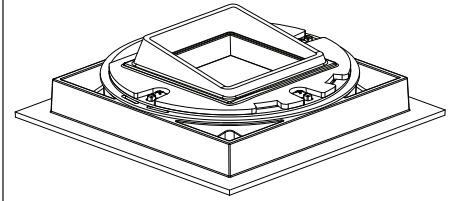
SPOT OPTICS KITS ARE AVAILABLE AS REPLACEMENTS OR IF TILT ANGLE CHANGES FROM WHAT WAS SPECIFIED.

### Distribtuion: Spot (SP)

Optic	Description	Tilt Range
SL*	Solite Lens	0° – 35°
SP00*	Spot Optic, No Lens	0° – 10°
SP10	Spot Optic, No Lens	10° – 20°
SP20	Spot Optic, No Lens	20° – 35°

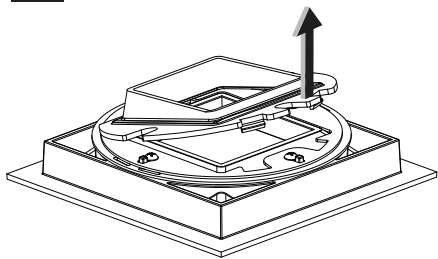
\*Shroud not required

**A**

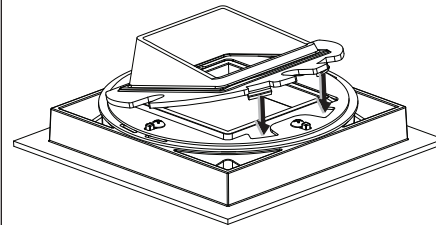


**SP10: 10° – 20°**

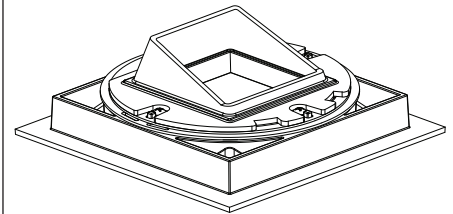
**B**



**C**



**D**



**SP20: 20° – 35°**

Contractor is responsible for adequately reinforcing walls and/or ceilings to support fixture weight. Focal Point, LLC accepts no responsibility for inadequately reinforced walls and/or ceilings. The information contained in this drawing is the sole property of Focal Point, LLC. Any reproduction in part or whole without the written permission of Focal Point, LLC is prohibited.