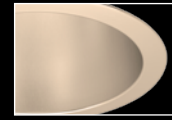


# id+ 6"

LED DOWNLIGHT



clear diffuse

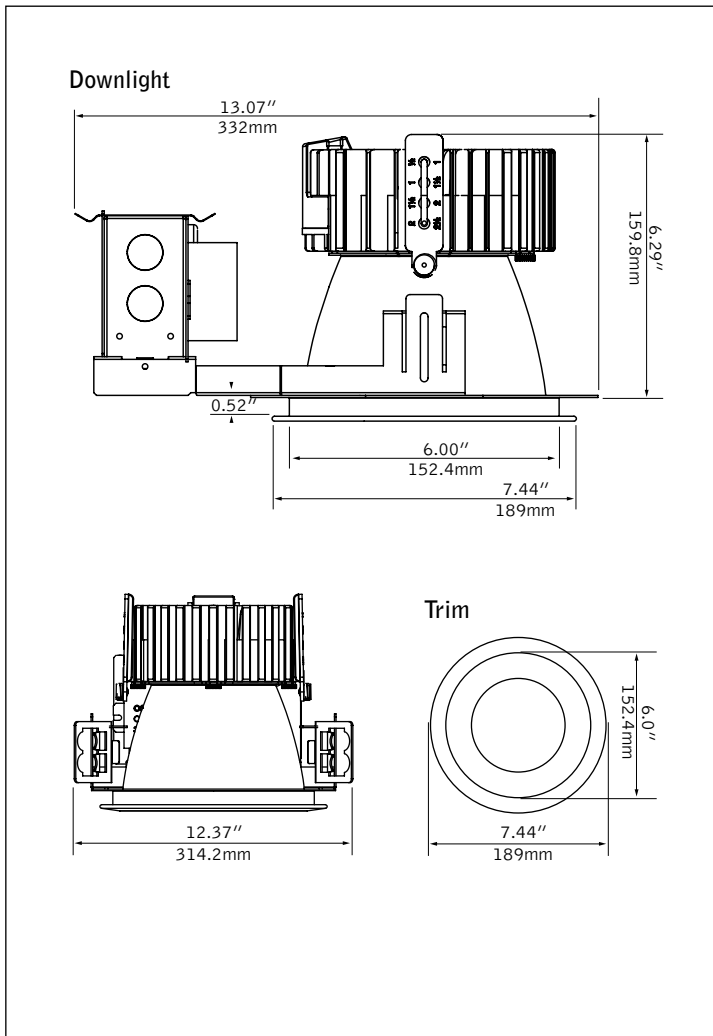


warm diffuse



white painted flange

## DIMENSIONAL DATA



## FEATURES

ChromaSure: Color consistency resulting in a 2-step MacAdam ellipse across the entire ID+ product line.

Field adjustability of ceiling thickness from 0.5" - 2.5".

50 degree cutoff to light source and its image.

Selection of dimming drivers available.

Right Light: Standard delivered lumen outputs 1000, 1500, 2000, 2500 and 3000.

## PERFORMANCE

**PRODUCT OVERVIEW**

- Lumen Output: 1000-3000lm
- Wattage: 11-36W
- LPW: 83-94
- Spacing Criteria: 1.09
- SDCM: 2
- Lumen Maintenance: L70 @ 63,000hrs

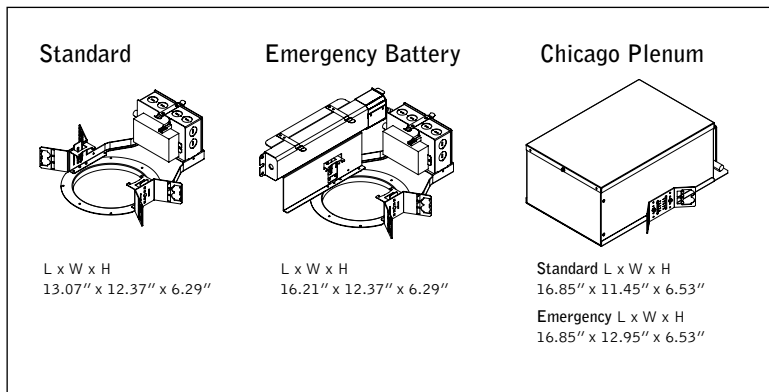
Clear Diffuse Reflector  
3500k, 2000 Lumens

**Delivered Lumens: 2000lm**

**Total System Watts: 21W**

Photometric performance is measured in accordance with IESNA LM-79.  
Visit [focalpointlights.com](http://focalpointlights.com) for complete photometric data.

### HOUSING DETAILS



### HOUSING SPECIFICATIONS

#### Construction

Thermally protected housing for new construction applications. Insulation to be kept 3" away from housing. Butterfly brackets allow mounting to 1/2 emt. Order bar hangers as an accessory. Die-cast aluminum heat sink designed for maximum thermal dissipation. Die-formed housing and integral junction box with (7) 1/2" pry outs. UL & cUL listed for (6) #14 AWG (3 in, 3 out) 90°C conductors and feed through-branch wiring. Accommodates ceiling thicknesses up to 0.5" standard, field adjustable up to 2.5" thickness. For thicker ceiling consult factory. Fixture will not exceed 5 lb.

#### Electrical

Choice of constant current dimming drivers. Power factor > .9 typical.

#### Emergency

Emergency Battery Pack: Bodine BSL17C-C2. Emergency output —7W for 90 minutes. Maximum mounting height: 23.3ft

#### Labels

UL and cUL listed. Wet Location listed, indoor use only.

#### Lumen Maintenance

Reported: L70 at >63,000 hours  
Derived from EPA TM-21 calculator

#### Warranty

LED System rated for operation in ambient environments up to 25°C. 5 year limited warranty.

### TRIM & LED SPECIFICATIONS

#### LED System

Proprietary array incorporates premium LEDs on a robust platform. May be specified in 2700K, 3000K, 3500K or 4000K, CRI>80. Color accuracy within 2 SDCM. Aluminum heat sink provides appropriate thermal management.

#### Aesthetics

Parabolic reflector cone ensures glare free optics. Reflector is .050 spun aluminum. Torsion springs pull trim tight to the ceiling with no visible fasteners within the trim. Trims are self-flanged. Non-painted trim matches reflector finish. White painted flange may also be specified.

#### Optics

50-degree cut-off to light source and its image.

### PERFORMANCE CHART

Delivered Lumens	System Watts	LPW
1000	11	88
1500	17	87
2000	21	94
2500	29	85
3000	36	83

\*Based on 3500/4000K, Clear Diffuse reflector cone. 2700K multiplier: 0.84. 3000K multiplier: 0.92. Lumen output may vary +/- 5%. Actual wattage may vary +/- 5%.

### HOUSING ORDERING

Housing Series	FLC6D
ID+ 6" Round Downlight	FLC6D
<b>Trim Type</b>	
Round Flush	RF
Round Overlap	RO
<b>Lumen Output</b>	
1000 Lumens	1000L
1500 Lumens	1500L
2000 Lumens	2000L
2500 Lumens	2500L
3000 Lumens	3000L
<b>Voltage</b>	
120V	120
277V**	277
<b>Driver</b>	
0-10V - 1% Dimming	L11
0-10V - 10% Dimming	LD1
Lutron A-Series	L3D
1% EcoSystem Digital <small>(Consult factory for 3-wire control)</small>	
DALI - 1% Dimming	D11
<b>Housing Type</b>	<b>T</b>
Thermally Protected, Non-IC	T
<b>Factory Options</b>	
Bar Hangers	BH
Chicago Plenum / National Plenum	CP
Emergency Battery <small>(Must order LC6EM trim)</small>	EM
<b>TRIM &amp; LED MODULE</b>	
<b>Aperture</b>	
6" Round Reflector	LC6
6" Round Reflector - Emergency <small>(Required for "EM" option)</small>	LC6EM
<b>Trim Type</b>	<b>RD</b>
Round	RD
<b>Lumens Output</b>	
1000 Lumens	1000L
1500 Lumens	1500L
2000 Lumens	2000L
2500 Lumens	2500L
3000 Lumens	3000L
<b>Color Temperature</b>	
2700K	27K
3000K	30K
3500K	35K
4000K	40K
<b>Optic</b>	<b>DN</b>
Downlight	DN
<b>Color</b>	
Clear Diffuse	CD
Warm Diffuse	WD
<b>Flange Finish</b>	
Non-Painted	NP
White Painted	WP

A complete unit consists of two line items, housing and trim  
Example: FLC6D-RO-1500L-120-LD1-T | LC6-RD-1500L-35K-DN-CD-NP

# id+ 6"

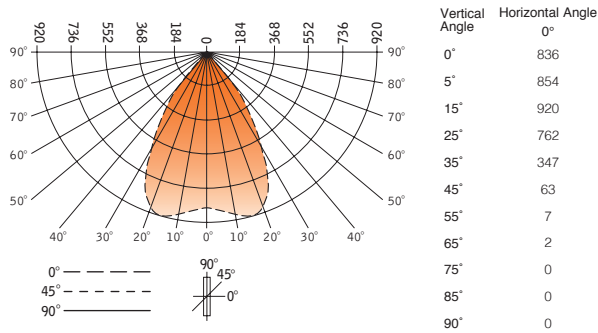
LED DOWNLIGHT

## FLC6D-RO-1000L-120-L11-T / LC6-RO-1000L-35K40K-DN-CD-NP

Filename: FLC6DRO1000L\_35K\_40K\_DNCD.IES  
Test #: 1100924

Lumens: 961lm  
System Watts: 11W  
LPW: 87

### CANDELPWER DISTRIBUTION



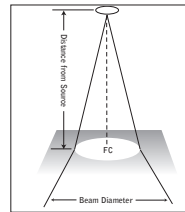
### LUMEN SUMMARY

Zone	Lumens	% Fixture
0-30°	682	71.0
0-40°	898	93.4
0-60°	959	99.8
0-90°	961	100.0
<b>Total Luminaire</b>	<b>0-180°</b>	<b>961</b>

### FOOTCANDLE VALUES

0° aiming angle - horizontal surface

Distance from source	Beam Diameter	Center Beam (FC)
4'	5.2'	52
6'	7.9'	23
8'	10.5'	13
10'	13.1'	8



Footcandle results based on AGI32; Reflectances=0/0/0; LLF=1

Go to [www.focalpointlights.com](http://www.focalpointlights.com) for additional photometric data.

# id+ 6"

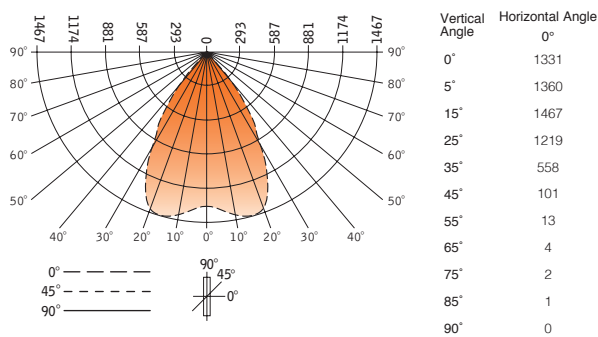
LED DOWNLIGHT

## FLC6D-RO-1500L-120-L11-T / LC6-RO-1500L-35K/40K-DN-CD-NP

Filename: FLC6DRO1500L\_35K\_40K\_DNCD.IES  
Test #: 1100922

Lumens: 1548lm  
System Watts: 18W  
LPW: 86

### CANDELPWER DISTRIBUTION



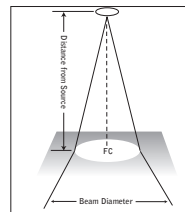
### LUMEN SUMMARY

Zone	Lumens	% Fixture
0-30°	1090	70.4
0-40°	1437	92.8
0-60°	1537	99.3
0-90°	1545	99.8
<b>Total Luminaire</b>	<b>0-180°</b>	<b>1548</b>

### FOOTCANDLE VALUES

0° aiming angle - horizontal surface

Distance from source	Beam Diameter	Center Beam (FC)
4'	5.3'	83
6'	7.9'	37
8'	10.6'	21
10'	13.2'	13



Footcandle results based on AGI32; Reflectances=0/0/0; LLF=1

Go to [www.focalpointlights.com](http://www.focalpointlights.com) for additional photometric data.

# id+ 6"

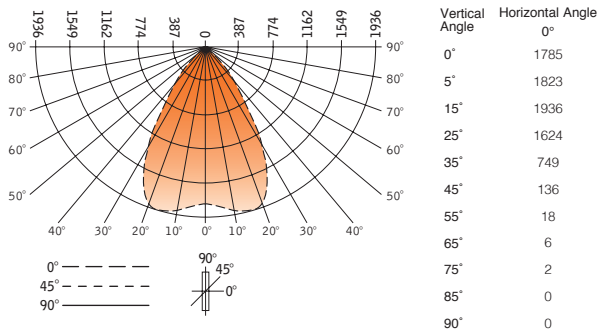
LED DOWNLIGHT

## FLC6D-RO-2000L-120-L11-T / LC6-RO-2000L-35K/40K-DN-CD-NP

Filename: FLC6DRO2000L\_35K\_40K\_DNCD.IES  
 Test #: 1117169

Lumens: 2058  
 System Watts: 22W  
 LPW: 94

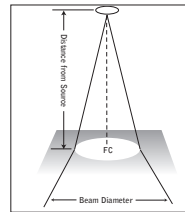
### CANDELPower DISTRIBUTION



### LUMEN SUMMARY

Zone	Lumens	% Fixture	
0-30°	1448	70.4	
0-40°	1913	93.0	
0-60°	2049	99.6	
0-90°	2058	100.0	
<b>Total Luminaire</b>	<b>0-180°</b>	<b>2058</b>	<b>100.0</b>

### FOOTCANDLE VALUES



0° aiming angle - horizontal surface

Distance from source	Beam Diameter	Center Beam (FC)
4'	5.3'	112
6'	7.9'	50
8'	10.6'	28
10'	13.2'	18

Footcandle results based on AGI32; Reflectances=0/0/0; LLF=1

Go to [www.focalpointlights.com](http://www.focalpointlights.com) for additional photometric data.

# id+ 6"

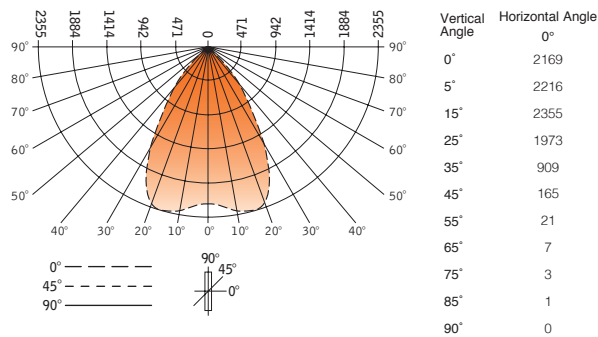
LED DOWNLIGHT

## FLC6D-RO-2500L-120-L11-T / LC6-RO-2500L-35K/40K-DN-CD-NP

Filename: FLC6DRO2500L\_35K\_40K\_DNCD.IES  
 Test #: 1117167

Lumens: 2500  
 System Watts: 30W  
 LPW: 83

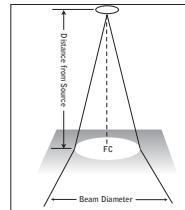
### CANDELPower DISTRIBUTION



### LUMEN SUMMARY

Zone	Lumens	% Fixture	
0-30°	1760	70.4	
0-40°	2325	93.0	
0-60°	2489	99.6	
0-90°	2500	100.0	
<b>Total Luminaire</b>	<b>0-180°</b>	<b>2500</b>	<b>100.0</b>

### FOOTCANDLE VALUES



0° aiming angle - horizontal surface

Distance from source	Beam Diameter	Center Beam (FC)
4'	5.3'	136
6'	7.9'	60
8'	10.6'	34
10'	13.2'	22

Footcandle results based on AGI32; Reflectances=0/0/0; LLF=1

Go to [www.focalpointlights.com](http://www.focalpointlights.com) for additional photometric data.

# id+ 6"

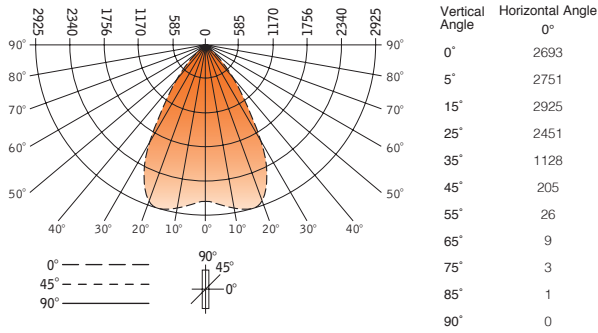
LED DOWNLIGHT

## FLC6D-RO-3000L-120-L11-T / LC6-RO-3000L-35K/40K-DN-CD-NP

Filename: FLC6DRO3000L\_35K\_40K\_DNCD.IES  
 Test #: 1117168

Lumens: 3104  
 System Watts: 38W  
 LPW: 82

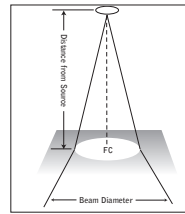
### CANDELPower DISTRIBUTION



### LUMEN SUMMARY

Zone	Lumens	% Fixture
0-30°	2186	70.4
0-40°	2887	93.0
0-60°	3091	99.6
0-90°	3104	100.0
<b>Total Luminaire</b> 0-180°	<b>3104</b>	<b>100.0</b>

### FOOTCANDLE VALUES



0° aiming angle - horizontal surface

Distance from source	Beam Diameter	Center Beam (FC)
4'	5.2'	168
6'	7.9'	75
8'	10.5'	42
10'	13.1'	27

Footcandle results based on AGI32; Reflectances=0/0/0; LLF=1

Go to [www.focalpointlights.com](http://www.focalpointlights.com) for additional photometric data.