

id+ 4.5" round trimless housing

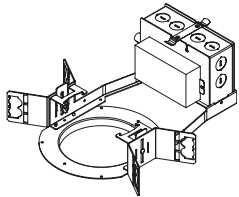
FLC4D-RT | FLC4W-RT



FOCAL POINT®

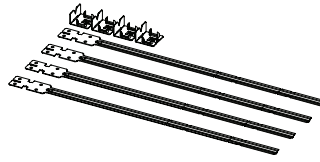
! LUMINAIRE MUST BE INSTALLED PRIOR TO DRYWALL CEILING. !

NON-EMERGENCY - THERMALLY PROTECTED, NON-IC



FLC4D-RT | FLC4W-RT

BAR HANGERS
SOLD SEPARATELY



KEY



POWER OFF



POWER ON



LEVEL

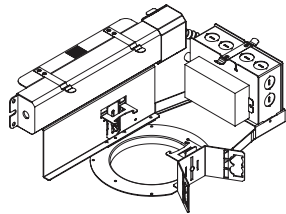


ATTENTION



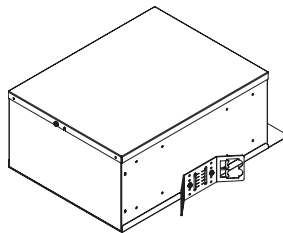
SEE ADDITIONAL INSTRUCTIONS

EMERGENCY - INTEGRAL TEST SWITCH



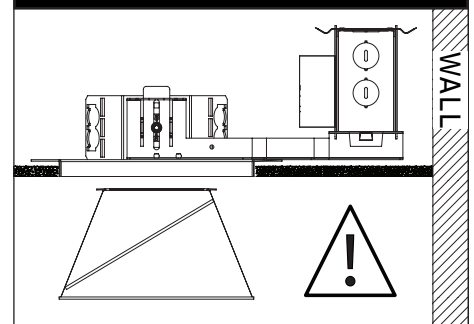
FLC4D-RT | FLC4W-RT

CP - EMERGENCY/NON-EMERGENCY



FLC4D-RT | FLC4W-RT

WALL WASH ORIENTATION



A

I

TO SET CEILING THICKNESS SEE FOCAL POINT INSTRUCTION SHEET IS0609

1

5 3/4" min
6 1/4" max

2 x2

3

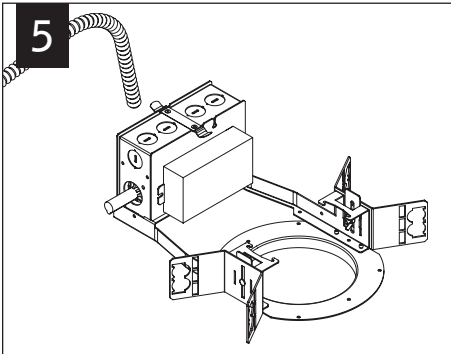
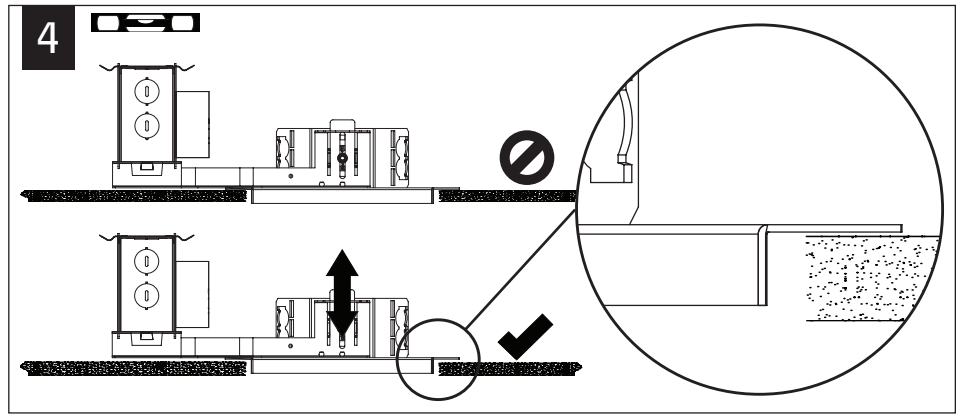
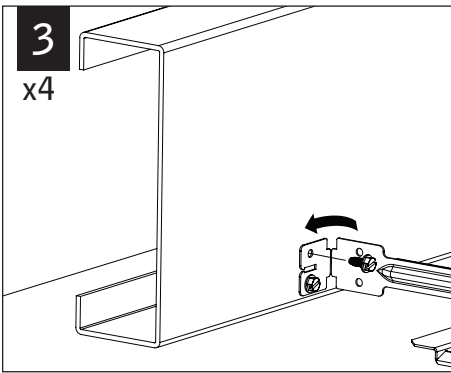
WOOD STUDS

2a x4

2b x4

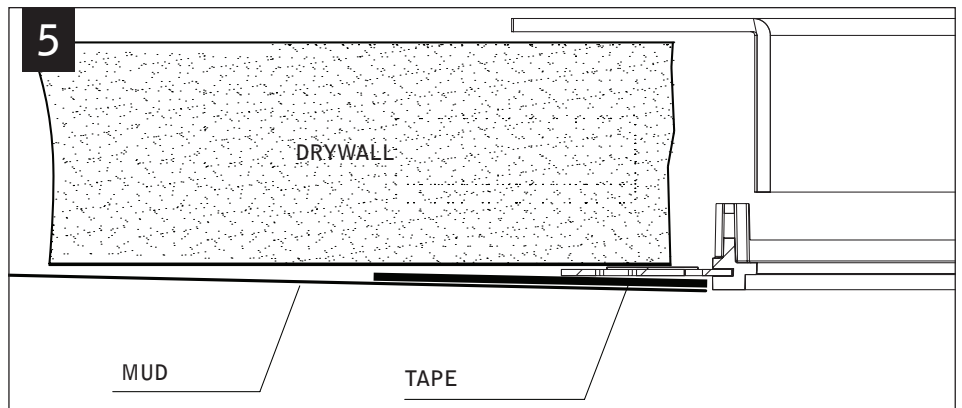
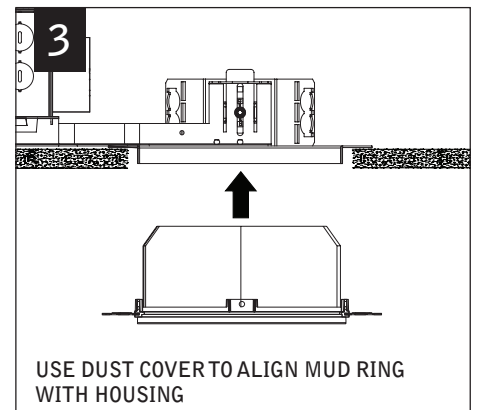
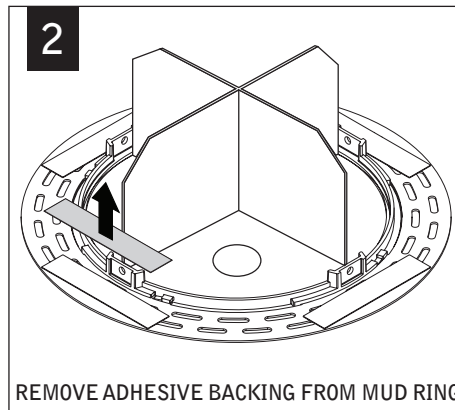
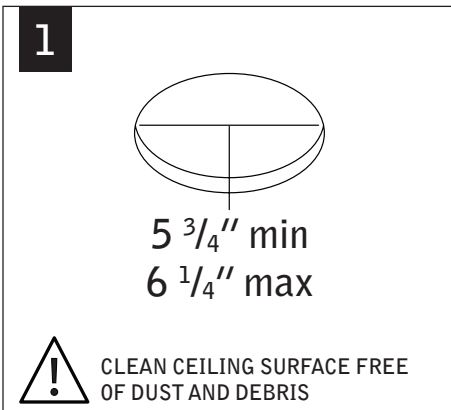
Luminaires must be installed by a qualified electrician (check with local and national codes for proper installation).
To prevent electrical shock, disconnect electrical supply before installation or servicing.

METAL STUDS



MAKE ELECTRICAL CONNECTIONS

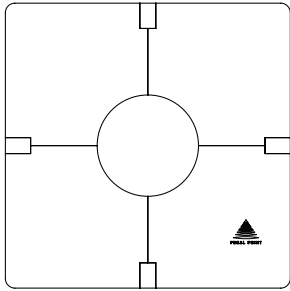
MUD-IN



Fixtures must be installed by a qualified electrician (check with local and national codes for proper installation).
To prevent electrical shock, disconnect electrical supply before installation or servicing.

WOOD CEILING

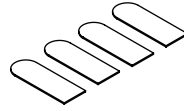
WOOD CEILING INSTALLATION KIT PARTS LIST



WOOD ROUTING JIG

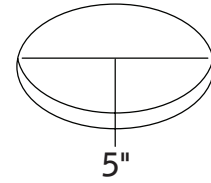


5/16" MINIATURE RABBETING BIT WITH 1/16" CUT DEPTH



3M COMMAND POSTER STRIP #136 (QTY. 40)

1

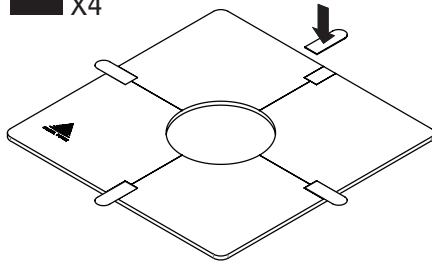


5"



CLEAN WOOD CEILING SURFACE AND WOOD ROUTING JIG FREE OF DUST AND DEBRIS

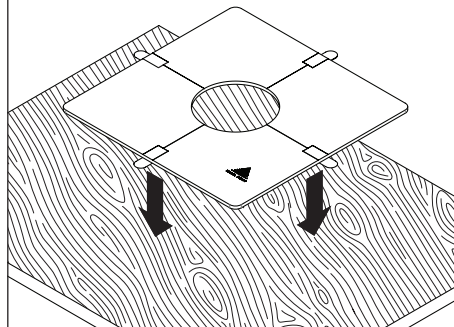
2 X4



ADHERE COMMAND POSTER STRIPS TO WOOD ROUTING JIG

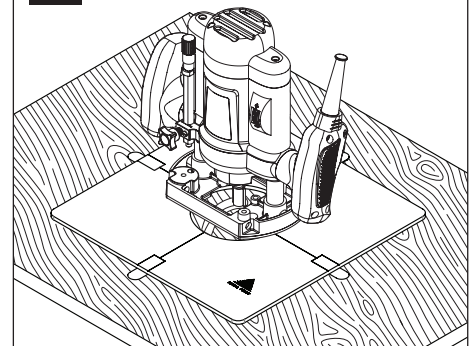
3

ADHERE WOOD ROUTING JIG TO WOOD CEILING SURFACE



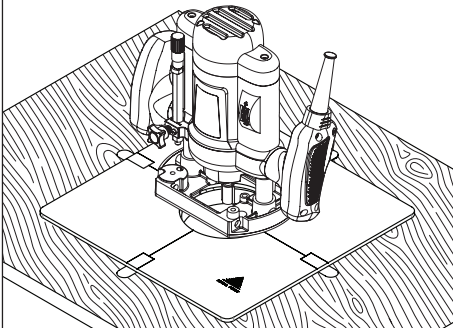
4

CREATE STARTER HOLE



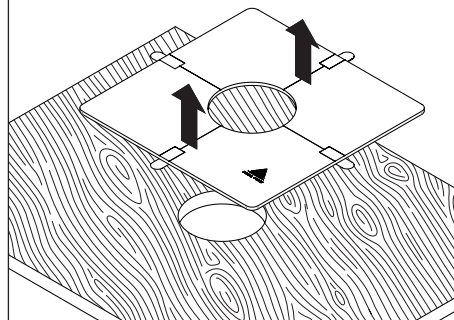
5

CREATE MAIN HOLE USING WOOD CEILING JIG AS GUIDE



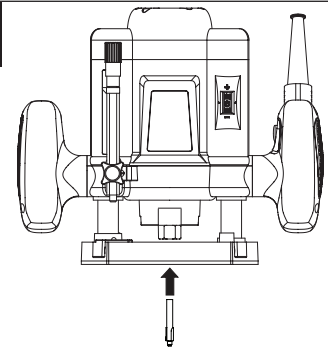
6

REMOVE WOOD ROUTING JIG FROM WOOD CEILING SURFACE



7

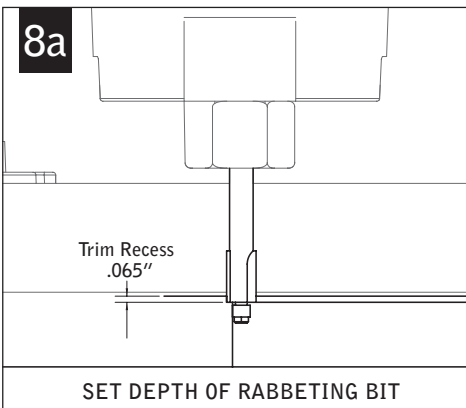
INSTALL 5/16" MINIATURE RABBETING BIT WITH 1/16" CUT DEPTH



8a

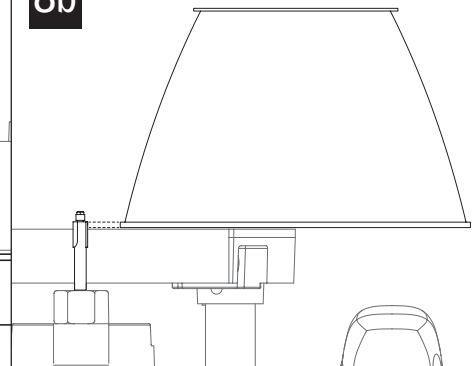
Trim Recess .065"

SET DEPTH OF RABBETING BIT



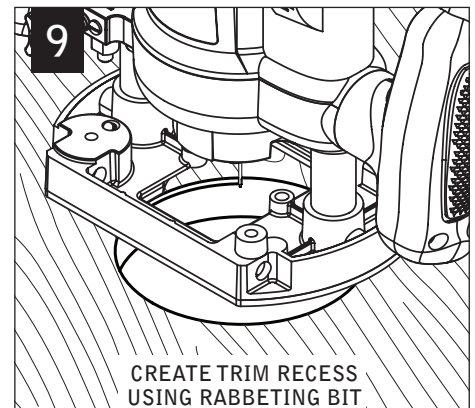
8b

USE TRIM TO DOUBLE CHECK DEPTH



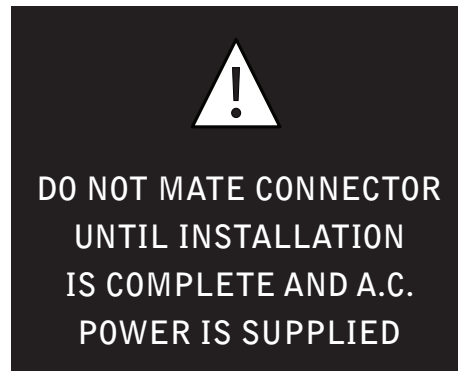
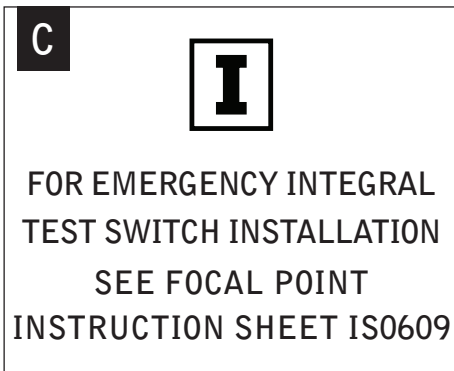
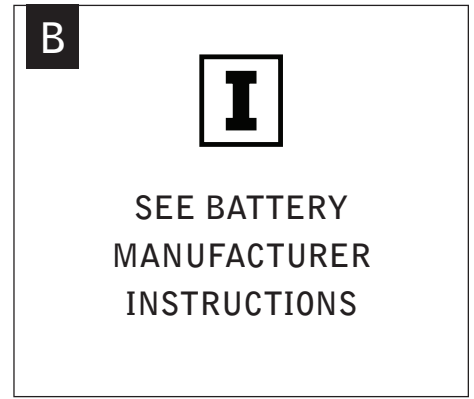
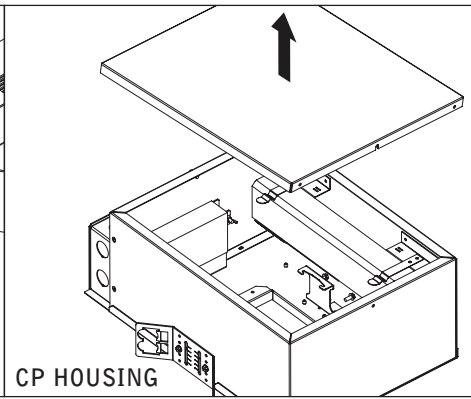
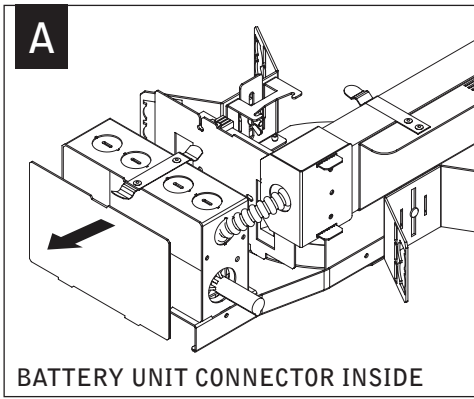
9

CREATE TRIM RECESS USING RABBETING BIT



Fixtures must be installed by a qualified electrician (check with local and national codes for proper installation). To prevent electrical shock, disconnect electrical supply before installation or servicing.

EMERGENCY - INTEGRAL TEST SWITCH



DRIVER SERVICE

