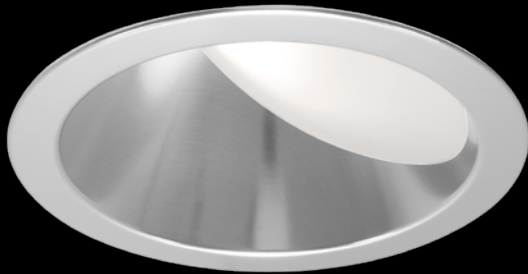


id+ 4.5"

LED WALL WASH



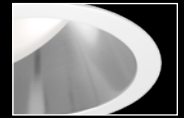
FOCAL POINT®



clear diffuse

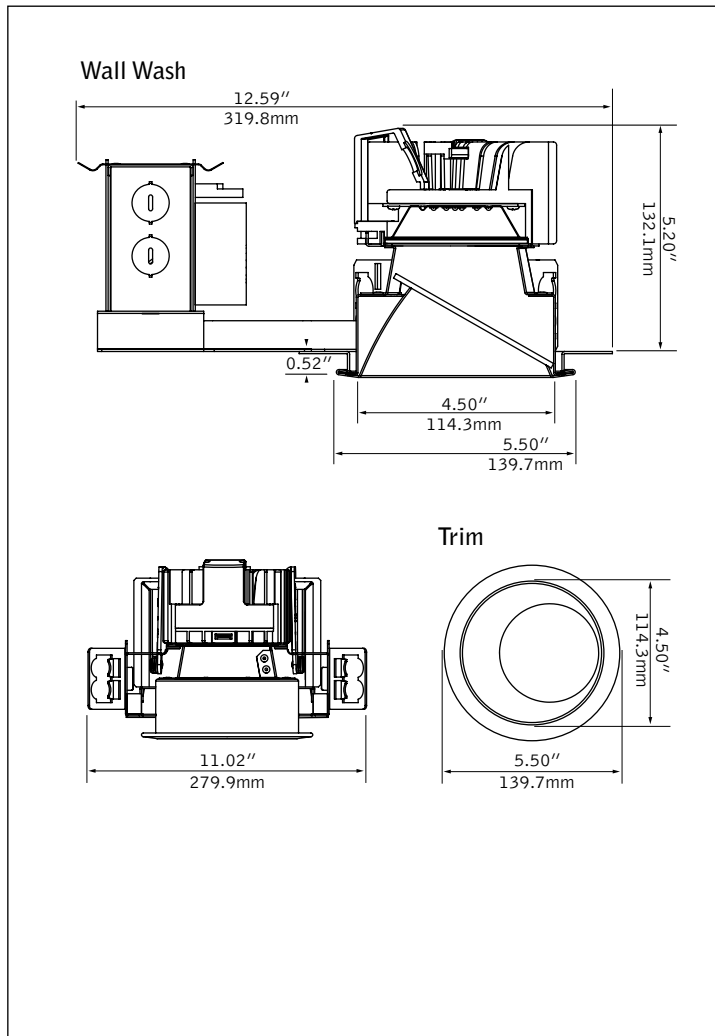


warm diffuse



white painted flange

DIMENSIONAL DATA



FEATURES

ChromaSure: Color consistency resulting in a 2-step MacAdam ellipse across the entire ID+ product line.

Field adjustability of ceiling thickness from 0.5" - 2.5".

Shallow housing.

50 degree cutoff to light source and its image.

Selection of dimming drivers available.

Right Light: Standard delivered lumen outputs 500, 1000 and 1500.

PERFORMANCE

PRODUCT OVERVIEW

Lumen Output:	500-1500lm
Wattage:	11-42W
LPW:	36-44
Spacing Criteria:	1.07
SDCM:	2
Lumen Maintenance:	L70 @ 63,000hrs

Clear Diffuse Reflector
3500k, 1500 Lumens

Delivered Lumens: 1500lm

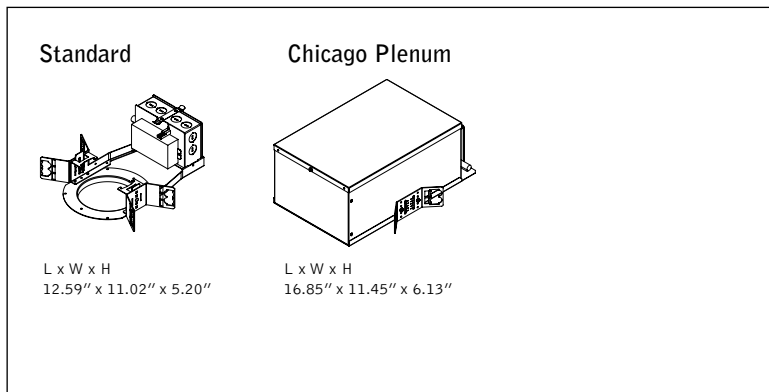
Total System Watts: 42W

Photometric performance is measured in accordance with IESNA LM-79. Visit focalpointlights.com for complete photometric data.

fixture:

project:

HOUSING DETAILS



HOUSING SPECIFICATIONS

Construction

Thermally protected housing for new construction applications. Insulation to be kept 3" away from housing. Butterfly brackets allow mounting to 1/2 emt. Order bar hangers as an accessory. Die-cast aluminum heat sink designed for maximum thermal dissipation. Die-formed housing and integral junction box with (7) 1/2" pry outs. UL & cUL listed for (6) #14 AWG (3 in, 3 out) 90°C conductors and feed through-branch wiring. Accommodates ceiling thicknesses up to 0.5" standard, field adjustable up to 2.5" thickness. For thicker ceiling consult factory. Fixture will not exceed 5 lb.

Electrical

Choice of constant current dimming drivers. Power factor > .9 typical.

Labels

UL and cUL listed. Wet Location listed, indoor use only.

Lumen Maintenance

Reported: L70 at >63,000 hours
Derived from EPA TM-21 calculator

Warranty

LED System rated for operation in ambient environments up to 25°C. 5 year limited warranty.

TRIM & LED SPECIFICATIONS

LED System

Proprietary array incorporates premium LEDs on a robust platform. May be specified in 2700K, 3000K, 3500K or 4000K, CRI>80. Color accuracy within 2 SDCM. Aluminum heat sink provides appropriate thermal management.

Aesthetics

Parabolic reflector cone ensures glare free optics. Reflector is .050 spun aluminum. Torsion springs pull trim tight to the ceiling with no visible fasteners within the trim. Trims are self-flanged. Non-painted trim matches reflector finish. White painted flange may also be specified.

Optics

50-degree cut-off to light source and its image. Wall wash features acrylic diffuser to provide smooth illumination down the wall.

PERFORMANCE CHART

Delivered Lumens	System Watts	LPW
500	11	44
1000	24	41
1500	42	36

*Based on 3500/4000K, Clear Diffuse reflector cone. 2700K multiplier: 0.84. 3000K multiplier: 0.92. Lumen output may vary +/- 5%. Actual wattage may vary +/- 5%.

HOUSING ORDERING

Housing Series	FLC4W	FLC4W
ID+ 4.5" Round Wall Wash		
Trim Type		
Round Flush	RF	
Round Overlap	RO	
Lumen Output		
500 Lumens	500L	
1000 Lumens	1000L	
1500 Lumens	1500L	
Voltage		
120V	120	
277V**	277	
Driver		
0-10V - 1% Dimming	L11	
0-10V - 10% Dimming	LD1	
Lutron A-Series	L3D	
1% EcoSystem Digital (Consult factory for 3-wire control)		
DALI - 1% Dimming	D11	
Housing Type		T
Thermally Protected, Non-IC	T	
Factory Options		
Bar Hangers	BH	
Chicago Plenum / National Plenum	CP	
TRIM & LED MODULE		
Aperture		LC4
4.5" Round Reflector	LC4	
Trim Type		RD
Round	RD	
Lumen Output		
500 Lumens	500L	
1000 Lumens	1000L	
1500 Lumens	1500L	
Color Temperature		
2700K	27K	
3000K	30K	
3500K	35K	
4000K	40K	
Optic		WW
Wall Wash	WW	
Color		
Clear Diffuse	CD	
Warm Diffuse	WD	
Flange Finish		
Non-Painted	NP	
White Painted	WP	

A complete unit consists of two line items, housing and trim
Example: FLC4W-RO-1500L-120-LD1-T | LC4-1500L-35K-RD-WW-CD-NP

id+ 4.5"

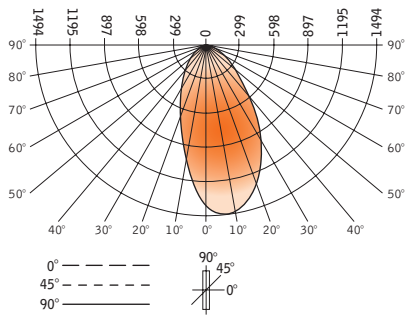
LED WALL WASH

FLC4W-RO-1500L-120-L11-T / LC4-RO-1500L-35K-WW-CD-NP

Filename: FLC4WRO1500L_35K_40K_WWCD.IES
 Test #: 1134955

Lumens: 1500lm
 System Watts: 42W
 LPW: 36

CANDELPower DISTRIBUTION



Vertical Angle	Horizontal Angle				
	0°	45°	90°	135°	180°
0°	1400	1400	1400	1400	1400
5°	1494	1489	1375	1260	1200
15°	1416	1370	1166	871	753
25°	1127	1075	796	494	466
35°	761	705	448	298	297
45°	427	379	234	165	164
55°	232	193	110	57	39
65°	123	87	38	4	5
75°	42	28	5	2	2
85°	3	1	1	1	1
90°	0	0	0	0	0

LUMEN SUMMARY

Zone	Lumens	% Fixture
0-30°	802	53.5
0-40°	1111	74.1
0-60°	1432	95.5
0-90°	1500	100.0
Total Luminaire 0-180°	1500	100.0

Go to www.focalpointlights.com for additional photometric data.