

# id+ 4.5" x 4.5"

LED WALL WASH



FOCAL POINT®



white flange



black flange



titanium silver  
flange

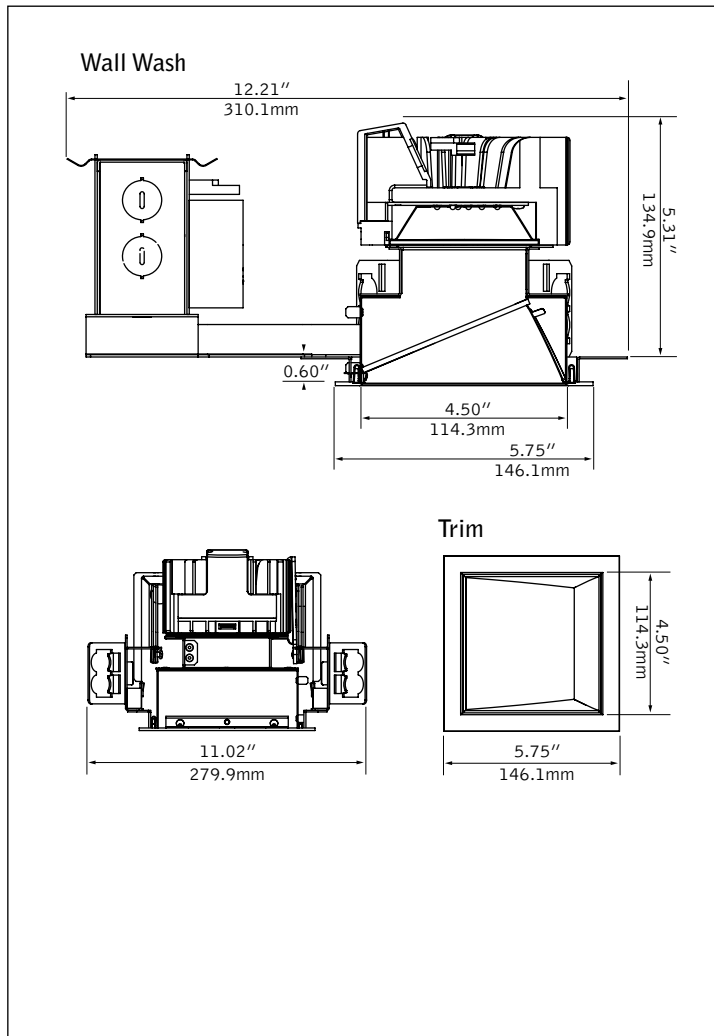


clear diffuse



warm diffuse

## DIMENSIONAL DATA



## FEATURES

ChromaSure: Color consistency resulting in a 2-step MacAdam ellipse across the entire ID+ product line.

Field adjustability of ceiling thickness from 0.5" - 2.5".

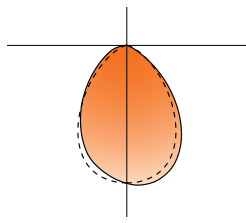
Shallow housing.

50 degree cutoff to light source and its image.

Selection of dimming drivers available.

Right Light: Standard delivered lumen outputs 500, 1000, 1500 and 2000.

## PERFORMANCE



**PRODUCT OVERVIEW**

Lumen Output: 500-2000lm

Wattage: 8-37W

LPW: 54-62

Spacing Criteria: 1.02

SDCM: 2

Lumen Maintenance: L70 @ 63,000hrs

**Clear Diffuse Reflector**  
3500k, 1100 Lumens

**Delivered Lumens: Im**

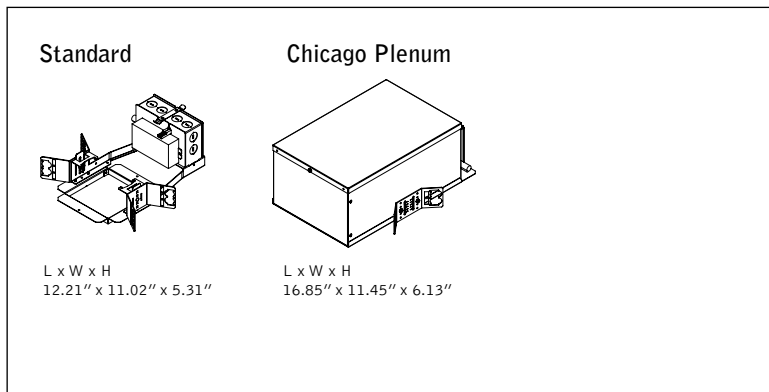
**Total System Watts: W**

Photometric performance is measured in accordance with IESNA LM-79. Visit focalpointlights.com for complete photometric data.

fixture:

project:

## HOUSING DETAILS



## HOUSING SPECIFICATIONS

### Construction

Thermally protected housing for new construction applications. Insulation to be kept 3" away from housing. Butterfly brackets allow mounting to 1/2 emt. Order bar hangers as an accessory. Die-cast aluminum heat sink designed for maximum thermal dissipation. Die-formed housing and integral junction box with (7) 1/2" pry outs. UL & cUL listed for (6) #14 AWG (3 in, 3 out) 90°C conductors and feed through-branch wiring. Accommodates ceiling thicknesses up to 0.5" standard, field adjustable up to 2.5" thickness. For thicker ceiling consult factory. Fixture will not exceed 5 lb.

### Electrical

Choice of constant current dimming drivers. Power factor > .9 typical.

### Labels

UL and cUL listed. Wet Location listed, indoor use only.

### Lumen Maintenance

Reported: L70 at >63,000 hours  
Derived from EPA TM-21 calculator

### Warranty

LED System rated for operation in ambient environments up to 25°C. 5 year limited warranty.

## TRIM & LED SPECIFICATIONS

### LED System

Proprietary array incorporates premium LEDs on a robust platform. May be specified in 2700K, 3000K, 3500K or 4000K, CRI>80. Color accuracy within 2 SDCM. Aluminum heat sink provides appropriate thermal management.

### Aesthetics

Die-formed aluminum reflector ensures glare free optics. Reflector attaches to die-cast, seamless flange and may be removed for field painting. Torsion springs pull trim tight to the ceiling with no visible fasteners within the trim.

### Optics

55-degree cut-off to light source and its image. Wall wash features acrylic diffuser to provide smooth illumination down the wall.

## PERFORMANCE CHART

Delivered Lumens	System Watts	LPW
500*	8	60
1000	18	56
1500	24	62
2000	37	54

\*Based on 3500/4000K, Clear Diffuse reflector cone, 2700K multiplier: 0.84, 3000K multiplier: 0.92. Lumen output may vary +/- 5%. Actual wattage may vary +/- 5%. \*\*Lutron A-Series 1% EcoSystem Dimming (L3D) delivers 550lm at 11.5W.

## HOUSING ORDERING

<b>Housing Series</b>	<b>FLC44W</b>
ID+ 4.5" Square Wall Wash	FLC44W
<b>Trim Type</b>	
Square Flush	SF
Square Overlap	SO
<b>Lumen Output</b>	
500 Lumens	500L
1000 Lumens	1000L
1500 Lumens	1500L
2000 Lumens	2000L
<b>Voltage</b>	
120V	120
277V**	277
<b>Driver</b>	
0-10V - 1% Dimming	L11
0-10V - 10% Dimming	LD1
Lutron A-Series	L3D
1% EcoSystem Digital <small>(Consult factory for 3-wire control)</small>	
DALI - 1% Dimming	D11
<b>Housing Type</b>	<b>T</b>
Thermally Protected, Non-IC	T
<b>Factory Options</b>	
Bar Hangers	BH
Chicago Plenum / National Plenum	CP
<b>TRIM &amp; LED MODULE</b>	
<b>Aperture</b>	<b>LC44</b>
4.5" Square Reflector	LC44
<b>Trim Type</b>	<b>SQ</b>
Square	SQ
<b>Lumen Output</b>	
500 Lumens	500L
1000 Lumens	1000L
1500 Lumens	1500L
2000 Lumens	2000L
<b>Color Temperature</b>	
2700K	27K
3000K	30K
3500K	35K
4000K	40K
<b>Optic</b>	<b>WW</b>
Wall Wash	WW
<b>Color</b>	
Clear Diffuse	CD
Warm Diffuse	WD
<b>Flange Finish</b>	
White	WH
Black	BK
Titanium Silver	TS
Aluminum Raw	AL

A complete unit consists of two line items, housing and trim  
Example: FL44W-SO-1500L-30K-120-LD1-T | L44-SQ-DN-CD-WH

# id+ 4.5" x 4.5"

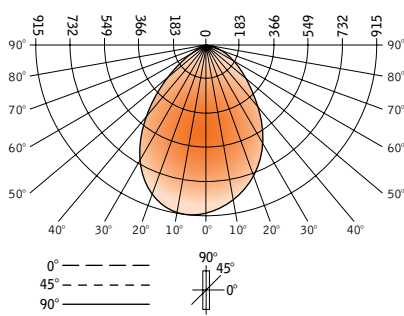
LED WALL WASH

## FLC44W-SO-1500L-120-L11-T / LC44-SO-1500L-35K-WW-CD-NP

Filename: FLC44WSO1500L\_35K\_40K\_WWCD.IES  
 Test #: 1134956

Lumens: 1500lm  
 System Watts: 24W  
 LPW: 63

### CANDELPower DISTRIBUTION



Vertical Angle	Horizontal Angle				
	0°	45°	90°	135°	180°
0°	898	898	898	898	898
5°	874	877	893	906	915
15°	796	805	843	876	887
25°	664	692	710	766	778
35°	499	518	505	567	589
45°	340	340	299	332	364
55°	216	200	148	135	152
65°	135	112	58	29	35
75°	79	51	15	6	5
85°	12	6	2	3	1
90°	0	0	0	0	0

### LUMEN SUMMARY

Zone	Lumens	% Fixture
0-30°	651	43.4
0-40°	984	65.6
0-60°	1391	92.8
0-90°	1500	100.0
<b>Total Luminaire</b> 0-180°	1500	100.0

Go to [www.focalpointlights.com](http://www.focalpointlights.com) for additional photometric data.