

id[®] 4.5"

LED - REMOTE PHOSPHOR WALL WASH

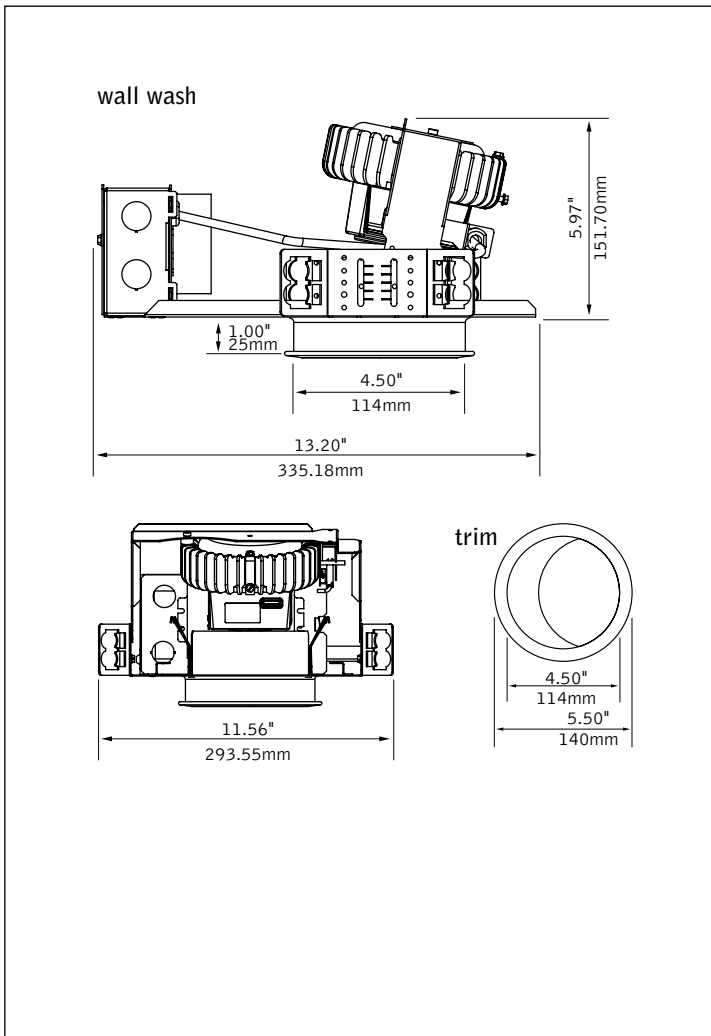


clear diffuse



warm diffuse

DIMENSIONAL DATA



FEATURES

LED module features remote phosphor technology enabling a high system efficacy and minimum 80 CRI.

Intelligent driver delivers specified lumen output regardless of color temperature.

Flicker-free 0-10V analog dimming capability standard.

Low profile housing.

LED module tilted to deliver excellent wall wash performance.

PERFORMANCE

PRODUCT OVERVIEW

Lumen Output:	809-1419lm
Wattage:	16-29W
LPW:	49-50
SDCM:	3
Lumen	L70 @
Maintenance:	50,000hrs

Clear Diffuse Reflector
3000k, 1500 Lumen LED
Module

Delivered Lumens: 1053lm

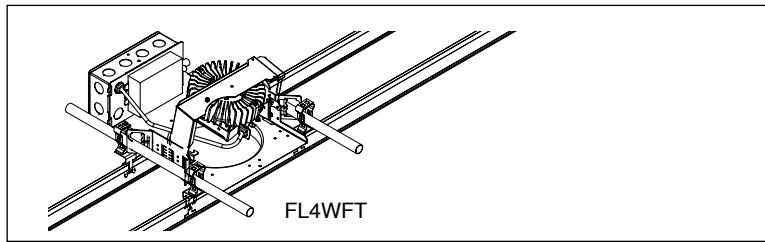
Total System Watts: 21W

Photometric performance is measured in accordance with IESNA LM-79.
Visit focalpointlights.com for complete photometric data.

fixture:

project:

HOUSING TYPES (Note: Wall wash must be positioned perpendicular to length of technical zone.)



HOUSING SPECIFICATIONS

LED System

Powered by Philips' Fortimo™ LED DLM, Advance Xitanium LED driver and communication cable. Aluminum heat sink provides appropriate thermal management.

LED Module

Philips' Fortimo™ LED DLM features patented remote phosphor technology for superior efficacy and color consistency. Module may be specified in 3000K or 3500K, CRI>80.

Construction

Thermally protected housing for new construction applications. Insulation to be kept 3" away from housing. Butterfly brackets allow mounting to 1/2 emt. Order bar hangers as an accessory. Die-cast aluminum heat sink designed for maximum thermal dissipation. Die-formed housing and integral junction box with (7) 1/2" pry outs. Accommodates ceiling thicknesses up to 1" (FL4W) or 2" (FL4WFT). FL4WFT housing includes mounting clips to integrate between 6" on center tees. Fixture will not exceed 5 lb. 18" O.C. fixture to wall and 36" O.C. fixture to fixture spacing required.

Electrical

Advance Xitanium multi-volt 120V-277V constant current driver includes standard 0-10V analog dimming. Power factor >.9 typical, 50/60Hz., 200-700mA. "Thermal Guard" offers protection from overheating in abnormal conditions; driver will dim DLM if necessary. Voltage specific thermal protectors included standard.

Dimming

0-10V DC low voltage dimming capability is included with the standard Advance Xitanium driver. Dimming range is to 10% light output, some dimmers may require high and/or low end trim adjustment for proper function.

Labels

UL and cUL listed. Suitable for Dry or Damp Locations, indoor use only. Lensed trims suitable for Wet Location.

Lumen Maintenance

L70 at 50,000 hours

Warranty

LED System rated for operation in ambient environments up to 25°C. 5 year limited warranty.

TRIM SPECIFICATIONS

Aesthetics

Parabolic reflector cone ensures glare free optics. Reflector is .050 spun aluminum. Torsion springs pull trim tight to the ceiling with no visible fasteners within the trim. Trims are self-flanged, non-painted to match reflector finish. White painted flange may also be specified.

Optics

Wall wash features high reflectance white kicker reflector and Prismatic tempered glass diffuser to provide smooth illumination down the wall.

PERFORMANCE CHART

Nominal Output	Color Temp	System Watts	Delivered Lumens	LPW
11LED	3000K	16	809	49.4
15LED	3000K	21	1053	50.1
20LED	3000K	29	1419	49.5

*Based on Clear Diffuse reflector cone. Rated Output is the same for all color temps. Wattage reduction with other color temps. Lumen output may vary +/- 5%. Actual wattage may vary +/- 5%.

HOUSING ORDERING

Housing Series	_____
ID LED Round	FL4W
ID LED Round for mounting between 6" on center tees <small>(Not recommended with single-tile spacing between fixtures due to ceiling tile interference)</small>	FL4WFT
Trim Type	_____
Round Flush	RF
Round Overlap	RO
Nominal Output	_____
1100 Lumen LED Module	11LED
1500 Lumen LED Module	15LED
2000 Lumen LED Module	20LED
Color Temperature	_____
3000K	30K
3500K	35K
Voltage	_____
120V	120
277V	277
Driver	_____
0-10V Dimming	LD1
Lutron A-Series - 1% EcoSystem Digital <small>(consult factory for 3-wire control)</small>	L3D
Housing Type	<u> T </u>
Thermally Protected, Non-IC	T
Factory Options	_____
Bar Hangers <small>(FL4W only)</small>	BH
Chicago Plenum	CP
Emergency Battery <small>Consult EM specific cutsheet</small>	
TRIM ORDERING	_____
Aperture	<u> L4 </u>
4.5" Round Reflector	L4
Trim Type	<u> RD </u>
Round	RD
Optic	<u> WW </u>
Lensed Wall Wash <small>(Wet location)</small>	WW
Color	_____
Clear Diffuse	CD
Warm Diffuse	WD
Flange Finish	_____
Non-Painted	NP
White Painted	WP

A complete unit consists of two line items, housing and trim
Example: FL4W-RO-15LED-30K-120-LD1-T | L4-RD-WW-CD-NP



id[®] 4.5"

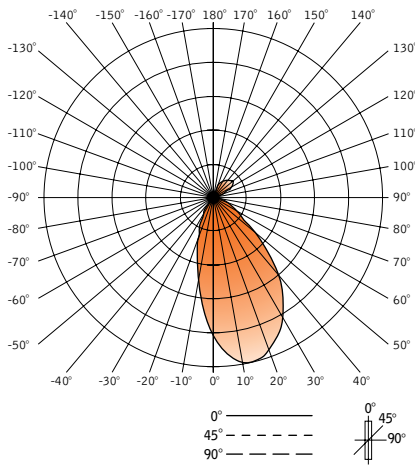
LED WALL WASH

FL4W-RO-11LED-L30-120-LD1-T / L4-RD-WW-CD

Filename: FL4WWCD11LEDL30.IES
Test #: 101418870CHI-009

Lumens: 809lm
System Watts: 16W
LPW: 49

CANDELPower DISTRIBUTION



Vertical Angle	Horizontal Angle				
	0°	22.5°	45°	67.5°	90°
0°	543	543	543	543	543
5°	604	596	580	556	528
15°	629	612	569	505	430
25°	563	540	481	391	284
35°	441	416	346	241	150
45°	262	238	181	118	72
55°	125	113	88	58	31
65°	62	56	43	37	12
75°	24	22	22	12	4
85°	2	11	33	10	2
90°	1	20	43	13	2
95°	2	20	33	18	4
105°	4	28	48	48	19
115°	56	57	64	59	28
125°	72	68	67	61	38
135°	76	68	58	57	44
145°	67	62	54	53	46
155°	54	49	36	44	41
165°	6	7	7	13	15
175°	1	1	1	1	1
180°	1	1	1	1	1

LUMEN SUMMARY

Zone	Lumens	% Fixture
0-30°	316.7	39.2
0-40°	446.2	55.2
0-60°	576.2	71.2
0-90°	623.6	77.1
Total Luminaire 0-180°	808.8	100.0

Go to www.focalpointlights.com for additional photometric data.

id[®] 4.5"

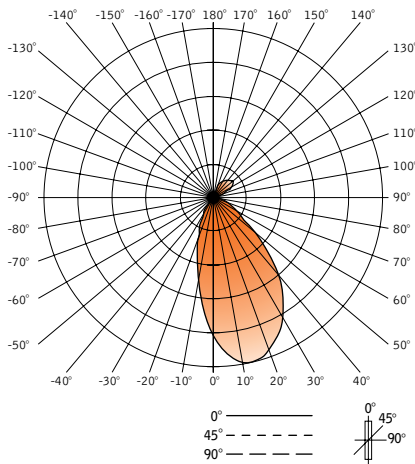
LED WALL WASH

FL4W-RO-15LED-L30-120-LD1-T / L4-RD-WW-CD

Filename: FL4WWCD15LEDL30.IES
Test #: 101418870CHI-010

Lumens: 1053lm
System Watts: 21W
LPW: 50

CANDELPower DISTRIBUTION



Vertical Angle	Horizontal Angle				
	0°	22.5°	45°	67.5°	90°
0°	693	693	693	693	693
5°	774	764	742	711	674
15°	806	786	730	646	548
25°	718	692	614	498	360
35°	563	531	439	308	192
45°	334	306	234	152	92
55°	159	146	114	74	39
65°	79	72	55	46	17
75°	31	28	28	15	6
85°	2	13	45	14	2
90°	2	24	53	15	2
95°	3	23	41	21	5
105°	5	34	66	61	24
115°	92	94	84	74	38
125°	115	108	89	81	52
135°	116	102	84	82	61
145°	102	94	79	79	64
155°	88	83	64	64	57
165°	17	13	11	16	20
175°	1	1	1	2	1
180°	1	1	1	1	1

LUMEN SUMMARY

Zone	Lumens	% Fixture
0-30°	403.6	38.3
0-40°	568.6	54.0
0-60°	735.8	69.9
0-90°	795.7	75.6
Total Luminaire 0-180°	1053	100.0

Go to www.focalpointlights.com for additional photometric data.

id[®] 4.5"

LED WALL WASH

FL4W-RO-20LED-L30-120-LD1-T / L4-RD-WW-CD

Filename: FL4WWCD20LEDL30.IES

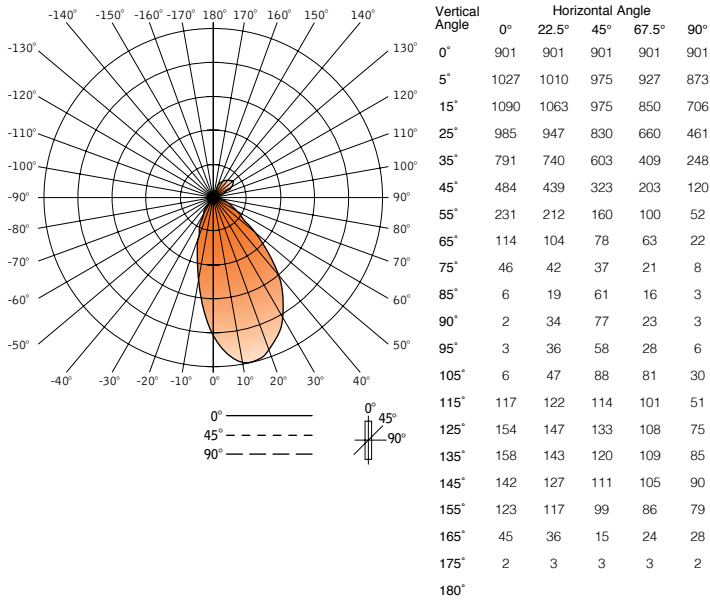
Lumens: 1419lm

Test #: 101418870CHI-011

System Watts: 29W

LPW: 49

CANDELPower DISTRIBUTION



LUMEN SUMMARY

Zone	Lumens	% Fixture
0-30°	529.7	37.3
0-40°	751.9	53.0
0-60°	981.6	69.2
0-90°	1065	75.1
Total Luminaire 0-180°	1419	100.0

Go to www.focalpointlights.com for additional photometric data.