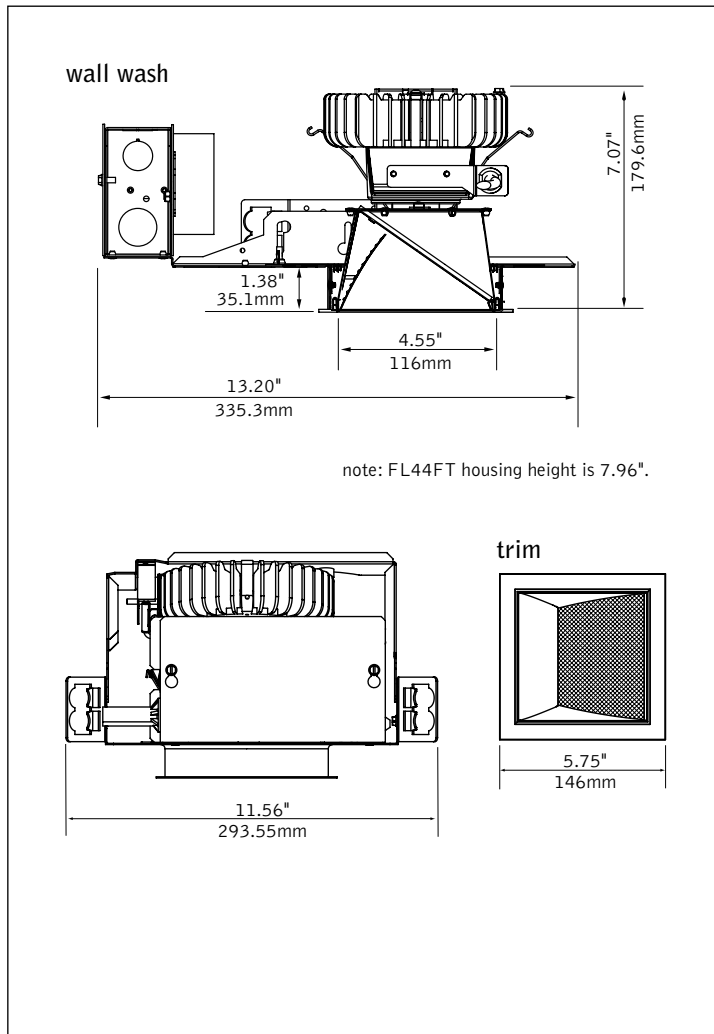


# id<sup>®</sup> 4.5" x 4.5"

LED - REMOTE PHOSPHOR WALL WASH



## DIMENSIONAL DATA



## FEATURES

LED module features remote phosphor technology enabling a high system efficacy and minimum 80 CRI.

Intelligent driver delivers specified lumen output regardless of color temperature.

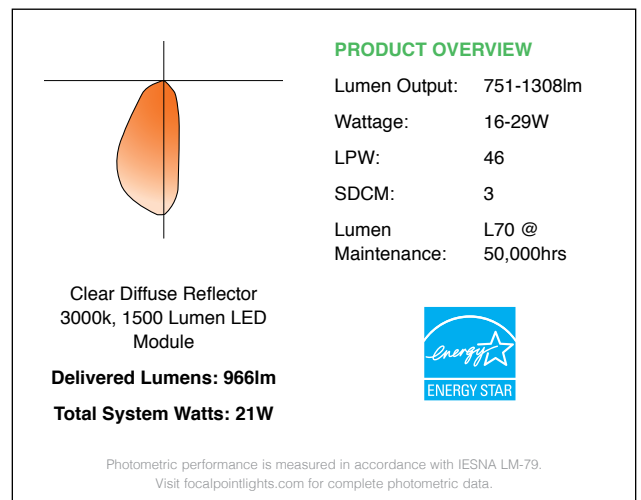
Flicker-free 0-10V analog dimming capability standard.

Low profile housing.

Housing design allows die-cast trim flange to rotate to align with architecture and adjacent luminaires, a fixed option is also available.

Angled MicroGlow lens redirects light to deliver asymmetric distribution.

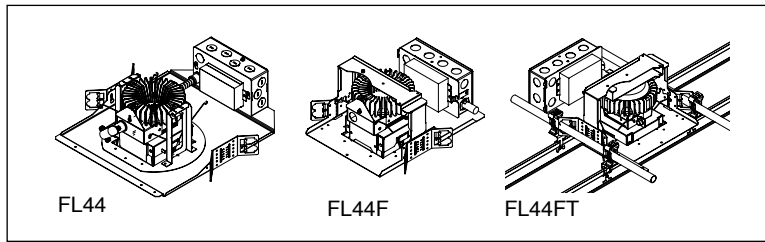
## PERFORMANCE



fixture:

project:

**HOUSING TYPES** (Note: Wall wash must be positioned perpendicular to length of technical zone.)



**HOUSING SPECIFICATIONS**

**LED System**

Powered by Philips' Fortimo™ LED DLM, Advance Xitanium LED driver and communication cable. Aluminum heat sink provides appropriate thermal management.

**LED Module**

Philips' Fortimo™ LED DLM features patented remote phosphor technology for superior efficacy and color consistency. Module may be specified in 3000K or 3500K, CRI>80.

**Construction**

Thermally protected housing for new construction applications. Insulation to be kept 3" away from housing. Butterfly brackets allow mounting to ½ emt. Order bar hangers as an accessory. Die-cast aluminum heat sink designed for maximum thermal dissipation. Die-formed housing and integral junction box with (7) 1/2" pry outs. Accommodates ceiling thicknesses up to 1" (FL44) or 2" (FL44F/FL44FT). FL44FT housing includes mounting clips to integrate between 6" on center tees. Fixture will not exceed 5 lb. 18" O.C. fixture to wall and 36" O.C. fixture to fixture spacing required.

**Electrical**

Advance Xitanium multi-volt 120V-277V constant current driver includes standard 0-10V analog dimming. Power factor >.9 typical, 50/60Hz., 200-700mA. "Thermal Guard" offers protection from overheating in abnormal conditions; driver will dim DLM if necessary. Voltage specific thermal protectors included standard.

**Dimming**

0-10V DC low voltage dimming capability is included with the standard Advance Xitanium driver. Dimming range is to 10% light output, some dimmers may require high and/or low end trim adjustment for proper function.

**Labels**

UL and cUL listed. Suitable for Dry or Damp Locations, indoor use only. Lensed trims suitable for Wet Location.

**Lumen Maintenance**

L70 at 50,000 hours

**Warranty**

LED System rated for operation in ambient environments up to 25°C. 5 year limited warranty.

**TRIM SPECIFICATIONS**

**Aesthetics**

Die-formed aluminum reflector ensures glare free optics. Reflector attaches to die-cast, seamless flange and may be removed for field painting. Torsion springs pull trim tight to the ceiling with no visible fasteners within the trim. Trim position rotates up to 110° for fine adjustment (FL44).

**Optics**

Wall wash features high reflectance white kicker reflector and micro prism tempered glass diffuser to provide smooth illumination down the wall.

**PERFORMANCE CHART**

Nominal Output	Color Temp	System Watts	Delivered Lumens	LPW
11LED	3000K	16	751	46.0
15LED	3000K	21	966	46.1
20LED	3000K	29	1308	45.6

\*Based on Clear Diffuse reflector cone. Rated Output is the same for all color temps. Wattage reduction with other color temps. Lumen output may vary +/- 5%. Actual wattage may vary +/- 5%.

**HOUSING ORDERING**

<b>Housing Series</b>	_____
ID LED Square with rotating trim alignment feature	FL44
ID LED Square with fixed aperture	FL44F
ID LED Square for mounting between 6" on center tees <small>(Not recommended with single-tile spacing between fixtures due to ceiling tile interference)</small>	FL44FT
<b>Trim Type</b>	_____
Square Overlap	SO
Square Flush <small>(FL44 &amp; FL44F only)</small>	SF
<b>Nominal Output</b>	_____
1100 Lumen LED Module	11LED
1500 Lumen LED Module	15LED
2000 Lumen LED Module	20LED
<b>Color Temperature</b>	_____
3000K	30K
3500K	35K
<b>Voltage</b>	_____
120V	120
277V	277
<b>Driver</b>	_____
0-10V Dimming	LD1
Lutron A-Series - 1% EcoSystem Digital <small>(consult factory for 3-wire control)</small>	L3D
<b>Housing Type</b>	<b>T</b>
Thermally Protected, Non-IC	T
<b>Factory Options</b>	_____
Bar Hangers <small>(FL44, FL44F only)</small>	BH
Chicago Plenum	CP
Emergency Battery <small>Consult EM specific cutsheet</small>	

**TRIM ORDERING**

<b>Aperture</b>	<b>L44</b>
4.5" Square Reflector	L44
<b>Trim Type</b>	<b>SQ</b>
Square <small>(Compatible with SO and SF housings)</small>	SQ
<b>Optic</b>	<b>WWMG</b>
Wall Wash with MicroGlow Lens <small>(Wet location)</small>	WWMG
<b>Color</b>	_____
Clear Diffuse	CD
Warm Diffuse	WD
Silver Talc Diffuse	TD
<b>Flange Finish</b>	_____
White	WH
Black	BK
Titanium Silver	TS
Aluminum Raw	AL

A complete unit consists of two line items, housing and trim  
Example: FL44-SO-15LED-30K-120-LD1-T | L44-SQ-WWMG-CD-WH

