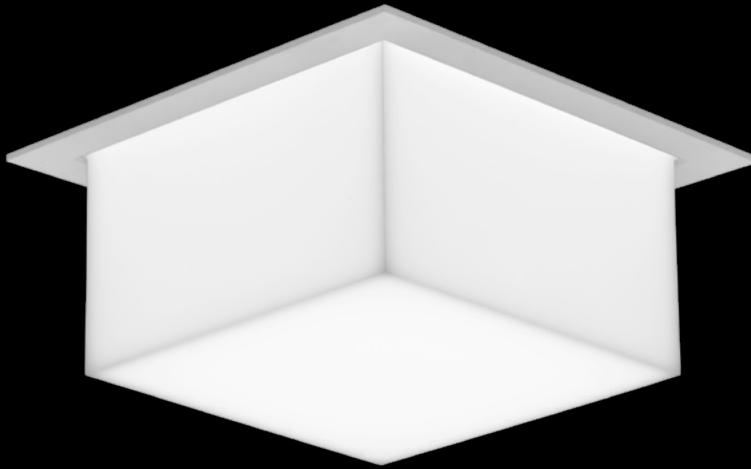


# 4.5" x 4.5" Nivo®

LED - REMOTE PHOSPHOR



1" drop

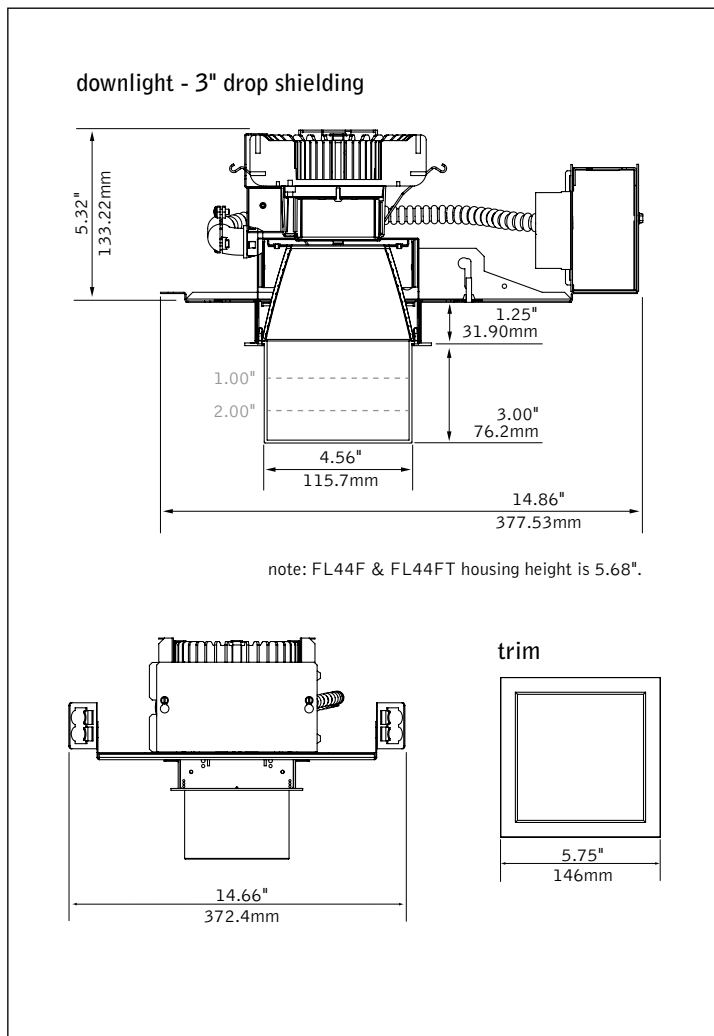


2" drop



3" drop

## DIMENSIONAL DATA



## FEATURES

Architectural recessed LED luminaire with decorative drop diffuser.

LEDs evenly backlight a formed frosted acrylic lens, creating a soft and pleasant glow.

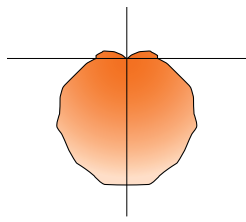
Specify the drop diffuser position in 1", 2" or 3" depths.

LED module features remote phosphor technology enabling a high system efficacy and minimum 80 CRI.

1100 & 1500 LED modules available.

Intelligent driver delivers specified lumen output regardless of color temperature.

## PERFORMANCE



**PRODUCT OVERVIEW**

Lumen Output: 567-620lm

Wattage: 15W

LPW: 37-40

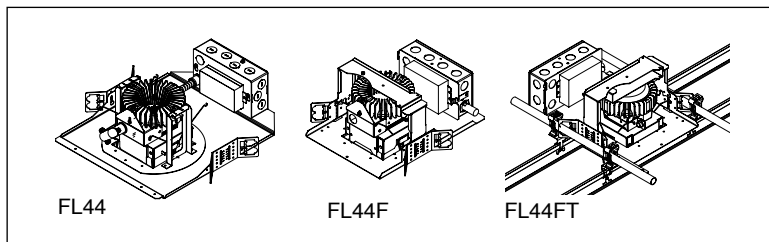
SDCM: 3

Lumen Maintenance: L70 @ 50,000hrs

**3" Drop Shielding**  
Nominal Output: 1100lm  
**Delivered Lumens: 620lm**  
**Total System Watts: 15W**

Photometric performance is measured in accordance with IESNA LM-79.  
Visit [focalpointlights.com](http://focalpointlights.com) for complete photometric data.

## HOUSING TYPES



## HOUSING SPECIFICATIONS

### LED System

Powered by Philips' Fortimo™ LED DLM, Advance Xitanium LED driver and communication cable. Aluminum heat sink provides appropriate thermal management.

### LED Module

Philips' Fortimo™ LED DLM features patented remote phosphor technology for superior efficacy and color consistency. Module may be specified in 3000K or 3500K, CRI>80.

### Construction

Thermally protected housing for new construction applications. Insulation to be kept 3" away from housing. Butterfly brackets allow mounting to ½ emt. Order bar hangers as an accessory. Die-cast aluminum heat sink designed for maximum thermal dissipation. Die-formed housing and integral junction box with (7) 1/2" pry outs. Accommodates ceiling thicknesses up to 1" (FL44) or 2" (FL44F/FL44FT). FL44FT housing includes mounting clips to integrate between 6" on center tees. Fixture will not exceed 5 lb. 18" O.C. fixture to wall and 36" O.C. fixture to fixture spacing required.

### Electrical

Advance Xitanium multi-volt 120V-277V constant current driver includes standard 0-10V analog dimming. Power factor >.9 typical, 50/60Hz., 200-700mA. "Thermal Guard" offers protection from overheating in abnormal conditions; driver will dim DLM if necessary. Voltage specific thermal protectors included standard.

### Dimming

0-10V DC low voltage dimming capability is included with the standard Advance Xitanium driver. Dimming range is to 10% light output, some dimmers may require high and/or low end trim adjustment for proper function.

### Labels

UL and cUL listed. Suitable for Dry or Damp Locations, indoor use only.

### Lumen Maintenance

L70 at 50,000 hours

### Warranty

LED System rated for operation in ambient environments up to 25°C. 5 year limited warranty.

## TRIM SPECIFICATIONS

### Aesthetics

Die-formed aluminum reflector ensures glare free optics. Reflector attaches to die-cast, seamless flange and may be removed for field painting. Torsion springs pull trim tight to the ceiling with no visible fasteners within the trim. Trim position rotates up to 110° for fine adjustment (FL44).

### Optics

.125" thick formed frosted acrylic diffuser.

## PERFORMANCE CHART

Shielding	Nominal Output	Total System Watts	Delivered Lumens	LPW
1" Drop	11LED	15	567	37
3" Drop	11LED	15	620	40

\*Lumen output may vary +/- 5%. Actual wattage may vary +/- 5%

## HOUSING ORDERING

<b>Housing Series</b>		
ID LED Square with rotating trim alignment feature	FL44	
ID LED Square with fixed aperture	FL44F	
ID LED Square for mounting between 6" on center tees <small>(Not recommended with single-tile spacing between fixtures due to ceiling tile interference)</small>	FL44FT	
<b>Trim Type</b>		
Square Overlap	SO	
Square Flush	SF	
<b>Nominal Output</b>		
1100 Lumen LED Module	11LED	
1500 Lumen LED Module	15LED	
<b>Color Temperature</b>		
3000K	30K	
3500K	35K	
<b>Voltage</b>		
120V	120	
277V	277	
<b>Driver</b>		
0-10V Dimming	LD1	
Lutron A-Series - 1% EcoSystem Digital <small>(consult factory for 3-wire control)</small>	L3D	
<b>Housing Type</b>		<b>T</b>
Thermally Protected, Non-IC	T	
<b>Factory Options</b>		
Bar Hangers <small>(FL44, FL44F only)</small>	BH	
<b>TRIM ORDERING</b>		
<b>Aperture</b>		<b>L44</b>
4.5" Square Reflector	L44	
<b>Trim Type</b>		<b>SQ</b>
Square <small>(Compatible with SO and SF housings)</small>	SQ	
<b>Optic</b>		
1" Drop	AC1	
2" Drop	AC2	
3" Drop	AC3	
<b>Flange Finish</b>		
White	WH	
Black	BK	
Titanium Silver	TS	
Aluminum Raw	AL	

A complete unit consists of two line items, housing and trim  
Example: FL44-SO-15LED-30K-120-LD1-T | L44-SQ-AC3-WH

# 4.5" x 4.5" Nivo™

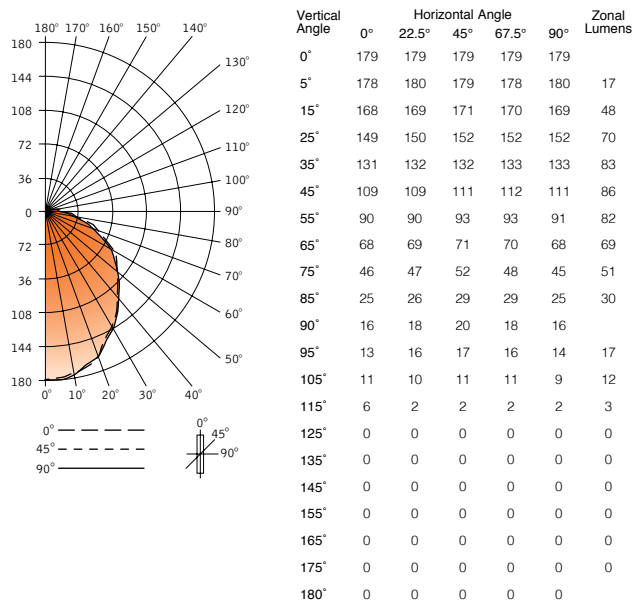
1" DROP

## FL44-SO-11LED-35K-120-LD1 / L44-SQ-AC1-WH

Filename: FL44DNAC111LED35K.IES  
Test #: 18421.0

Lumens: 567lm  
System Watts: 15W  
LPW: 37

### CANDLEPOWER DISTRIBUTION



### LUMEN SUMMARY

Zone	Lumens	% Fixture
0-30°	135	23.8
0-40°	218	38.5
0-60°	386	68.1
0-90°	535	94.5
<b>Total Luminaire 0-180°</b>	<b>567</b>	<b>100.0</b>

### LUMINANCE DATA (CD/M²)

Vertical Angle	0°	45°	90°
45°	11713	9785	9785
55°	11856	9346	9115
65°	12171	8662	8243
75°	13474	8286	7181
85°	22006	7064	6216

Go to [www.focalpointlights.com](http://www.focalpointlights.com) for additional photometric data.

# 4.5" x 4.5" Nivo™

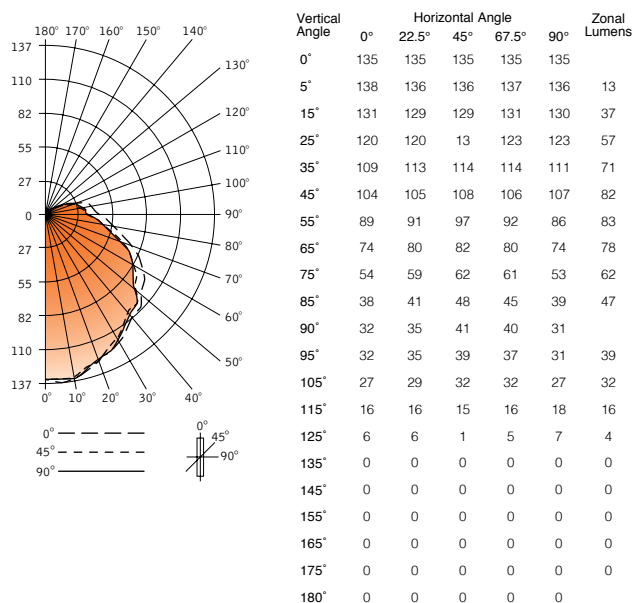
3" DROP

## FL44-SO-11LED-35K-120-LD1 / L44-SQ-AC3-WH

Filename: FL44DNAC311LED35K.IES  
Test #: 18422.0

Lumens: 620lm  
System Watts: 15W  
LPW: 40

### CANDLEPOWER DISTRIBUTION



### LUMEN SUMMARY

Zone	Lumens	% Fixture
0-30°	106	17.2
0-40°	177	28.6
0-60°	342	55.1
0-90°	529	85.4
<b>Total Luminaire 0-180°</b>	<b>620</b>	<b>100.0</b>

### LUMINANCE DATA (CD/M²)

Vertical Angle	0°	45°	90°
45°	11141	6982	6685
55°	11751	6567	5863
65°	13256	6053	5456
75°	15896	5236	4460
85°	33143	4893	3961

Go to [www.focalpointlights.com](http://www.focalpointlights.com) for additional photometric data.