

Groove™ F

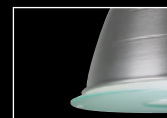
FLUORESCENT



decorative grooves



stepped canopy & single point suspension



frosted green diffusion disk

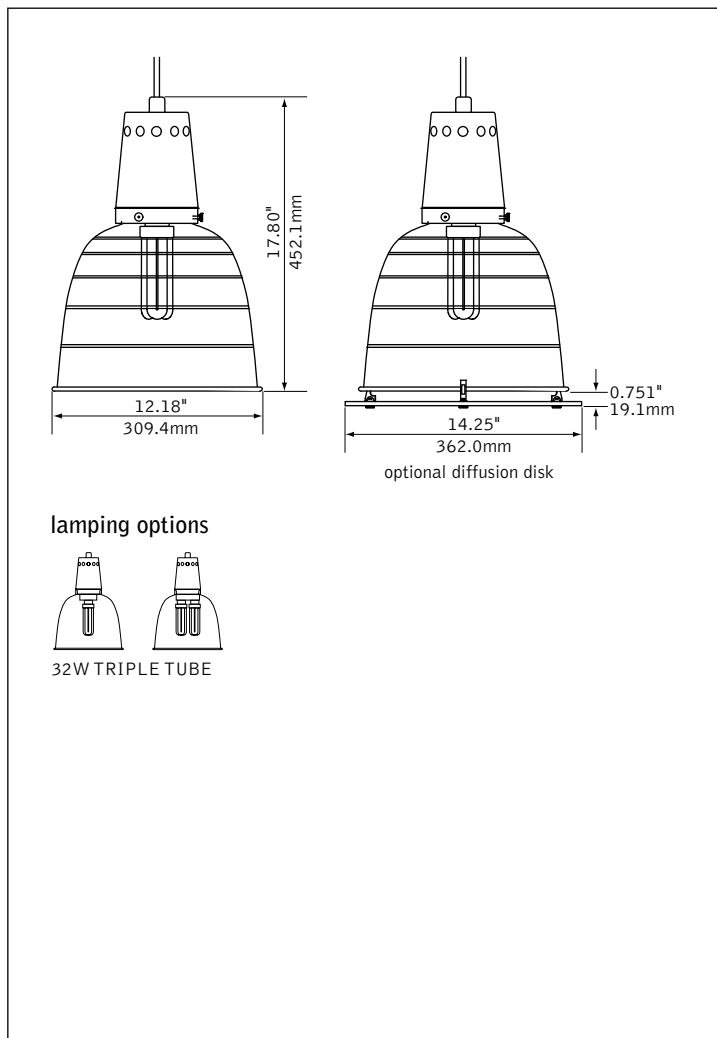


frosted white diffusion disk



sconce companion

DIMENSIONAL DATA



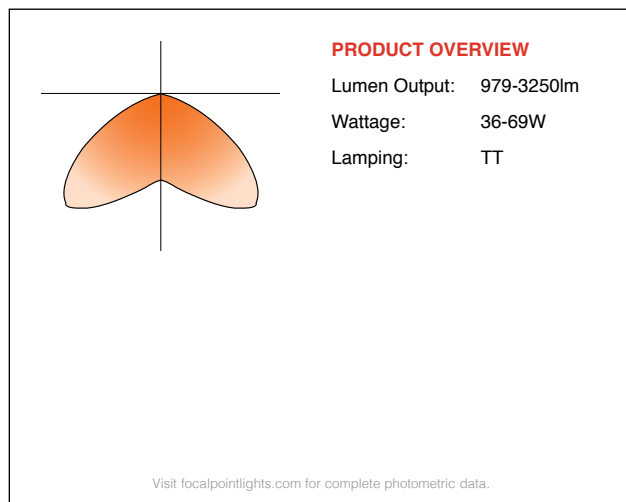
FEATURES

Pendant mount decorative compact fluorescent luminaire.

Housing, reflector and canopy are spun with high quality aluminum.

Ideally suited for retail, hospitality, lobbies, corridors, open ceiling areas and other specialty applications.

PERFORMANCE



fixture:

project:

SPECIFICATIONS

Construction

Housing, reflector and canopy are one-piece precision-spun 14Ga. aluminum. Housing: 7.62"H x 5.25" Dia. Reflector: 10.98"H x 12.18" Dia. aperture with grooved cylindrical pattern. Canopy: 1.32"H x 4.52" Dia. stepped design with #8-32 recessed set screw. Weight: 10 lbs .

Optic

14Ga. anodized aluminum reflector with diffuse satin matte surface for lamp image reduction. Optional frosted green or white acrylic diffusion disk with polished edges are retained by aluminum fasteners and 3 #8-32 thumb screws.

Electrical

Luminaires are pre-wired for single circuit with thermally protected Class "P" electronic ballast. Factory installed decorative metal braided power cord is included. White SJT power cord supplied for 347V. 144" cord is provided on all luminaires and may be cut to length in field. One or two lamp triple tube compact fluorescent, 4-pin, 32W (GX24q-3).

Labels

UL listed.

Finish

Luminaire housing, reflector and canopy are clear anodized with polished satin finish. Reflector interior has matte diffuse finish.

ORDERING

Luminaire Series		FGR
Groove	FGR	
Profile		F
Profile	F	
Lamp Quantity		1
One Lamp	1	
Two Lamp	2	
Lamp Type		
32w. Triple Tube, GX24q-3	32TT	
Ballast		S
Electronic <15% THD	S	
Voltage		
120 Volt	120	
277 Volt	277	
347 Volt	347	
Suspension		C144
Cable, Straight Feed	C144	
<small>(144" cable, cut in field)</small>		
Factory Options		
Frosted Green Diffusion Disk	GD	
Frosted White Diffusion Disk	WD	
Include 3000K Lamp*	L830	
Include 3500K Lamp*	L835	
Include 4100K Lamp*	L841	
Finish		NA
Natural Anodized	NA	
<small>(Contact factory for paint color options)</small>		