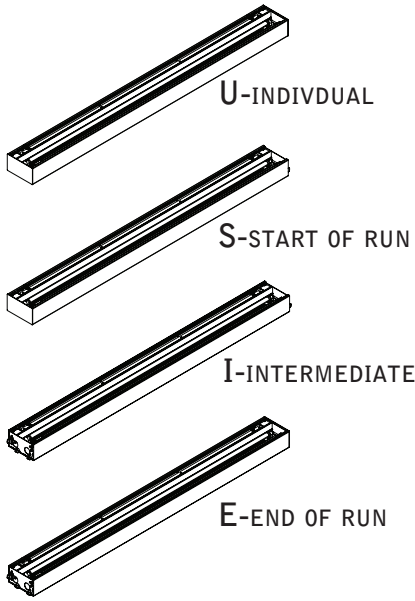


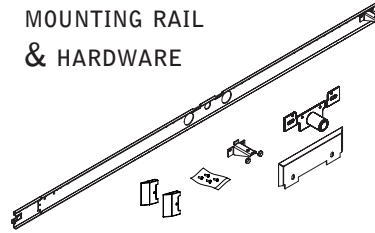
FOCAL POINT



LUMINAIRE WEIGHTS

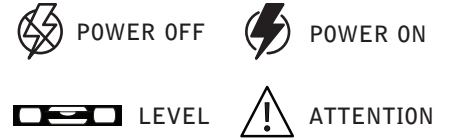
4' - 15LBS
8' - 28LBS

MOUNTING RAIL & HARDWARE

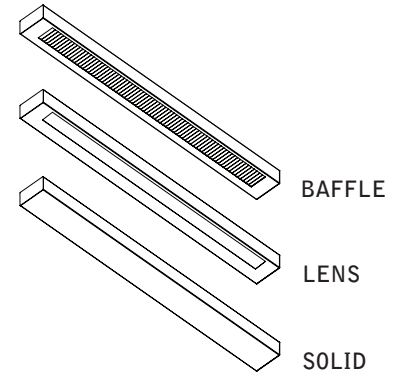


J-BOX & WALL FASTENERS PROVIDED BY OTHERS

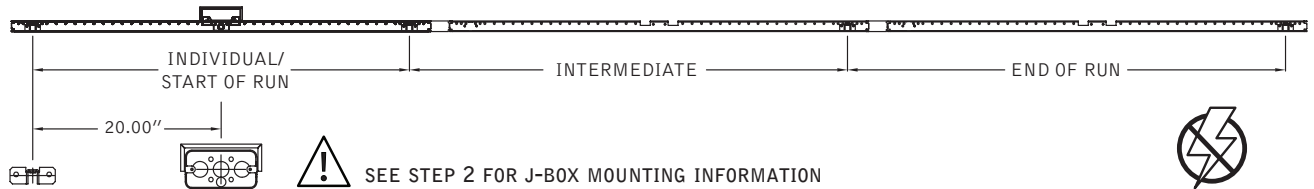
KEY



SHIELDING OPTIONS

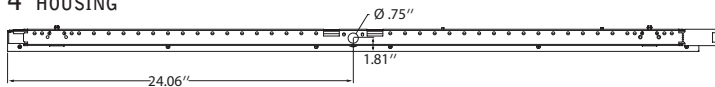


1



RUN LENGTH	WALL RAILS REQUIRED		
	INDIVIDUAL/START OF RUN	INTERMEDIATE(S)	END OF RUN
4'	1		
8'	2		
12'	2		1
16'	2		2
20'	2	1	2
24'	2	2	2
28'	2	4	1
32'	2	4	2

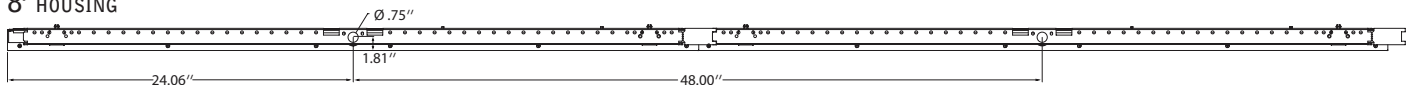
4' HOUSING



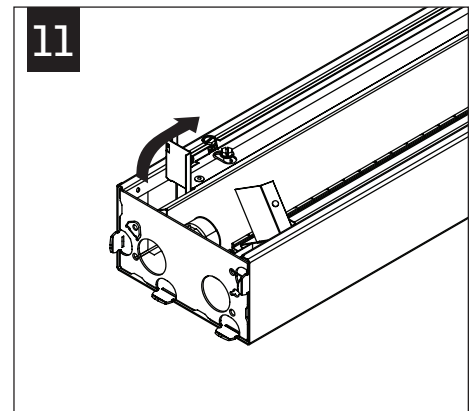
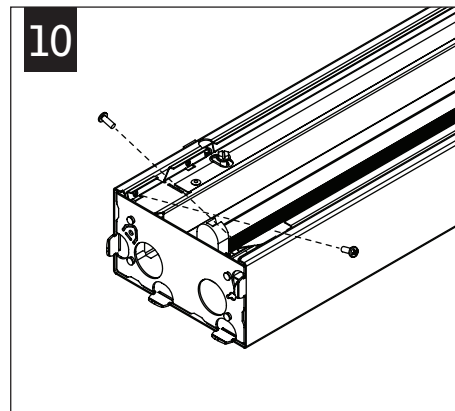
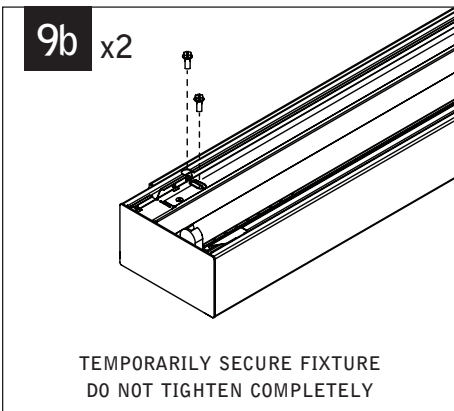
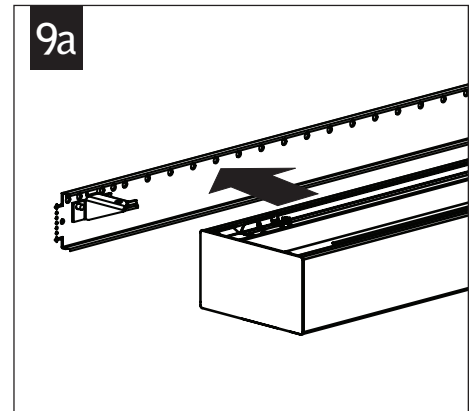
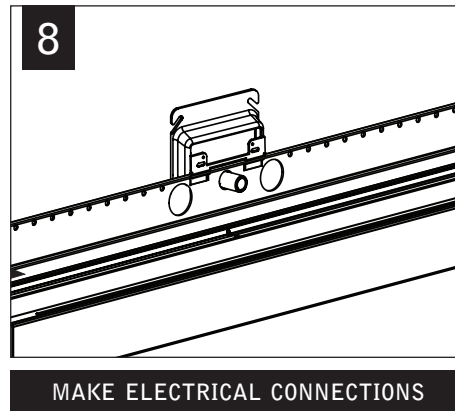
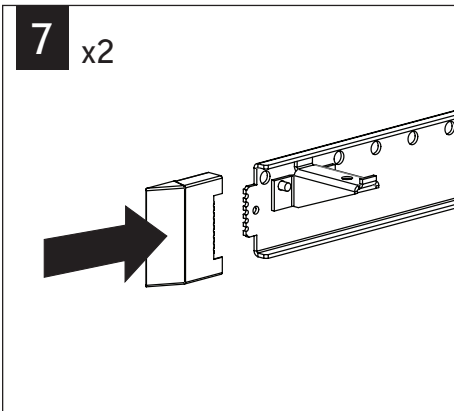
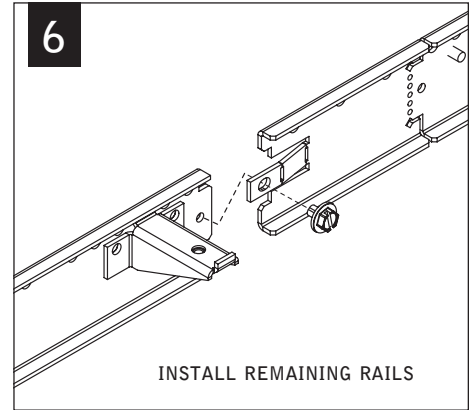
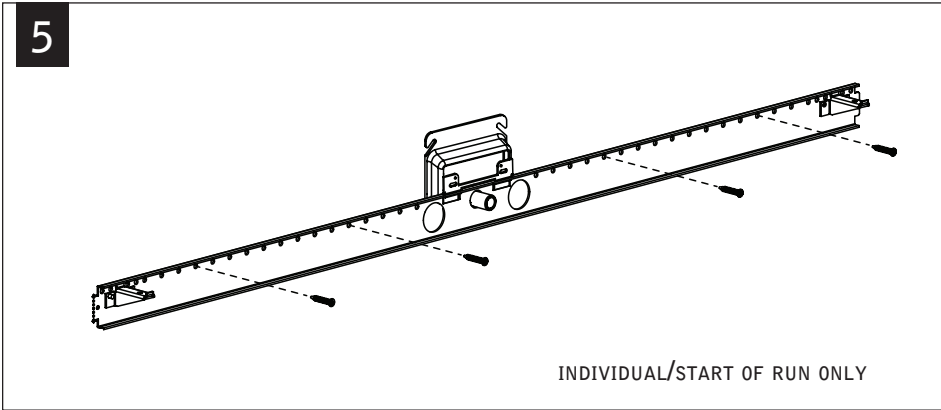
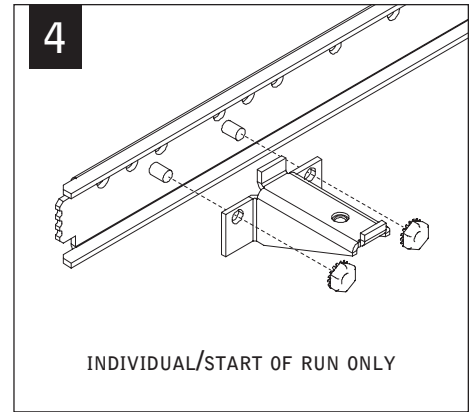
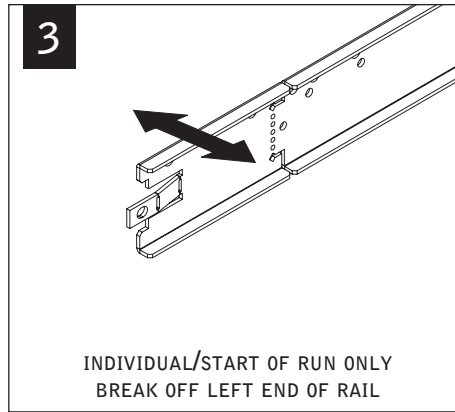
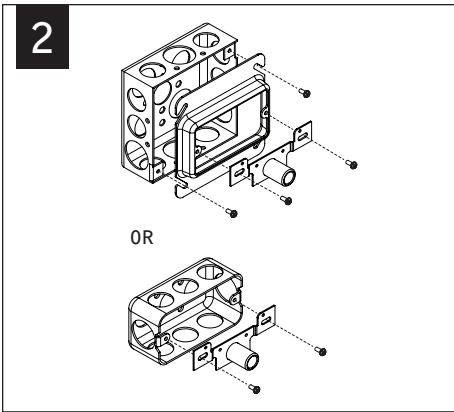
RAIL MOUNTS 9/16" ABOVE THE BOTTOM OF LUMINAIRE



8' HOUSING

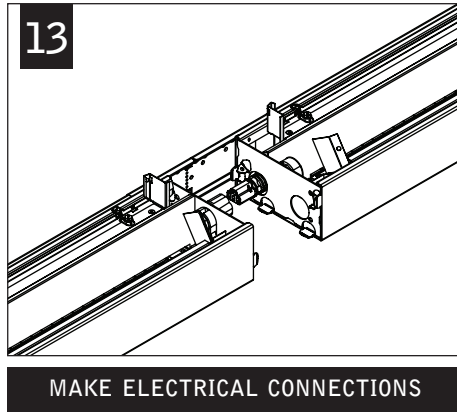
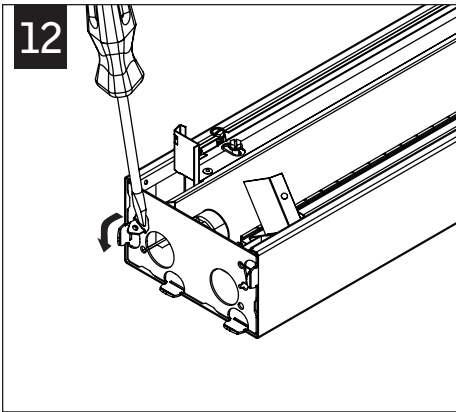


Luminaires must be installed by a qualified electrician (check with local and national codes for proper installation).
To prevent electrical shock, disconnect electrical supply before installation or servicing.

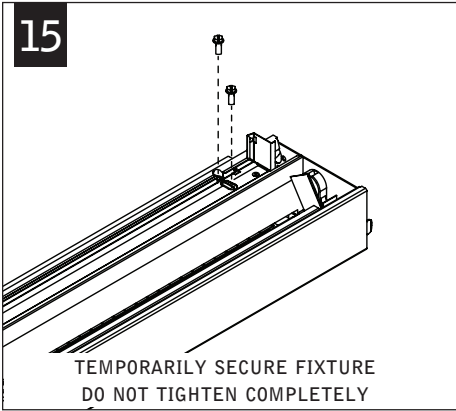
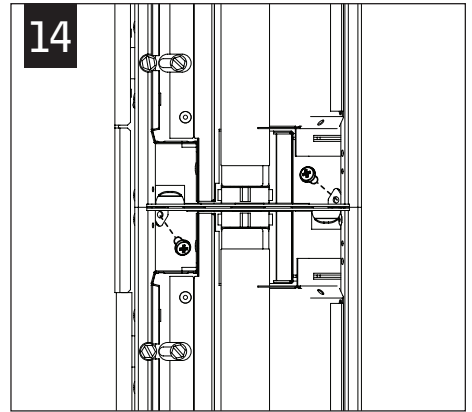


INDIVIDUAL HOUSINGS SKIP TO STEP 18

Luminaires must be installed by a qualified electrician (check with local and national codes for proper installation).
To prevent electrical shock, disconnect electrical supply before installation or servicing.

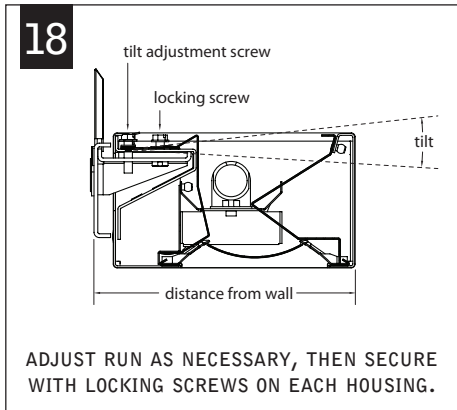
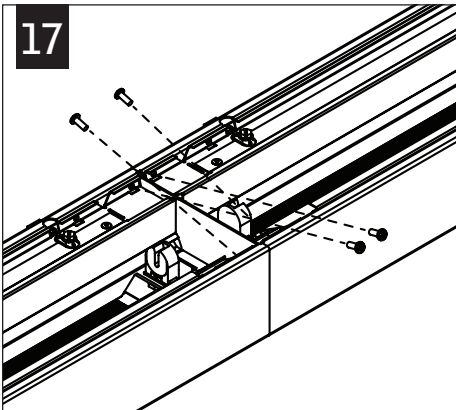
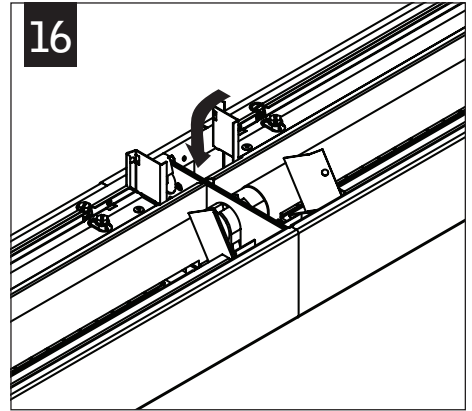


MAKE ELECTRICAL CONNECTIONS

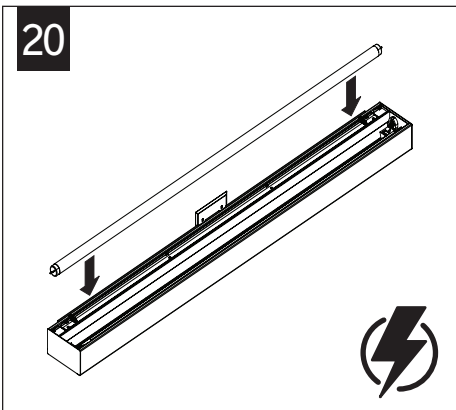
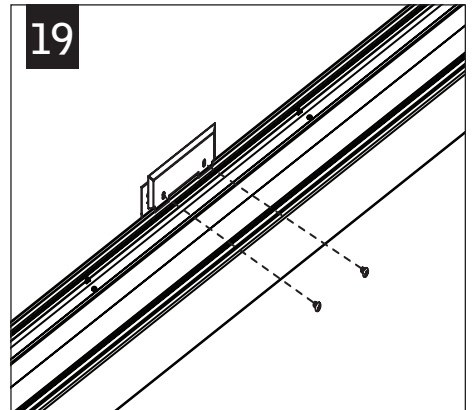


TEMPORARILY SECURE FIXTURE
DO NOT TIGHTEN COMPLETELY

REPEAT STEPS 10-15 UNTIL
RUN IS COMPLETE

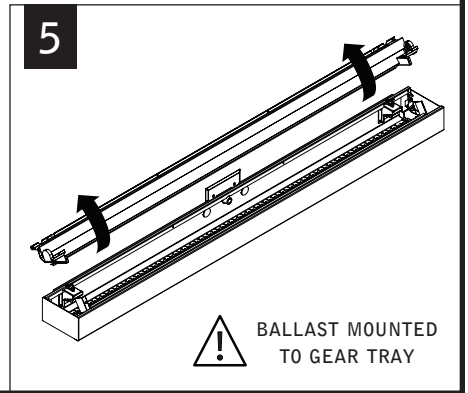
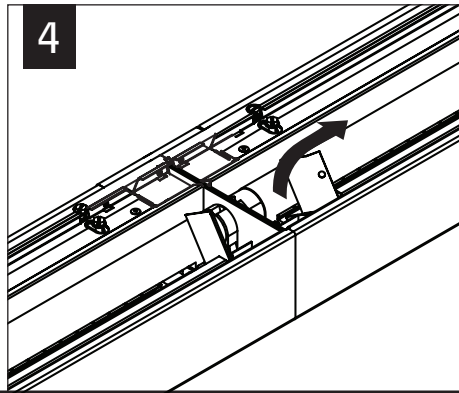
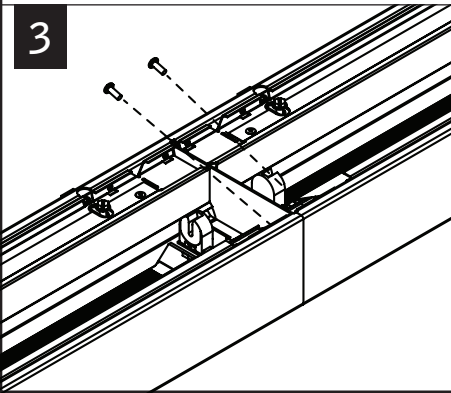
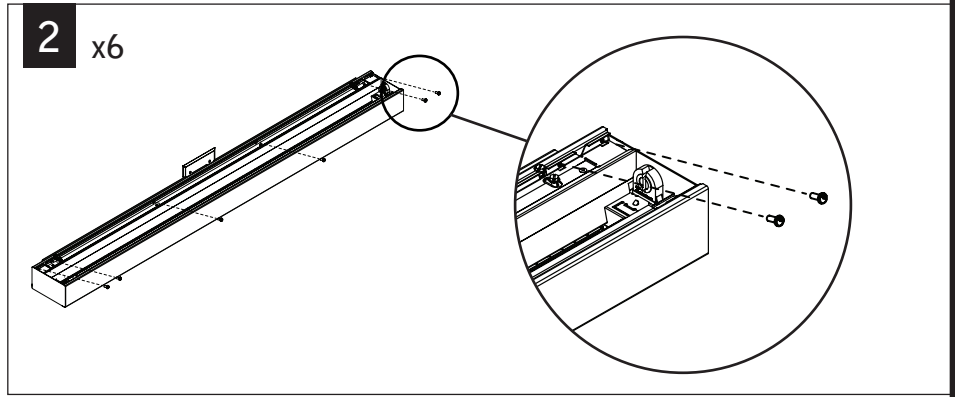
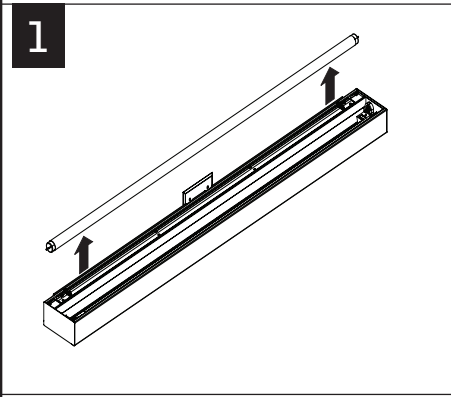


ADJUST RUN AS NECESSARY, THEN SECURE
WITH LOCKING SCREWS ON EACH HOUSING.



Luminaires must be installed by a qualified electrician (check with local and national codes for proper installation).
To prevent electrical shock, disconnect electrical supply before installation or servicing.

BALLAST SERVICE



Contractor is responsible for adequately reinforcing walls and/or ceilings to support luminaire weight. Focal Point, LLC accepts no responsibility for inadequately reinforced walls and/or ceilings. The information contained in this drawing is the sole property of Focal Point, LLC. Any reproduction in part or whole without the written permission of Focal Point, LLC is prohibited.