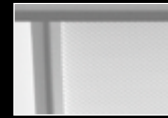


Equation[®] 2 2x4

LED



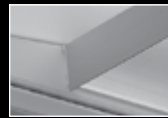
opal acrylic lens



MicroGlow lens

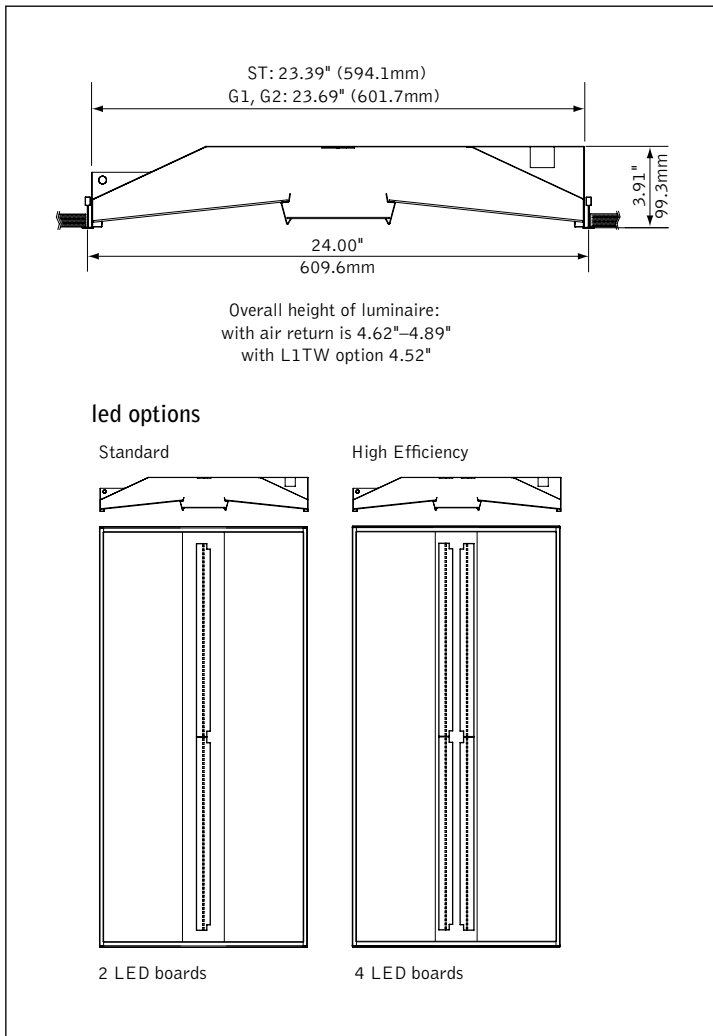


suspended or surface mount



air return

DIMENSIONAL DATA



FEATURES

Equation[®] 2 blends sleek aesthetics with uniform diffuse illumination.

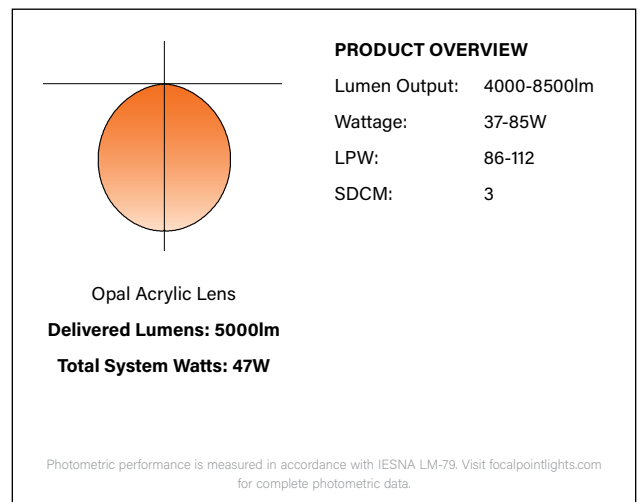
Center diffuser features MicroGlow prismatic lens for brightness control and visual comfort. Opal acrylic center lens may also be specified.

Tunable White: Supports human activity, well-being, and preferences with a light quality that evolves throughout the day.

Connected Solutions: Integrates with wired and wireless building lighting control systems.

PoE compatible: Integrates with Power over Ethernet lighting systems via standard, low-voltage wires.

PERFORMANCE



fixture:

project:

MOUNTING INFORMATION

grid

G1
15/16"

G2
9/16"

"ST" slot tee
9/16"

drywall frame kit

specify "F" Drywall Frame Kit for drywall ceiling conditions.

Use tie-wire or screws to secure frame kit.

Cut out dimensions:
2': Min: 24.25"
Max: 24.563"
4': Min: 48.25"
Max: 48.563"

STANDARD WHITE PERFORMANCE CHART

Lumen Output				Lumen Output			
		Tested System Watts	LPW			Tested System Watts	LPW
4000	4000L	33	119	6000	6000LH	47	123
	4000LH	31	126	6500	6500LH	51	122
4500	4500L	39	112	7000	7000LH	55	121
	4500LH	34	129	7500	7500LH	59	120
5000	5000L	45	106	8000	8000LH	63	119
	5000LH	37	129	8500	8500LH	67	118
5500	5500L	51	106				
	5500LH	43	124				

Based on 3500K, 80 CRI, Opal Acrylic Lens. Lumen multipliers: 90+ CRI = 0.87, MicroGlow Prismatic Lens = 0.94. Lumen output may vary +/- 5%. Actual wattage may vary +/- 5%.

STANDARD WHITE

	Luminaire Series	FEQ2	FEQ2
	Equation 2	FEQ2	
	Nominal Size	24	24
	2' x 4'	24	
	Shielding		
	Opal Acrylic Lens	AC	
	MicroGlow Prismatic Lens	MG	
	Lumen Output		
Standard Output	4000 Lumens	4000L	
	4500 Lumens	4500L	
	5000 Lumens	5000L	
	5500 Lumens	5500L	
High Efficiency	4000 Lumens	4000LH	
	4500 Lumens	4500LH	
	5000 Lumens	5000LH	
	5500 Lumens	5500LH	
	6000 Lumens	6000LH	
	6500 Lumens	6500LH	
	7000 Lumens	7000LH	
	7500 Lumens	7500LH	
	8000 Lumens	8000LH	
	8500 Lumens	8500LH	
	Color Temperature		
	2700K, 80+ CRI or 90+ CRI	27K or 927K	
	3000K, 80+ CRI or 90+ CRI	30K or 930K	
	3500K, 80+ CRI or 90+ CRI	35K or 935K	
	4000K, 80+ CRI or 90+ CRI	40K or 940K	
	Circuit		1C
	Single Circuit	1C	
	Voltage		
	UNV 120/277 Volt	UNV	
	347 Volt	347	
	<small>(Transformer required for all drivers except LD1 and WSPC. Not available with EM)</small>		
	Low Voltage	LV	
	Control System & Dimming Level		
	0-10V - 10% Dimming <small>(Not Right Light as standard, consult factory)</small>	LD1	
	0-10V - 1% Dimming	L11	
	Low Voltage, PoE compatible <small>(No driver. Not available with EM. LV Voltage only.)</small>	LVN	
	Lutron Hi-Lume EcoSystem (LDE1) - 1% Dimming	LH1	
	Step Dimming	SD5	
	Wattstopper PLUS: Connected Light Module <small>(Max. 5500 Lumens. 0-10V standard. Consult factory for DALI.)</small>	WSPC	
	Wattstopper PLUS: SensiLUM Wireless Sensor <small>(0-10V standard. Consult factory for DALI.)</small>	WSPS	
	Lutron Athena Wireless Node <small>(0-10V standard. Consult factory for DALI.)</small>	LAW1	
	Lutron Athena Wireless Sensor <small>(0-10V standard. Consult factory for DALI.)</small>	LAWS	
	Current NX Enabled - 1% Dimming <small>(Not available with CP.)</small>	NXE1	
	WaveLinx Pro - 1% Dimming	WLXP	
	Mounting		
	24" Aircraft Cable†	C24	
	48" Aircraft Cable†	C48	
	96" Aircraft Cable†	C96	
	Drywall Frame Kit <small>(Not available with WSPC, NL1 or NXE1. Cut out dimensions: Min: 24.25"/Max: 24.563" Min: 48.25"/Max: 48.563")</small>	F	
	15/16" Grid	G1	
	9/16" Grid	G2	
	Slot Tee	ST	
	Surface Mount <small>(Not available with WSPC, NL1 or NXE1. Consult factory for LAW1.)</small>	SM	
	Factory Options		
	Air Return <small>(Overall height with Air Return is 4.62"-4.89")</small>	AR	
	Chicago Plenum <small>(Not available with flex whip)</small>	CP	
	Emergency Battery with Integral Test Switch <small>(Cannot combine with 347V)</small>	EM	
	6' New York City Flex Whip (120V)†	FNY1	
	6' New York City Flex Whip (277V)†	FNY2	
	6' Flex Whip†	FW	
	Finish		WH
	Matte Satin White	WH	

†Aircraft cable mounting not available with Flex Whip options.



Options in orange qualify for the Quickship program. 5-day up to 100 pieces, 10-day up to 300 pieces. Emergency Battery is 10-day only. Refer to Quickship Guide for complete details.

MOUNTING INFORMATION

grid

G1 15/16"
G2 9/16"
"ST" slot tee 9/16"

drywall frame kit

specify "F" Drywall Frame Kit for drywall ceiling conditions.

Use tie-wire or screws to secure frame kit.

Cut out dimensions:
2': Min: 24.25"
Max: 24.563"
4': Min: 48.25"
Max: 48.563"

TUNABLE WHITE PERFORMANCE CHART

Lumen Output		Delivered Lumens	Tested System Watts	LPW
4000	4000L	3998	41	98
	4000LH	4002	40	101
4500	4500L	4497	46	98
	4500LH	4510	45	101
5000	5000L	5011	51	98
	5000LH	5015	50	101
5500	5500L	5517	61	91
	5500LH	5517	59	94
6000	6000LH	6061	64	95
6500	6500LH	6512	67	98
7000	7000LH	7006	71	98
7500	7500LH	7519	77	98
8000	8000LH	8006	82	98
8500	8500LH	8512	86	99

Based on 2700K, 80 CRI, Opal Acrylic Lens. Lumen output may vary +/- 5%. Actual wattage may vary +/- 5%.

Lumen Multipliers

CRI	Multiplier
80+	1.00
90+	0.89

Shielding	Multiplier
AC	1.00
MG	0.94

Wattage Multipliers

CCT	Multiplier
2700K	1.00
3000K	0.92
3500K	0.88
4000K	0.86
5000K	0.85
5700K	0.87
6500K	0.90



TUNABLE WHITE

Luminaire Series

Equation 2 FEQ2

Nominal Size

2' x 4' 24

Shielding

Opal Acrylic Lens AC
MicroGlow Prismatic Lens MG

Lumen Output

Standard Output	4000 Lumens	4000L
	4500 Lumens	4500L
	5000 Lumens	5000L
	5500 Lumens	5500L
High Efficiency	4000 Lumens	4000LH
	4500 Lumens	4500LH
	5000 Lumens	5000LH
	5500 Lumens	5500LH
	6000 Lumens	6000LH
	6500 Lumens	6500LH
	7000 Lumens	7000LH
	7500 Lumens	7500LH
8000 Lumens	8000LH	
8500 Lumens	8500LH	

Color Temperature

Tunable White: 2700-6500K, 80+ CRI 2765T
Tunable White: 2700-6500K, 90+ CRI 92765T

Circuit

Single Circuit 1C

Voltage

UNV 120/277 Volt UNV

Control System & Dimming Level

0-10V - 1% Dimming L1TW
(Not available with surface or cable mount. Overall luminaire height increases to 4.52")

DALI - 1% Dimming

D1TW
(Default driver offers DT6 control. It requires two addresses, one for intensity & one for CCT tuning. Consult factory for DT8. Extended lead time applies.)

Mounting

24" Aircraft Cable (Not available with L1TW)[†] C24
48" Aircraft Cable (Not available with L1TW)[†] C48
96" Aircraft Cable (Not available with L1TW)[†] C96

Drywall Frame Kit

F
(Cut out dimensions: Min: 24.25"/Max: 24.563"
Min: 48.25"/Max: 48.563")

15/16" Grid G1

9/16" Grid G2

Slot Tee ST

Surface Mount (Not available with L1TW) SM

Factory Options

Air Return AR

(Overall height with Air Return is 4.62"-4.89")

Chicago Plenum CP

(Not available with flex whip)

Emergency Battery with Integral Test Switch EM

6' New York City Flex Whip (120V)[†] FNY1

6' New York City Flex Whip (277V)[†] FNY2

6' Flex Whip[†] FW

Finish

Matte Satin White WH

[†]Aircraft cable mounting not available with Flex Whip options.

SPECIFICATIONS

LED System

Proprietary linear LED module incorporates premium LEDs on a robust platform to achieve excellent thermal management. LEDs are placed to promote a uniform appearance. Available in 2700K, 3000K, 3500K, 4000K or Tunable White (2700K-6500K), with CRI>80 or CRI>90, 3SDCM. 3500K and 4000K with CRI>90 have a cyanosis observation index (COI) of 3.3 or less. Contact factory for additional color temperature and CRI options. 0-10V dimming driver standard. LED modules and drivers are replaceable from below.

Construction

One piece 24 Ga. steel reflector and housing. Bottom access 24 Ga. steel driver compartment. Positional brackets supplied as standard. Standard weight: 27.3 lbs. Surface-mount/suspended weight: 35.5 lbs.

Optic

24 Ga. steel reflectors finished in matte satin white powder coat. .080" thick frosted white acrylic diffusers. Center shielding options include .080" thick opal acrylic lens or MicroGlow prismatic lens with optical filter overlay.

Electrical

Standard 120-277V driver includes 0-10V analog dimming. Power factor > .9. Optional Lutron EcoSystem or Step-dimming drivers available. PoE compatible: Integrates with Power over Ethernet lighting systems via standard, low-voltage wires.

Emergency

Emergency battery output—10 watts for 90 minutes. Emergency Circuit with Connected Solutions (WSPC, WSPS, LAW1, LAWS, NLT1, NXE1, WLXP) requires a UL924 compliant device, consult factory.

Labels

UL and cUL listed. Suitable for Dry or Damp Locations, indoor use only.

Finish

Polyester powder coat applied over a multi-stage pre-treatment.

Lumen Maintenance

Reported: L70 at >61,000 hours	Calculated: L70 at 190,000 hours
L80 at >61,000 hours	L80 at 115,000 hours

(Derived from EPA TM-21 calculator. Based on typical conditions, consult factory for additional data.)

Reliability

At Focal Point, our products are designed to stand the test of time. Each luminaire is engineered using superior components, manufactured with the utmost care and rigorously tested. Contact us for reliability data.

Warranty

LED system rated for operation in ambient environments up to 25°C. 5-year limited warranty.

Declare.

**Equation 2
Focal Point, LLC**

Final Assembly: Chicago, Illinois, USA
Life Expectancy: 10 Year(s)
End of Life Options: Recyclable (55%), Landfill (45%)

Ingredients:

UNS G10080 Steel Alloy; Polymethyl methacrylate; Small Electrical Components - RoHS Compliant¹; Copper; **Polyvinyl chloride**; Poly(imino(1,6-dioxo-1,6-hexanediy)imino-1,6-hexanediy); Methyl methacrylate; **Benzene, ethenyl-, homopolymer, brominated; Bis(pentabromophenyl) ether (decabromodiphenyl ether) (DecaBDE)**; Steel manufacture, chemicals

¹LBC Temp Exception RL-002 - Small Electrical Components

Living Building Challenge Criteria:

I-13 Red List:

<input type="checkbox"/> LBC Red List Free	% Disclosed: 100% at 100ppm
<input type="checkbox"/> LBC Red List Approved	VOC Content: Not Applicable
<input checked="" type="checkbox"/> Declared	

I-10 Interior Performance: Not Applicable
I-14 Responsible Sourcing: Not Applicable

FPL-0004
EXP. 01 FEB 2027
Original Issue Date: 2024

MANUFACTURER RESPONSIBLE FOR LABEL ACCURACY
INTERNATIONAL LIVING FUTURE INSTITUTE™ living-future.org/declare

Focal Point provides broad flexibility through compatibility with a wide range of indoor lighting control systems. A variety of sensors, nodes, controllers, and drivers can be specified to scale the system and meet the needs of each application across both wired and wireless networks.

Features such as daylight harvesting, occupancy sensing, dimming, and switching help save energy, reduce costs, and enhance occupant comfort. All Connected Solutions luminaires require a compatible building control system.

Controls systems supplied by others. For performance data and additional control system details, please visit the connected solutions manufacturers websites.

Connected Solution	Ordering Code	Model #	Protocol	Compatible Networks (Not all compatible networks may be listed.)	Description	Occupancy & Daylight	Communication to Luminaire	Drivers (Primary drivers are listed in bold . To specify a particular driver please consult factory.)	Driver Type
WATTSTOPPER [®]									
	WSPC	EN-ZBHA-CLM-DIM	ZigBee	Wattstopper PLUS	Node	Enabled [†]	Wireless	Advance by Signify	0-10V standard, consult factory for DALI
	WSPS	EN-CLM-PIR-DD-ZB	ZigBee	Wattstopper PLUS	Sensor	Integrated [*]	Wireless	Advance by Signify	0-10V standard, consult factory for DALI
	WLXP	OEM-WAA	WaveLinx Wireless	WaveLinx Pro Trellix	Sensor	Integrated [*]	Wireless (WaveLinx Pro Wireless Area Controller)	Advance by Signify	0-10V
	NXE1	NXFM2-LV	NX	NX Distributed Intelligence	Controller	Enabled [†]	Wired	Optotronic by eldoLED	0-10V
	LAW1	A-WN-D01-RF-WH	Clear Connect	Athena Wireless	Node	Enabled [†]	Wireless	Advance by Signify	0-10V standard, consult factory for DALI
	LAWS	A-WN-D01-OCC-WH	Clear Connect	Athena Wireless	Sensor	Integrated [*]	Wireless	Advance by Signify	0-10V standard, consult factory for DALI

[†]Enabled: Luminaire supplied with a node/controller. Sensor to be provided by others.

^{*}Integrated: Luminaire supplied with an installed sensor.