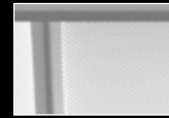


# Equation<sup>®</sup> 2 2x2

LED



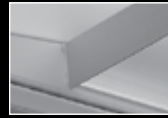
opal acrylic lens



MicroGlow lens

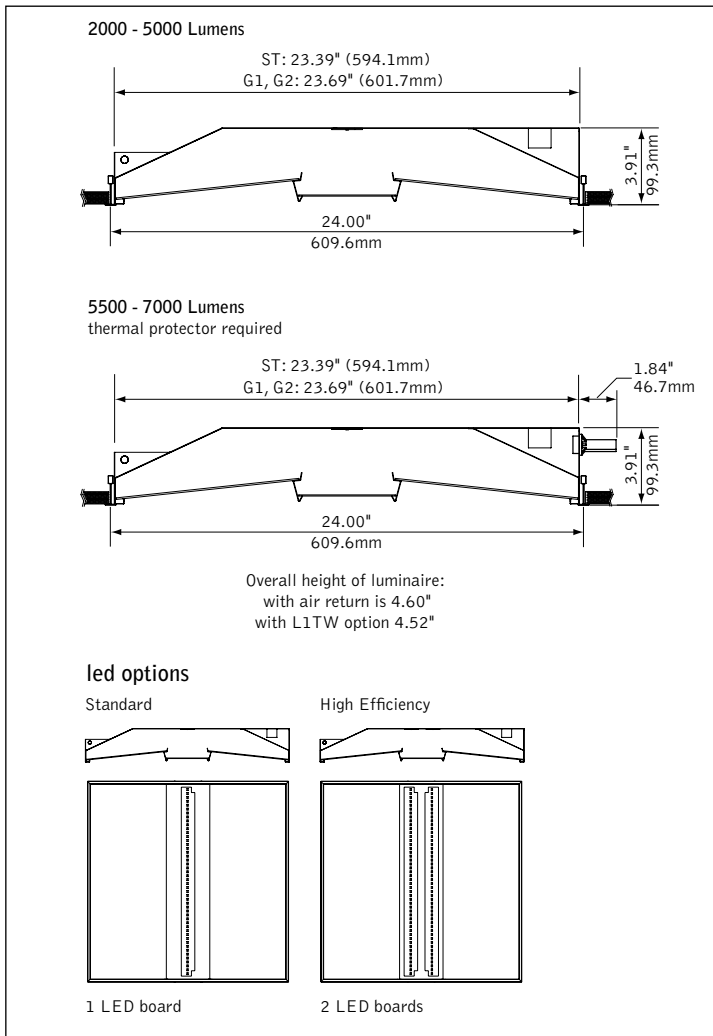


suspended or surface mount



air return

## DIMENSIONAL DATA



## FEATURES

Equation<sup>®</sup> 2 blends sleek aesthetics with uniform diffuse illumination.

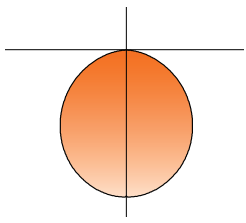
Center diffuser features MicroGlow prismatic lens for brightness control and visual comfort. Opal acrylic center lens may also be specified.

Tunable White: Supports human activity, well-being, and preferences with a light quality that evolves throughout the day.

Connected Solutions: Integrates with wired and wireless building lighting control systems.

PoE compatible: Integrates with Power over Ethernet lighting systems via standard, low-voltage wires.

## PERFORMANCE



**PRODUCT OVERVIEW**

Lumen Output: 2000-7000lm

Wattage: 20-79W

LPW: 89-109

SDCM: 3

Opal Acrylic Lens

**Delivered Lumens: 3500lm**

**Total System Watts: 35W**

Photometric performance is measured in accordance with IESNA LM-79. Visit focalpointlights.com for complete photometric data.

fixture:

project:

**MOUNTING INFORMATION**

**grid**

**drywall frame kit**  
specify "F" Drywall Frame Kit for drywall ceiling conditions.

Use tie-wire or screws to secure frame kit.

Cut out dimensions:  
2': Min: 24.25"  
Max: 24.563"

**STANDARD WHITE PERFORMANCE CHART**

Lumen Output				Lumen Output			
Tested System Watts		LPW	Tested System Watts		LPW		
2000	2000L	18	106	4000	4000LH	37	105
2500	2500L	24	100	4500	4500LH	43	103
	2500LH	23	105	5000	5000LH	49	100
3000	3000L	30	97	5500	5500LH	56	94
	3000LH	27	107	6000	6000LH	63	95
3500	3500L	36	95	6500	6500LH	71	92
	3500LH	32	107	7000	7000LH	79	89

Based on 3500K, 80 CRI, Opal Acrylic Lens. Lumen multipliers: 90+ CRI = 0.87, MicroGlow Prismatic Lens = 0.94. Lumen output may vary +/- 5%. Actual wattage may vary +/- 5%.

**STANDARD WHITE Luminaire Series**

		FEQ2
<b>Equation 2</b>		FEQ2
<b>Nominal Size</b>		22
2' x 2'		22
<b>Shielding</b>		
Opal Acrylic Lens		AC
MicroGlow Prismatic Lens		MG
<b>Lumen Output</b>		
Standard Output	2000 Lumens	2000L
	2500 Lumens	2500L
	3000 Lumens	3000L
	3500 Lumens	3500L
High Efficiency	2500 Lumens	2500LH
	3000 Lumens	3000LH
	3500 Lumens	3500LH
	4000 Lumens	4000LH
	4500 Lumens	4500LH
	5000 Lumens	5000LH
	5500 Lumens*	5500LH
	6000 Lumens*	6000LH
	6500 Lumens*	6500LH
	7000 Lumens*	7000LH
(*Grid, Slot Tee Only)		
<b>Color Temperature</b>		
2700K, 80+ CRI or 90+ CRI		27K or 927K
3000K, 80+ CRI or 90+ CRI		30K or 930K
3500K, 80+ CRI or 90+ CRI		35K or 935K
4000K, 80+ CRI or 90+ CRI		40K or 940K
<b>Circuit</b>		1C
Single Circuit		
<b>Voltage</b>		
UNV 120/277 Volt		UNV
(Not available with 5500LH, 6000LH, 6500LH & 7000LH)		
120 Volt		120
277 Volt		277
347 Volt		347
(Transformer required for all drivers except LD1 and WSPC. Not available with EM.)		
<b>Low Voltage</b>		LV
<b>Control System &amp; Dimming Level</b>		
0-10V - 10% Dimming		LD1
(Not Right Light as standard, consult factory)		
0-10V - 1% Dimming		L11
Low Voltage, PoE compatible		LVN
(No driver. Not available with EM, LV Voltage only)		
Lutron Hi-Lume EcoSystem (LDE1) - 1% Dimming		LH1
DALI - 1% Dimming		D11
Step Dimming		SD5
Wattstopper PLUS*		WSPC
Connected Light Module		
(0-10V standard. Consult factory for DALI.)		
Wattstopper PLUS*		WSPS
SensiLUM Wireless Sensor		
(0-10V standard. Consult factory for DALI.)		
Lutron Athena Wireless Node*		LAW1
(0-10V standard. Consult factory for DALI.)		
Lutron Athena Wireless Sensor*		LAWS
(0-10V standard. Consult factory for DALI.)		
Acuity nLight - 1% Dimming*		NLT1
(Not available with CP)		
Current NX Enabled - 1% Dimming*		NXE1
(Not available with CP)		
WaveLinX Pro - 1% Dimming*		WLXP
*Not available with EM.		
<b>Mounting</b>		
24" Aircraft Cable†		C24
48" Aircraft Cable†		C48
96" Aircraft Cable†		C96
Drywall Frame Kit		F
(Not available with WSPC, NLT1 or NXE1.)		
(Cut out dimensions: Min: 24.25"/Max: 24.563")		
15/16" Grid		G1
9/16" Grid		G2
Slot Tee		ST
Surface Mount		SM
(Not available with WSPC, NLT1 or NXE1. Consult factory for LAW1.)		
<b>Factory Options</b>		
Air Return		AR
(Overall height with Air Return is 4.62"-4.89")		
Chicago Plenum		CP
(Not available with flex whip)		
Emergency Battery		EM
with Integral Test Switch		
(Cannot combine with 347V)		
Not available with 5500LH, 6000LH, 6500LH & 7000LH		
6' New York City Flex Whip (120V)†		FNY1
6' New York City Flex Whip (277V)†		FNY2
6' Flex Whip†		FW
<b>Finish</b>		
Matte Satin White		WH

†Aircraft cable mounting not available with Flex Whip options.

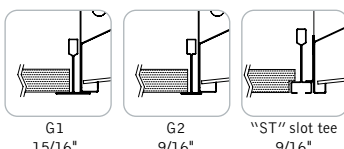


fixture:

project:

**MOUNTING INFORMATION**

**grid**

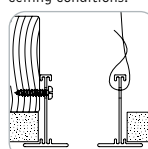


G1  
15/16"

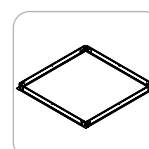
G2  
9/16"

"ST" slot tee  
9/16"

**drywall frame kit**  
specify "F" Drywall Frame Kit for drywall ceiling conditions.



Use tie-wire or screws to secure frame kit.



Cut out dimensions:  
2': Min: 24.25"  
Max: 24.563"

**TUNABLE WHITE PERFORMANCE CHART**

Lumen Output		Delivered Lumens	Tested System Watts	LPW
2000	2000L	2001	24	82
2500	2500L	2508	30	83
	2500LH	2510	29	85
3000	3000L	2999	37	81
	3000LH	3000	34	89
3500	3500L	3511	43	81
	3500LH	3503	39	89
4000	4000LH	3999	45	89
4500	4500LH	4508	51	89
5000	5000LH	5008	61	83
5500	5500LH	5501	68	81
6000	6000LH	6003	74	81
6500	6500LH	6516	81	81

Based on 2700K, 80 CRI, Opal Acrylic Lens. Lumen output may vary +/- 5%. Actual wattage may vary +/- 5%.

**Lumen Multipliers**

CRI	Multiplier
80+	1.00
90+	0.89
Shielding	Multiplier
AC	1.00
MG	0.94

**Wattage Multipliers**

CCT	Multiplier
2700K	1.00
3000K	0.92
3500K	0.88
4000K	0.86
5000K	0.85
5700K	0.87
6500K	0.90



**TUNABLE WHITE Luminaire Series**

Equation 2	FEQ2	<b>FEQ2</b>
<b>Nominal Size</b>		<b>22</b>
2' x 2'	22	
<b>Shielding</b>		
Opal Acrylic Lens	AC	
MicroGlow Prismatic Lens	MG	
<b>Lumen Output</b>		
Standard		
2000 Lumens	2000L	
2500 Lumens	2500L	
3000 Lumens	3000L	
3500 Lumens	3500L	
High Efficiency		
2500 Lumens	2500LH	
3000 Lumens	3000LH	
3500 Lumens	3500LH	
4000 Lumens	4000LH	
4500 Lumens	4500LH	
5000 Lumens	5000LH	
5500 Lumens*	5500LH	
6000 Lumens*	6000LH	
6500 Lumens*	6500LH	
(*Grid, Slot Tee Only)		
<b>Color Temperature</b>		
Tunable White: 2700-6500K, 80+ CRI	2765T	
Tunable White: 2700-6500K, 90+ CRI	92765T	
<b>Circuit</b>		<b>1C</b>
Single Circuit	1C	
<b>Voltage</b>		
UNV 120/277 Volt (5000 Lumens max.)	UNV	
120 Volt	120	
277 Volt	277	
<b>Control System &amp; Dimming Level</b>		
0-10V - 1% Dimming (Not available with surface or cable mount. Overall luminaire height increases to 4.52")	L1TW	
DALI - 1% Dimming (Default driver offers DT6 control. It requires two addresses, one for intensity & one for CCT tuning. Consult factory for DT8. Extended lead time applies.)	D1TW	
<b>Mounting</b>		
24" Aircraft Cable (Not available with L1TW)†	C24	
48" Aircraft Cable (Not available with L1TW)†	C48	
96" Aircraft Cable (Not available with L1TW)†	C96	
Drywall Frame Kit (Cut out dimensions: Min: 24.25"/Max: 24.563")	F	
15/16" Grid	G1	
9/16" Grid	G2	
Slot Tee	ST	
Surface Mount (Not available with L1TW)	SM	
<b>Factory Options</b>		
Air Return (Overall height with Air Return is 4.62"-4.89")	AR	
Chicago Plenum (Not available with flex whip)	CP	
Emergency Battery with Integral Test Switch (4500 Lumen max.)	EM	
6' New York City Flex Whip (120V)†	FNY1	
6' New York City Flex Whip (277V)†	FNY2	
6' Flex Whip†	FW	
<b>Finish</b>		<b>WH</b>
Matte Satin White	WH	

†Aircraft cable mounting not available with Flex Whip options.

## SPECIFICATIONS

### LED System

Proprietary linear LED module incorporates premium LEDs on a robust platform to achieve excellent thermal management. LEDs are placed to promote a uniform appearance. Available in 2700K, 3000K, 3500K, 4000K or Tunable White (2700K-6500K), with CRI>80 or CRI>90, 3SDCM. 3500K and 4000K with CRI>90 have a cyanosis observation index (COI) of 3.3 or less. Contact factory for additional color temperature and CRI options. 0-10V dimming driver standard. LED modules and drivers are replaceable from below.

### Construction

One-piece 24 Ga. steel reflector and housing. Bottom access 24 Ga. steel driver compartment. Positional brackets supplied as standard. Standard weight: 15.4 lbs. Surface-mount/suspended weight: 19 lbs.

### Optic

24 Ga. steel reflectors finished in matte satin white powder coat. .080" thick frosted white acrylic diffusers. Center shielding options include .080" thick opal acrylic lens or MicroGlow prismatic lens with optical filter overlay.

### Electrical

Standard 120-277V driver includes 0-10V analog dimming. Power factor > .9. Optional DALI, Lutron EcoSystem or Step-dimming drivers available. PoE compatible: Integrates with Power over Ethernet lighting systems via standard, low-voltage wires.

### Emergency

Emergency battery output—10 watts for 90 minutes. Emergency Circuit with Connected Solutions (WSPC, WSPS, LAW1, LAWS, NLT1, NXE1, WLXP) requires a UL924 compliant device, consult factory.

### Labels

UL and cUL listed. Suitable for Dry or Damp Locations, indoor use only.

### Finish

Polyester powder coat applied over a multi-stage pre-treatment.

### Lumen Maintenance

Reported: L70 at >61,000 hours	Calculated: L70 at 190,000 hours
L80 at >61,000 hours	L80 at 115,000 hours

(Derived from EPA TM-21 calculator. Based on typical conditions, consult factory for additional data.)

### Reliability

At Focal Point, our products are designed to stand the test of time. Each luminaire is engineered using superior components, manufactured with the utmost care and rigorously tested. Contact us for reliability data.

### Warranty

LED system rated for operation in ambient environments up to 25°C. 5-year limited warranty.

# Declare.

## Equation 2 Focal Point, LLC

**Final Assembly:** Chicago, Illinois, USA  
**Life Expectancy:** 10 Year(s)  
**End of Life Options:** Recyclable (55%), Landfill (45%)

**Ingredients:**

UNS G10080 Steel Alloy; Polymethyl methacrylate; Small Electrical Components - RoHS Compliant<sup>1</sup>; Copper; Polyvinyl chloride; Poly(imino(1,6-dioxo-1,6-hexanediy)imino-1,6-hexanediy); Methyl methacrylate; Benzene, ethenyl-, homopolymer, brominated; Bis(pentabromophenyl) ether (decabromodiphenyl ether) (DecaBDE); Steel manufacture, chemicals

<sup>1</sup>LBC Temp Exception RL-002 - Small Electrical Components

**Living Building Challenge Criteria:**

**I-13 Red List:**

<input type="checkbox"/> LBC Red List Free	% Disclosed: 100% at 100ppm
<input type="checkbox"/> LBC Red List Approved	VOC Content: Not Applicable
<input checked="" type="checkbox"/> Declared	

**I-10 Interior Performance:** Not Applicable  
**I-14 Responsible Sourcing:** Not Applicable

FPL-0004  
EXP. 01 FEB 2027  
Original Issue Date: 2024

MANUFACTURER RESPONSIBLE FOR LABEL ACCURACY  
INTERNATIONAL LIVING FUTURE INSTITUTE™ [living-future.org/declare](http://living-future.org/declare)

Focal Point provides broad flexibility through compatibility with a wide range of indoor lighting control systems. A variety of sensors, nodes, controllers, and drivers can be specified to scale the system and meet the needs of each application across both wired and wireless networks.

Features such as daylight harvesting, occupancy sensing, dimming, and switching help save energy, reduce costs, and enhance occupant comfort. All Connected Solutions luminaires require a compatible building control system.

Controls systems supplied by others. For performance data and additional control system details, please visit the connected solutions manufacturers websites.

Connected Solution	Ordering Code	Model #	Protocol	Compatible Networks (Not all compatible networks may be listed.)	Description	Occupancy & Daylight	Communication to Luminaire	Drivers (Primary drivers are listed in <b>bold</b> . To specify a particular driver please consult factory.)	Driver Type
WATTSTOPPER <sup>®</sup>									
	WSPC	EN-ZBHA-CLM-DIM	ZigBee	Wattstopper PLUS	Node	Enabled <sup>†</sup>	Wireless	<b>Advance by Signify</b>	0-10V standard, consult factory for DALI
	WSPS	EN-CLM-PIR-DD-ZB	ZigBee	Wattstopper PLUS	Sensor	Integrated <sup>*</sup>	Wireless	<b>Advance by Signify</b>	0-10V standard, consult factory for DALI
	WLXP	OEM-WAA	WaveLinx Wireless	WaveLinx Pro Trellix	Sensor	Integrated <sup>*</sup>	Wireless (WaveLinx Pro Wireless Area Controller)	<b>Advance by Signify</b>	0-10V
	NXE1	NXFM2-LV	NX	NX Distributed Intelligence	Controller	Enabled <sup>†</sup>	Wired	<b>Optotronic by eldoLED</b>	0-10V
	LAW1	A-WN-D01-RF-WH	Clear Connect	Athena Wireless	Node	Enabled <sup>†</sup>	Wireless	<b>Advance by Signify</b>	0-10V standard, consult factory for DALI
	LAWS	A-WN-D01-OCC-WH	Clear Connect	Athena Wireless	Sensor	Integrated <sup>*</sup>	Wireless	<b>Advance by Signify</b>	0-10V standard, consult factory for DALI
	NLT1	nEPS-60-IO	nLight	nLight	Controller	Enabled <sup>†</sup>	Wired	<b>eldoLED ECOdrive, eldoLED SOLOdrive</b>	0-10V

<sup>†</sup>Enabled: Luminaire supplied with a node/controller. Sensor to be provided by others.

<sup>\*</sup>Integrated: Luminaire supplied with an installed sensor.