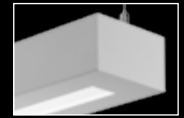


acrylic diffuser

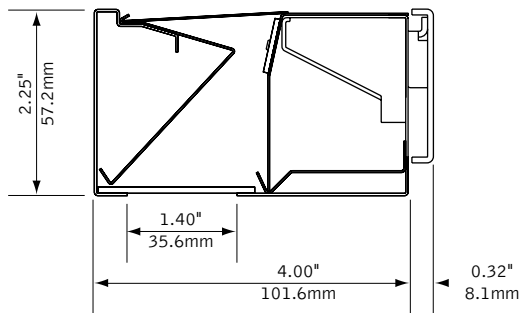


microglow lens

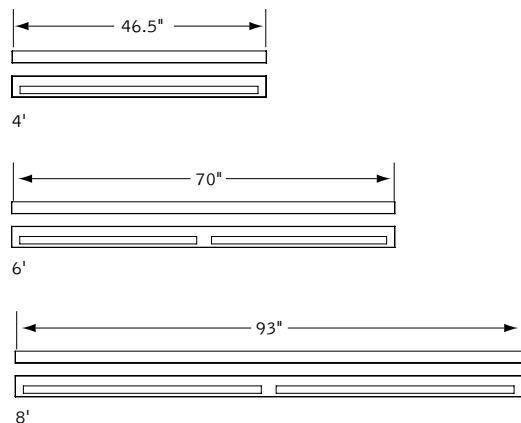


suspended companion

DIMENSIONAL DATA



fixture information



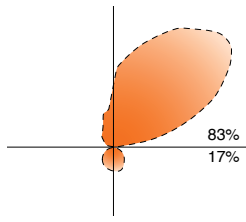
FEATURES

Miniature wall mount direct/indirect LED luminaire.

Features Gradient Optic which softens cut-off line on surrounding walls and other vertical structures. Beam Smoothing Diffuser provides additional softening to the beam.

MicroGlow lens offers cutoff & brightness control to support comfortable environments.

PERFORMANCE



PRODUCT OVERVIEW

Lumen Output: 2500-3000lm

Wattage: 26-37W

LPW: 93-98

SDCM: 3

4' unit with Acrylic Diffuser
Nominal Output: 625 lm/ft

Delivered Lumens: 2500lm

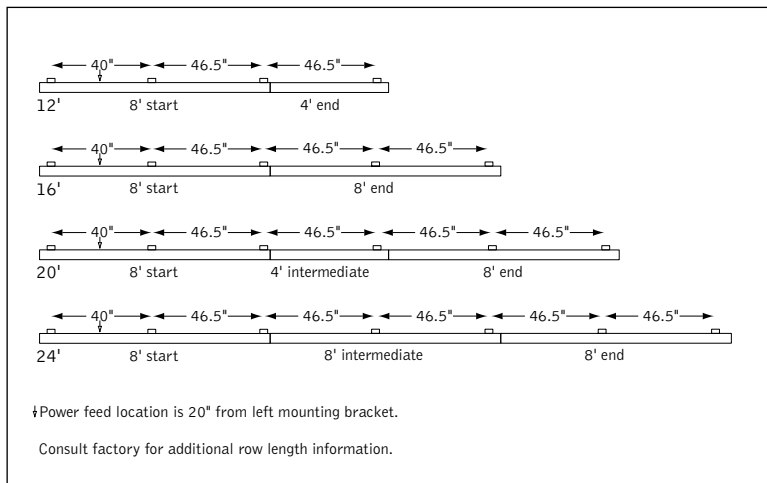
Total System Watts: 26W

Photometric performance is measured in accordance with IESNA LM-79.
Visit focalpointlights.com for complete photometric data.

fixture:

project:

DETAILS



SPECIFICATIONS

LED Systems

Linear LED module incorporates premium LEDs on a robust platform to achieve excellent thermal management. Available in 3000K, 3500K, 4000K with CRI>80, 3SDCM. LED boards and drivers are replaceable.

Construction

One-piece 22 Ga. steel housing. Steel end caps attach flush to housing. For row installation, internal brackets form hairline joint. All luminaires are provided with single-point suspension mounted on 48", 72" or 96" centers. 4' unit weight: 8lbs. 6' unit weight: 13lbs. 8' unit weight: 19lbs.

Optic

Reflector fabricated of low iridescent, semi specular premium grade aluminum. 0.125" thick acrylic lens. 0.42" smooth acrylic Beam Smoothing Diffuser (dust cover) standard.

Electrical

Luminaires are pre-wired with factory installed branch circuit wiring and over-molded quick connects. Standard 120-277V constant current driver includes 0-10V analog dimming. Power factor > .9.

Emergency Battery

Emergency output—12W for 90 minutes for all available models.

Labels

UL and cUL listed. Suitable for Dry or Damp Locations, indoor use only.

Finish

Polyester powder coat applied over a multi-stage pre-treatment.

Lumen Maintenance

Reported: L70 at 60,000 hours Calculated: L70 at 130,000 hours
 Derived from EPA TM-21 calculator. Based on typical conditions, consult factory for additional data.

Reliability

At Focal Point, our products are designed to stand the test of time. Each luminaire is engineered using superior components, manufactured with the utmost care and rigorously tested. Contact us for reliability data.

Warranty

LED system rated for operation in ambient environments up to 25°C. 5-year limited warranty.

4' PERFORMANCE CHART

Shielding	Lumens per Foot	Delivered Lumens	System Watts	LPW
Acrylic Diffuser / MicroGlow Lens	625LF	2500	26	98
	750LF	3000	30	97
	875LF	3500	37	93

Based on 3500K. Color Temperature multipliers: 3000K - 1.035, 4000K - 0.975. *Lumen output may vary +/- 5%. Actual wattage may vary +/- 5%

ORDERING

Fixture Series	Dart LED	FDALW	<u>FDALW</u>
Shielding	Acrylic Diffuser	AC	_____
	MicroGlow Prismatic Lens	MG	_____
Lumen Output	625 Lumens per foot	625LF	_____
	750 Lumens per foot	750LF	_____
	875 Lumens per foot	875LF	_____
Color Temperature	3000K	30K	_____
	3500K	35K	_____
	4000K	40K	_____
Circuits	Single Circuit	1C	<u>1C</u>
Voltage	120/277 UNV Volt	UNV	_____
	347 Volt	347	_____
	(LD1 only)		
Control System & Dimming Level	0-10V - 1% Dimming	L11	_____
	0-10V - 10% Dimming	LD1	_____
	Lutron Hi-Lume EcoSystem (LDE1) - 1% Dimming	LH1	_____
	Lutron 5-Series EcoSystem (LDE5) - 5% Dimming	LU5	_____
	DALI - 1% Dimming	D11	_____
	DALI - 10% Dimming	DD1	_____
	Step Dimming	SD5	_____
	(Not available with 625LF)		
Mounting	Wall Mount	WM	<u>WM</u>
Factory Options	Emergency Circuit	EC	_____
	(Not available in 6' units)		
	Emergency Battery	EM	_____
	(Not available in 6' units)		
	(Sensor options available—consult factory)		
Finish	Titanium Silver	TS	_____
	Matte Satin White	WH	_____
Fixture Run Length	4'	4'	_____
	6'	6'	_____
	(Can not be combined with 4' & 8' lengths to create longer run length)		
	8'	8'	_____
	12' (8'+4')	12'	_____
	16' (8'+8')	16'	_____
	20' (8'+4'+8')	20'	_____
	24' (8'+8'+8')	24'	_____
	(Individual units may not be field modified for continuous row mount)		