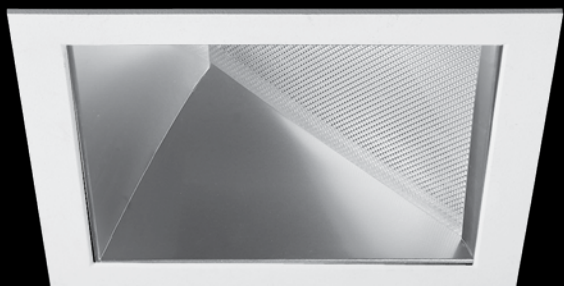


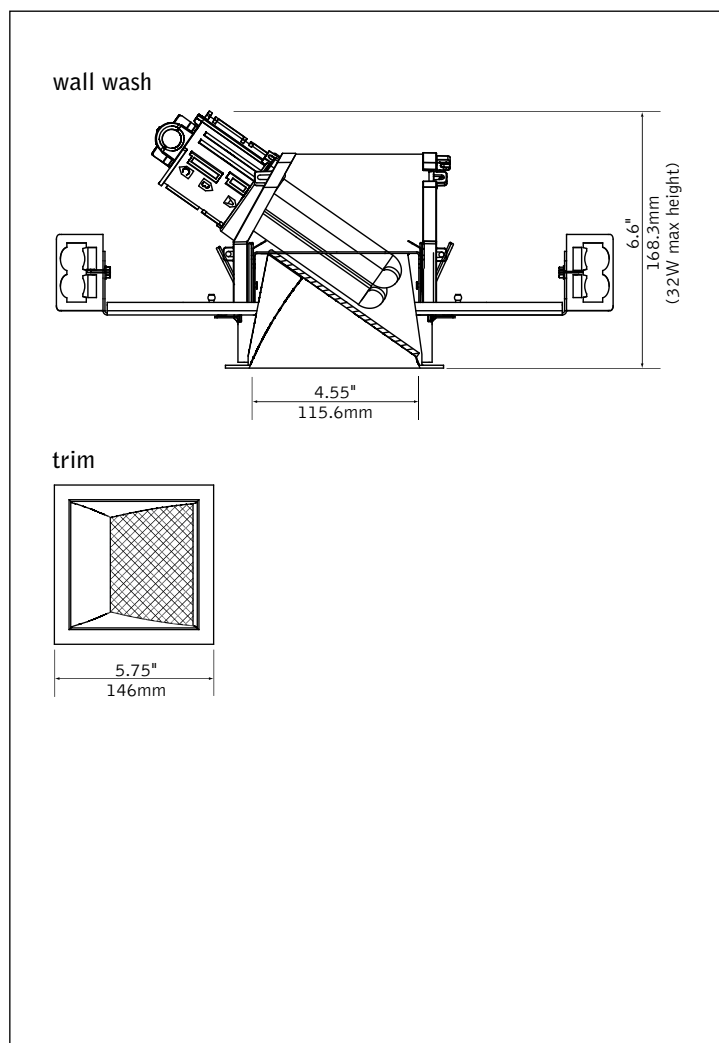
id[®] 4.5" x 4.5"

CFL WALL WASH



MicroGlow™ lens

DIMENSIONAL DATA



FEATURES

Centered optics achieved with CenterLock™ die-cast socket cup which locates and locks lamp in center of aperture.

LampAlign™ allows installation of upper reflector in any direction regardless of housing direction. Lamps are aligned for consistent appearance and light distribution.

Reflector design eliminates tabs in corners for a seamless, no light leaks look.

1" tall housing collar rotates up to 90° to promote alignment with walls and adjacent luminaires.

55-degree cut-off to lamp and its image.

PERFORMANCE

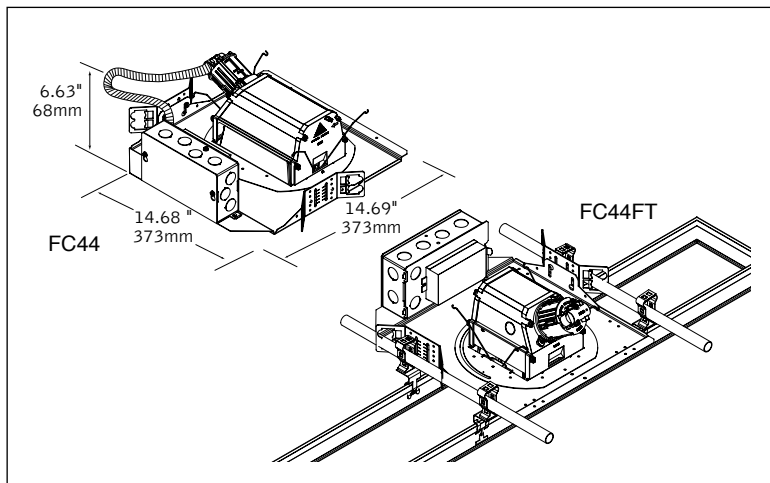
PRODUCT OVERVIEW

- Lumen Output: 372-743lm
- Wattage: 19-36W
- Lamping: TT

Clear Specular
1-Lamp 32W Triple Tube
31% Efficient
579 cd @ 10°

Visit focalpointlights.com for complete photometric data.

DETAILS



SPECIFICATIONS

Housing

Frame features up to 90-degree locking adjustment of aperture after installation for parallel alignment to walls or adjacent fixtures. Frame may be installed into ceiling thicknesses up to 1". For thicker ceiling consult factory. Flex conduit with screw tight fittings mechanically fasten to CenterLock™ socket cup. CenterLock™ provides proper venting for lamps. Butterfly brackets allow mounting to ½ emt. Order bar hangers as an accessory. Galvanized steel frame includes large Junction box 7" x 3.5" with (10) ½" pry outs. UL listed for through branch wiring, four #12 90°C conductors.

Upper Reflector

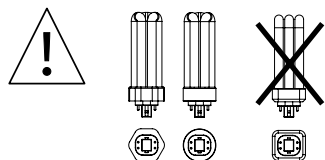
Multi-faceted steel upper reflector mounts to die cast end caps and is finished in High Reflectance White powder coat. Adjustable socket cup allows 18, 26 and 32W lamps to be centered in the optic to maintain optimal performance.

Trim

Lower reflector provides 55-degree cut off to lamp and lamp image. 0.125" thick MicroGlow™ micro prism lens provides uniform distribution, lamp obscuration. Parabolic aluminum fastens to die-cast flange. Trim attaches to upper reflector via torsion springs. Upper reflector and lower reflector ship separately from housing frame to avoid construction abuse.

Electrical

Luminaires are pre-wired for single circuit with thermally protected Class "P" program start <10% THD electronic ballast. Integral emergency battery test switch and indicator light in optic. Rotary lock socket allows for easy lamp removal and reduces lamp breakage. One lamp triple tube compact fluorescent, 18W (GX24q-2), 32W/42W (Gx24q-3). OSI and GE lamps only.



Labels

UL & cUL listed.

Finish

Trim flange, end caps and upper reflector finished in polyester powder coat over a 5-stage pre-treatment.

HOUSING ORDERING

Housing Series

ID CFL Square Housing FC44
 ID CFL Square for mounting FC44FT
 between 6" on center tees

(Not recommended with single-tile spacing between fixtures due to ceiling tile interference)

Lamp

(OSI & GE lamps only)

18W Triple Tube, GX24q-2 18TT
 26W Triple Tube, Gx24q-3 26TT
 (Includes wattage restriction label)
 32W Triple Tube, GX24q-3 32TT

Ballast

Electronic Program Start <10% THD S
 0-10V D7
 2-wire Line Voltage D1
 Lutron EcoSystem Digital DB
 Lutron EcoSystem 3-wire D2

Voltage

120V 120
 277V 277
 347V 347

(Consult factory for dimming options)

Trim Type

Square Flush SF
 Square Overlap SO

Housing Type

Thermally Protected, Non-IC T

Factory Options

Bar Hangers BH
 Chicago Plenum CP
 Emergency Battery Pack* EM
 HLR/GLR Fuse FU
 Include 3000K Lamp L830
 Include 3500K Lamp L835
 Include 4100K Lamp L841

TRIM ORDERING

Aperture

4.5" Square Aperture D44
 4.5" Square for mounting D44FT
 between 6" on center tees

Trim Type

Square SQ

Optic

Wall Wash MicroGlow Lens WWMG

Color

Clear Specular CS
 Clear Diffuse CD
 Warm Diffuse WD
 Silver Talc Diffuse TD

Flange Finish

White WH
 Black BK
 Titanium Silver TS
 Aluminum Raw AL

A complete unit consists of two line items, housing and trim
 Example: FC44-32TT-S-120-SO-T | D44-SQ-WWMG-CD-WH

id[®] 4.5" x 4.5"

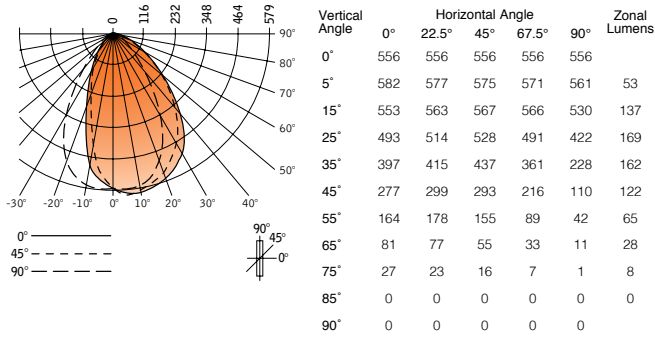
CFL WALL WASH

FC44-32TT-U-SO-T / D44-SO-WWMG-CS-WH

Filename: D44WWMGCS32TT.IES
 Test #: 13975.0

Lumens: 744lm
 Efficiency 31%

CANDLEPOWER DISTRIBUTION



LUMEN SUMMARY

Zone	Lumens	% Lamp	% Fixture	
0-30°	359	14.9	42.8	
0-40°	521	21.7	70	
0-60°	708	29.5	95.1	
0-90°	744	31	100	
Total Luminaire	0-180°	744	31	100

CO-EFFICIENTS OF UTILIZATION

Floor Ceiling Wall	80				70			20 50		30		10		00
	70	50	30	10	70	50	10	50	10	50	10	50	10	00
RCR 0	37	37	37	37	36	36	36	34	34	33	33	32	32	31
1	35	34	33	32	34	33	32	32	31	31	30	30	29	28
2	33	31	30	28	32	31	28	29	27	29	27	28	26	26
3	31	28	27	25	30	28	25	27	25	26	24	26	24	23
4	29	26	24	23	28	26	22	25	22	24	22	24	22	21
5	27	24	22	20	26	24	20	23	20	22	20	22	19	19
6	25	22	20	18	25	22	18	21	18	21	18	20	18	17
7	24	20	18	16	23	20	16	20	16	19	16	19	16	16
8	22	18	16	15	22	18	15	18	15	18	15	17	15	14
9	20	17	15	13	20	17	13	16	13	16	13	16	13	13
10	19	16	13	12	19	15	12	15	12	15	12	15	12	11

Numbers indicate percentage values of reflectivity.

Go to www.focalpointlights.com for additional photometric data.