

Skylite[®] 2x4

FLUORESCENT ASYMMETRIC



DIMENSIONAL DATA

24.00"
609.6mm

5.25"
133.4mm

lamping options

T8 LAMPS

T5/T5HO LAMPS

FEATURES

2'x4' recessed asymmetric indirect with perforated side basket.

High reflectance, low gloss Matte White finish controls glare.

Perforated lamp shield swings down for easy relamping.

All luminaire combinations may be continuously row mounted.

Asymmetric distribution illuminates corridors, conference rooms or any area where high angle vertical illumination is desired.

PERFORMANCE

PRODUCT OVERVIEW

Lumen Output: 1827-6300lm

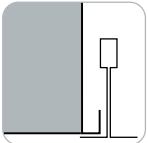
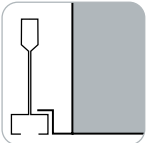
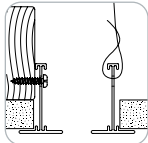
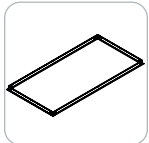
Wattage: 33-120W

Lamping: T5, T5HO, T8

1-Lamp T5HO
63% Efficient
1207 cd @ 45°

Visit focalpointlights.com for complete photometric data.

MOUNTING INFORMATION

<p>grid</p> <p>specify "G" for flat 9/16" and 15/16" tee or "ST" for 9/16" slot tee grid types.</p> <div style="display: flex; justify-content: space-around;"> <div style="text-align: center;">  <p>"G" flat tee Luminaires cannot be installed in T-bar ceiling systems over 1.5" high in T8 lamp configurations.</p> </div> <div style="text-align: center;">  <p>"ST" slot tee</p> </div> </div>	<p>drywall frame kit</p> <p>specify "DF" Drywall Frame Kit for drywall ceiling conditions.</p> <div style="display: flex; justify-content: space-around;"> <div style="text-align: center;">  <p>Use tie-wire or screws to secure frame kit.</p> </div> <div style="text-align: center;">  <p>cut out dimensions: 2': Min: 24.25" Max: 24.563" 4': Min: 48.25" Max: 48.563"</p> </div> </div>
--	--

SPECIFICATIONS

Construction

One-piece 20 Ga. steel reflector and housing. 22 Ga. perforated shields with white acrylic lens insert. Shield is secured by spring latches that allow for easy relamping. Unit weight: 38 lbs.

Optic

One-piece 20 Ga. steel reflector finished in Matte Satin White powder coat.

Electrical

Electronic ballasts are thermally protected and have a Class "P" rating. Optional dimming ballasts available. Consult factory for dimming specifications and availability.

Labels

UL and cUL listed.

Finish

Polyester powder coat applied over a 5-stage pre-treatment.

ORDERING

Luminaire Series	Skylite	FBX
Nominal Size	2' x 4'	24
Distribution	Asymmetric	W
Lamp Quantity	One Lamp Two Lamp	1 2
Lamp Type	T8 T5 T5HO	T8 T5 T5HO
Ballast	Electronic Program Start <10% THD 0-10V Lutron 1% 3-wire Lutron 1% H-Series	S D7 DH DK
Voltage	120 Volt 277 Volt 347 Volt	120 277 347
<small>(Consult factory for dimming options)</small>		
Mounting	Drywall Frame Kit <small>(Cut out dimensions: Min: 24.25"/Max: 24.563" Min: 48.25"/Max: 48.563")</small> Grid Slot Tee <small>(Consult factory for availability)</small> Surface Mount	F G ST SM
Shielding	Perforated Shield	PS
Factory Options	Chicago Plenum Dust Cover Emergency Battery Pack* Positional Clip HLR/GLR Fuse 6' New York City Flex Whip 6' Flex Whip Include 3000K Lamp* Include 3500K Lamp* Include 4100K Lamp* Separate Circuit* Separate CircuitTandem* Labor Saving Master Satellite* Ballast Saving Tandem*	CP DC EM EQ FU FNY FW L830 L835 L841 SC SCT LS BST
Finish	Matte White	WH

Skylite® 2x4

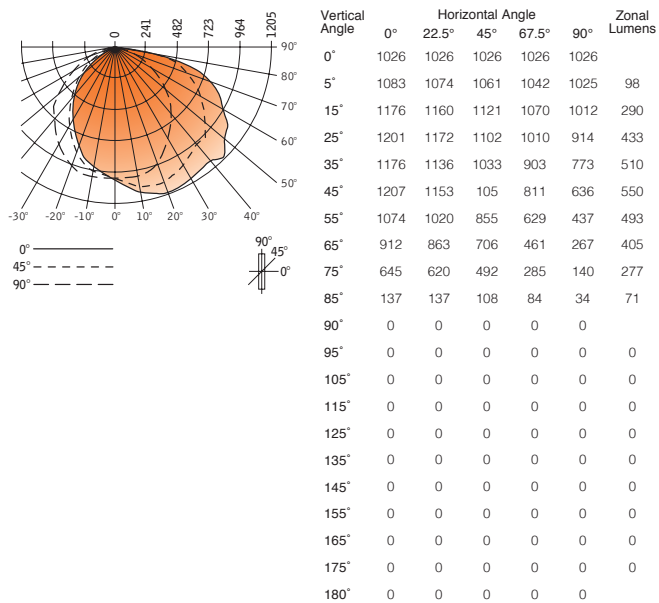
FLUORESCENT ASYMMETRIC

FBX-24-W-1-T5HO-E-120-G-PS-WH

Filename: FBX24W1T5HPS.IES
 Test #: 12536.0

Lumens: 3126lm
 Efficiency 63%

CANDELPower DISTRIBUTION



LUMEN SUMMARY

Zone	Lumens	% Lamp	% Fixture
0-30°	821	16.4	26.3
0-40°	1330	26.6	42.6
0-60°	2373	47.5	75.9
0-90°	3126	62.5	100.0
Total Luminaire 0-180°	3126	62.5	100.0

Go to www.focalpointlights.com for additional photometric data.