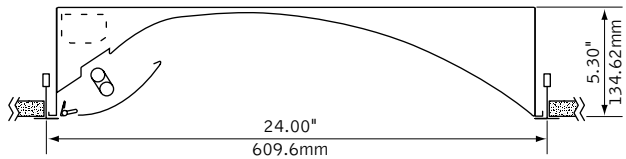




DIMENSIONAL DATA



24.00"
609.6mm

5.30"
134.62mm

lamping options

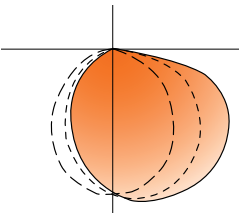
BIAX LAMPS

T5/T5HO LAMPS

FEATURES

- 2'x2' recessed asymmetric indirect with perforated side basket.
- High reflectance, low gloss Matte White finish controls glare.
- Perforated lamp shield swings down for easy relamping.
- All luminaire combinations may be continuously row mounted.
- Asymmetric distribution illuminates corridors, conference rooms or any area where high angle vertical illumination is desired.

PERFORMANCE



PRODUCT OVERVIEW

Lumen Output: 865-2564lm

Wattage: 16-51W

Lamping: Biax, T5, T5HO, T8

1-Lamp 40W Biax

64% Efficient

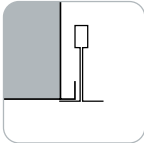
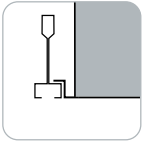
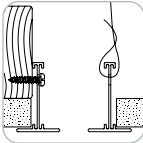
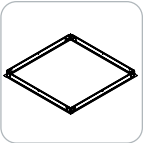
812 cd @ 25°

Visit focalpointlights.com for complete photometric data.

fixture:

project:

MOUNTING INFORMATION

<p>grid</p> <p>specify "G" for flat 9/16" and 15/16" tee or "ST" for 9/16" slot tee grid types.</p>		<p>drywall frame kit</p> <p>specify "DF" Drywall Frame Kit for drywall ceiling conditions.</p>	
			
"G" flat tee	"ST" slot tee	Use tie-wire or screws to secure frame kit.	cut out dimensions: 2": Min: 24.25" Max: 24.563"

SPECIFICATIONS

Construction

One-piece 20 Ga. steel reflector and housing. 22 Ga. perforated shields with white acrylic lens insert. Shield is secured by spring latches that allow for easy relamping. Unit weight: 12 lbs.

Optic

One-piece 20 Ga. steel reflector finished in Matte Satin White powder coat.

Electrical

Electronic ballasts are thermally protected and have a Class "P" rating. Optional dimming ballasts available. Consult factory for dimming specifications and availability.

Labels

UL and cUL listed.

Finish

Polyester powder coat applied over a 5-stage pre-treatment.

ORDERING

Luminaire Series	Skylite	FBX	FBX
Nominal Size	2' x 2'	22	22
Distribution	Asymmetric	W	W
Lamp Quantity	One Lamp	1	
	Two Lamp	2	
	(T5 & T5HO only)		
Lamp Type	40 Watt Biax	BX40	
	T5	T5	
	T5HO	T5HO	
Ballast	Electronic Program Start <10% THD	S	
	0-10V	D7	
	Lutron 1% 3-wire	DH	
	(5% for Biax)		
	Lutron 1% H-Series	DK	
	(5% Hi-Lume 3D for Biax)		
Voltage	120 Volt	120	
	277 Volt	277	
	347 Volt	347	
	(Consult factory for dimming options)		
Mounting	Drywall Frame Kit	F	
	(Cut out dimensions: Min: 24.25"/Max: 24.563")		
	Grid	G	
	Slot Tee	ST	
	(Consult factory for availability)		
	Surface Mount	SM	
Shielding	Perforated Shield	PS	PS
Factory Options	Chicago Plenum	CP	
	Dust Cover	DC	
	Emergency Battery Pack*	EM	
	Positional Clip	EQ	
	HLR/GLR Fuse	FU	
	6' New York City Flex Whip	FNY	
	6' Flex Whip	FW	
	Include 3000K Lamp*	L830	
	Include 3500K Lamp*	L835	
	Include 4100K Lamp*	L841	
	Separate Circuit*	SC	
	Separate CircuitTandem*	SCT	
	Labor Saving Master Satellite*	LS	
	Ballast Saving Tandem*	BST	
Finish	Matte White	WH	WH

Skylite® 2x2

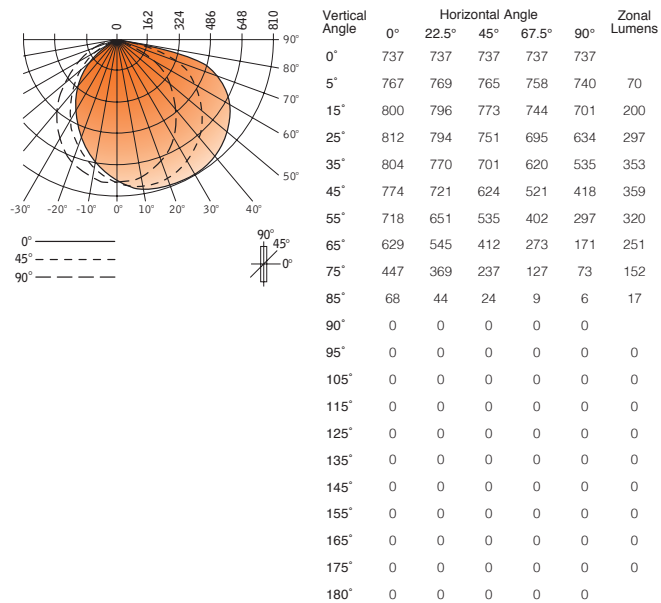
FLUORESCENT ASYMMETRIC

FBX-22-W-1-BX40-E-120-G-PS-WH

Filename: FBX22W1BX40PS.IES
 Test #: 12352.0

Lumens: 2018lm
 Efficiency: 64%

CANDELPower DISTRIBUTION



LUMEN SUMMARY

Zone	Lumens	% Lamp	% Fixture
0-30°	567	18.0	28.1
0-40°	919	29.2	45.6
0-60°	1599	50.7	79.2
0-90°	2018	64.1	100.0
Total Luminaire	0-180°	2018	64.1
		100.0	

Go to www.focalpointlights.com for additional photometric data.