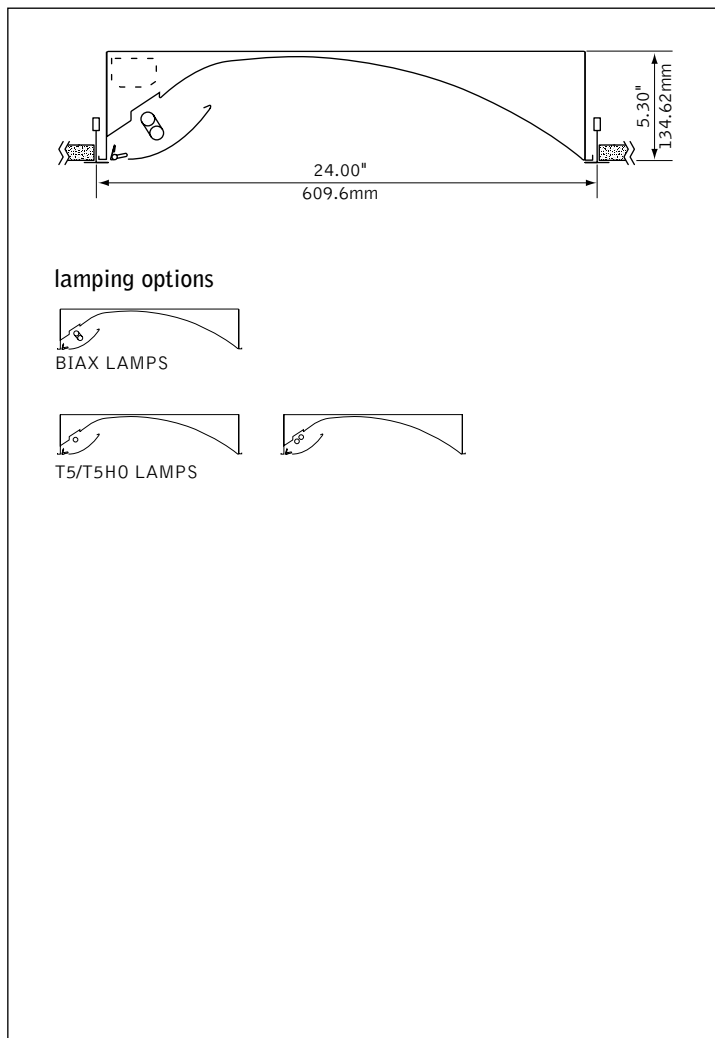




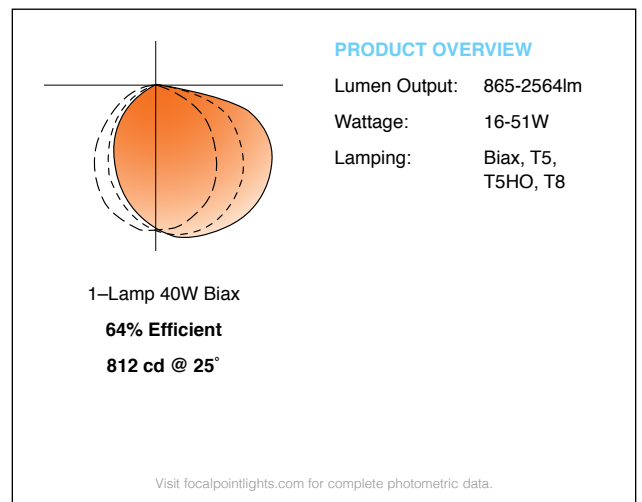
DIMENSIONAL DATA



FEATURES

- 2'x2' recessed asymmetric indirect with perforated side basket.
- High reflectance, low gloss Matte White finish controls glare.
- Perforated lamp shield swings down for easy relamping.
- All luminaire combinations may be continuously row mounted.
- Asymmetric distribution illuminates corridors, conference rooms or any area where high angle vertical illumination is desired.

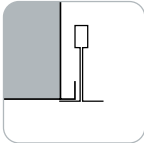
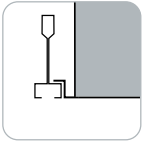
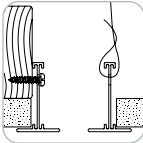
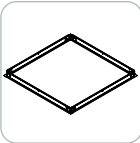
PERFORMANCE



fixture:

project:

MOUNTING INFORMATION

<p>grid</p> <p>specify "G" for flat 9/16" and 15/16" tee or "ST" for 9/16" slot tee grid types.</p>  <p>"G" flat tee</p>  <p>"ST" slot tee</p>	<p>drywall frame kit</p> <p>specify "DF" Drywall Frame Kit for drywall ceiling conditions.</p>  <p>Use tie-wire or screws to secure frame kit.</p>  <p>cut out dimensions: 2": Min: 24.25" Max: 24.563"</p>
---	--

SPECIFICATIONS

Construction

One-piece 20 Ga. steel reflector and housing. 22 Ga. perforated shields with white acrylic lens insert. Shield is secured by spring latches that allow for easy relamping. Unit weight: 12 lbs.

Optic

One-piece 20 Ga. steel reflector finished in Matte Satin White powder coat.

Electrical

Electronic ballasts are thermally protected and have a Class "P" rating. Optional dimming ballasts available. Consult factory for dimming specifications and availability.

Labels

UL and cUL listed.

Finish

Polyester powder coat applied over a 5-stage pre-treatment.

ORDERING

Luminaire Series	Skylite	FBX
	Skylite	FBX
Nominal Size	2' x 2'	22
	2' x 2'	22
Distribution	Asymmetric	W
	Asymmetric	W
Lamp Quantity	One Lamp	1
	Two Lamp	2
	(T5 & T5HO only)	
Lamp Type	40 Watt Biax	BX40
	T5	T5
	T5HO	T5HO
Ballast	Electronic Program Start <10% THD	S
	0-10V	D7
	Lutron 1% 3-wire	DH
	(5% for Biax)	
	Lutron 1% H-Series	DK
	(5% Hi-Lume 3D for Biax)	
Voltage	120 Volt	120
	277 Volt	277
	347 Volt	347
	(Consult factory for dimming options)	
Mounting	Drywall Frame Kit	DF
	(Cut out dimensions: Min: 24.25"/Max: 24.563")	
	Grid	G
	Slot Tee	ST
	(Consult factory for availability)	
	Surface Mount	SM
Shielding	Perforated Shield	PS
	Perforated Shield	PS
Factory Options	Chicago Plenum	CP
	Dust Cover	DC
	Emergency Battery Pack*	EM
	Positional Clip	EQ
	HLR/GLR Fuse	FU
	6' New York City Flex Whip	FNY
	6' Flex Whip	FW
	Include 3000K Lamp*	L830
	Include 3500K Lamp*	L835
	Include 4100K Lamp*	L841
	Separate Circuit*	SC
	Separate CircuitTandem*	SCT
	Labor Saving Master Satellite*	LS
	Ballast Saving Tandem*	BST
Finish	Matte White	WH
	Matte White	WH

Skylite® 2x2

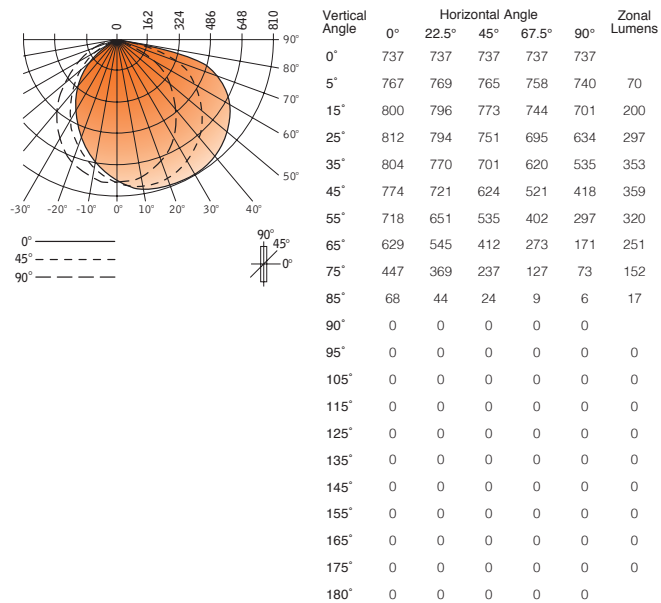
FLUORESCENT ASYMMETRIC

FBX-22-W-1-BX40-E-120-G-PS-WH

Filename: FBX22W1BX40PS.IES
 Test #: 12352.0

Lumens: 2018lm
 Efficiency: 64%

CANDELPower DISTRIBUTION



LUMEN SUMMARY

Zone	Lumens	% Lamp	% Fixture
0-30°	567	18.0	28.1
0-40°	919	29.2	45.6
0-60°	1599	50.7	79.2
0-90°	2018	64.1	100.0
Total Luminaire 0-180°	2018	64.1	100.0

Go to www.focalpointlights.com for additional photometric data.