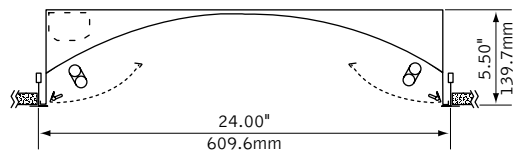




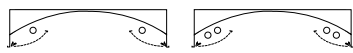
DIMENSIONAL DATA



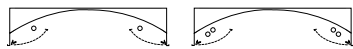
lamping options



BIAX LAMPS



T8 LAMPS



T5/T5HO LAMPS

FEATURES

2'x2' recessed indirect with perforated side baskets.

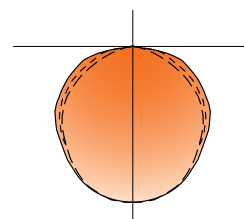
High reflectance, low gloss Matte White finish controls glare.

Perforated lamp shields swing down for easy relamping.

All luminaire combinations may be continuously row mounted.

Skylite® provides high angle uniform distribution ideal for general illumination.

PERFORMANCE



2-Lamp 40W BiAx

66% Efficient

1518 cd @ 0°

PRODUCT OVERVIEW

Lumen Output: 1711-4288lm

Wattage: 32-102W

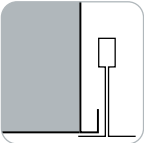
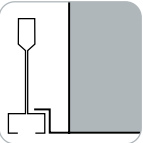
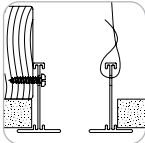
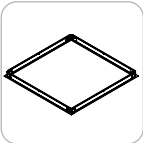
Lamping: BiAx, T5,
T5HO

Visit focalpointlights.com for complete photometric data.

fixture:

project:

MOUNTING INFORMATION

<p>grid</p> <p>specify "G" for flat 9/16" and 15/16" tee or "ST" for 9/16" slot tee grid types.</p> <div style="display: flex; justify-content: space-around;"> <div style="text-align: center;">  <p>"G" flat tee Luminaires cannot be installed in T-bar ceiling systems over 1.5".</p> </div> <div style="text-align: center;">  <p>"ST" slot tee</p> </div> </div>	<p>drywall frame kit</p> <p>specify "DF" Drywall Frame Kit for drywall ceiling conditions.</p> <div style="display: flex; justify-content: space-around;"> <div style="text-align: center;">  <p>Use tie-wire or screws to secure frame kit.</p> </div> <div style="text-align: center;">  <p>cut out dimensions: 2': Min: 24.25" Max: 24.563"</p> </div> </div>
---	---

SPECIFICATIONS

Construction

One-piece 20 Ga. steel reflector and housing. 22 Ga. perforated shields with white acrylic lens insert. Shields are secured by spring latches that allow for easy relamping. Unit weight: 20 lbs.

Optic

One-piece 20 Ga. steel reflector finished in Matte Satin White powder coat.

Electrical

Electronic ballasts are thermally protected and have a Class "P" rating. Optional dimming ballasts available. Consult factory for dimming specifications and availability.

Labels

UL and cUL listed.

Finish

Polyester powder coat applied over a 5-stage pre-treatment.

ORDERING

Luminaire Series		FBX
Skylite	FBX	
Nominal Size		22
2' x 2'	22	
Distribution		B
Bi-Directional	B	
Lamp Quantity		
Two Lamp	2	
Four Lamp	4	
<small>(T8, T5 & T5HO only)</small>		
Lamp Type		
40 Watt Biax	BX40	
T8	T8	
T5	T5	
T5HO	T5HO	
Ballast		
Electronic Program Start <10% THD	S	
0-10V	D7	
Lutron 1% 3-wire	DH	
<small>(5% for Biax)</small>		
Lutron 1% H-Series	DK	
<small>(5% Hi-Lume 3D for Biax)</small>		
Voltage		
120 Volt	120	
277 Volt	277	
347 Volt	347	
<small>(Consult factory for dimming options)</small>		
Mounting		
Drywall Frame Kit	DF	
<small>(Cut out dimensions: Min: 24.25"/Max: 24.563")</small>		
Grid	G	
Slot Tee	ST	
Surface Mount	SM	
Shielding		PS
Perforated Shield	PS	
Factory Options		
Air Return	AR	
Chicago Plenum	CP	
Dust Cover	DC	
Emergency Battery Pack*	EM	
Positional Clip	EQ	
HLR/GLR Fuse	FU	
6' New York City Flex Whip	FNY	
6' Flex Whip	FW	
Include 3000K Lamp*	L830	
Include 3500K Lamp*	L835	
Include 4100K Lamp*	L841	
Separate Circuit*	SC	
Separate CircuitTandem*	SCT	
Labor Saving Master Satellite*	LS	
Ballast Saving Tandem*	BST	
Finish		WH
Matte White	WH	

Skylite® 2x2

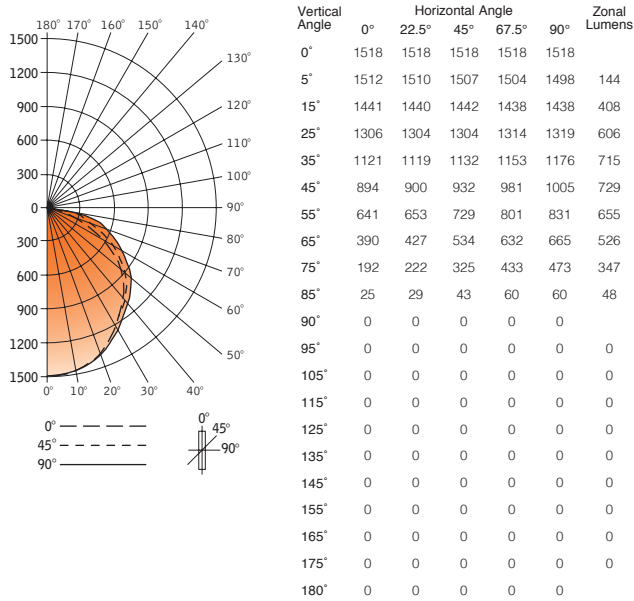
FLUORESCENT

FBX-22-B-2-BX40-E-120-G-PS-WH

Filename: FBX222BX40PS.IES
 Test #: 11018.0

Lumens: 3918lm
 Efficiency: 66%

CANDELPWER DISTRIBUTION



LUMEN SUMMARY

Zone	Lumens	% Lamp	% Fixture
0-30°	1158	18.4	27.7
0-40°	1873	29.7	44.8
0-60°	3256	51.7	78.0
0-90°	4177	66.3	100.0
Total Luminaire 0-180°	3918	66	100.0

LUMINANCE DATA (cd/M²)

Vertical Angle	0°	45°	90°
45°	3676	3832	4133
55°	3249	3695	4213
65°	2683	3674	4575
75°	2157	3651	5314
85°	834	1435	2003

CO-EFFICIENTS OF UTILIZATION

Floor Ceiling Wall	80				70			20 50		30		10		00
	70	50	30	10	70	50	10	50	10	50	10	50	10	00
RCR 0	79	79	79	79	77	77	77	74	74	71	71	68	68	66
1	73	70	67	65	71	68	64	65	62	63	60	61	58	57
2	66	61	57	53	65	60	53	58	51	55	50	53	49	48
3	61	54	49	45	59	53	44	51	44	49	43	48	42	41
4	56	48	42	38	54	47	38	46	37	44	37	43	36	35
5	51	42	37	32	49	42	32	40	32	39	31	38	31	30
6	47	38	32	28	46	37	28	36	28	35	27	34	27	26
7	43	34	28	24	42	34	24	33	24	32	24	31	24	22
8	40	31	25	21	39	30	21	29	21	28	21	28	21	19
9	37	28	22	18	36	27	18	26	18	26	18	25	18	17
10	34	25	20	16	33	25	16	24	16	23	16	23	16	15

Numbers indicate percentage values of reflectivity.

Go to www.focalpointlights.com for additional photometric data.