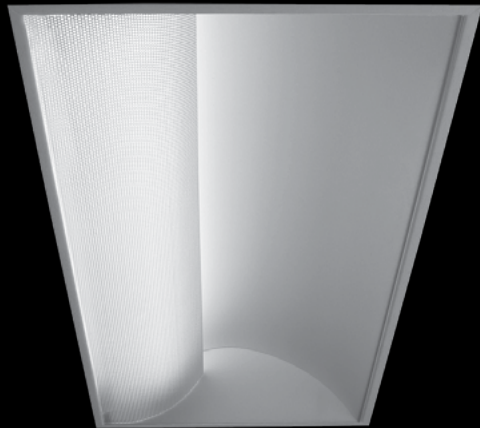


Skylite[®] 1x2

FLUORESCENT



DIMENSIONAL DATA

lamping options

BIAX LAMPS

T8 LAMPS

T5/T5H0 LAMPS

FEATURES

- 1' x 2' recessed asymmetric indirect with perforated side basket.
- High reflectance, low gloss Matte White finish controls glare.
- Perforated lamp shield swings down for easy relamping.
- All luminaire combinations may be continuously row mounted.
- Asymmetric distribution illuminates corridors, conference rooms or any area where high angle vertical illumination is desired.

PERFORMANCE

PRODUCT OVERVIEW

Lumen Output: 761-2707lm
 Wattage: 16-51W
 Lamping: Biax, T5, T5HO, T8

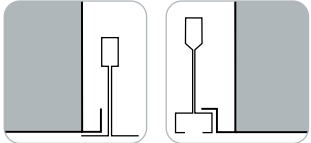
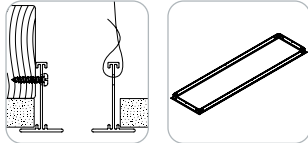
1-Lamp 40W Biax
56% Efficient
754 cd @ 25°

Visit focalpointlights.com for complete photometric data.

fixture:

project:

MOUNTING INFORMATION

grid	drywall frame kit
<p>specify "G" for flat 9/16" and 15/16" tee or "ST" for 9/16" slot tee grid types.</p>	<p>specify "DF" Drywall Frame Kit for drywall ceiling conditions.</p>
	
<p>"G" flat tee Luminaires cannot be installed in T-bar ceiling systems over 1.5" high in T8 lamp configurations.</p>	<p>Use tie-wire or screws to secure frame kit.</p>
	<p>cut out dimensions: 1': Min: 12.25" Max: 12.563" 2': Min: 24.25" Max: 24.563"</p>

SPECIFICATIONS

Construction

One-piece 20 Ga. steel reflector and housing. 22 Ga. perforated shields with white acrylic lens insert. Shield is secured by spring latches that allow for easy relamping. Unit weight: 12 lbs.

Optic

One-piece 20 Ga. steel reflector finished in Matte Satin White powder coat.

Electrical

Electronic ballasts are thermally protected and have a Class "P" rating. Optional dimming ballasts available. Consult factory for dimming specifications and availability.

Labels

UL and cUL listed.

Finish

Polyester powder coat applied over a 5-stage pre-treatment.

ORDERING

Luminaire Series	FBX
Skylite	FBX
Nominal Size	12
1' x 2'	12
Distribution	W
Asymmetric	W
Lamp Quantity	
One Lamp	1
Two Lamp	2
(T8, T5 & T5HO only)	
Lamp Type	
40 Watt Biax	BX40
T8	T8
T5	T5
T5HO	T5HO
Ballast	
Electronic Program Start <10% THD	S
0-10V	D7
Lutron 1% 3-wire	DH
(5% for Biax)	
Lutron 1% H-Series	DK
(5% Hi-Lume 3D for Biax)	
Voltage	
120 Volt	120
277 Volt	277
347 Volt	347
(Consult factory for dimming options)	
Mounting	
Drywall Frame Kit	F
(Cut out dimensions: Min: 12.25"/Max: 12.563" Min: 24.25"/Max 24.563")	
Grid	G
Slot Tee	ST
(Not available with Biax)	
Shielding	PS
Perforated Shield	PS
Factory Options	
Air Return	AR
Chicago Plenum	CP
Dust Cover	DC
Emergency Battery Pack*	EM
Positional Clip	EQ
HLR/GLR Fuse	FU
6' New York City Flex Whip	FNY
6' Flex Whip	FW
Include 3000K Lamp*	L830
Include 3500K Lamp*	L835
Include 4100K Lamp*	L841
Separate Circuit*	SC
Separate CircuitTandem*	SCT
Labor Saving Master Satellite*	LS
Ballast Saving Tandem*	BST
Finish	WH
Matte White	WH

Skylite® 1x2

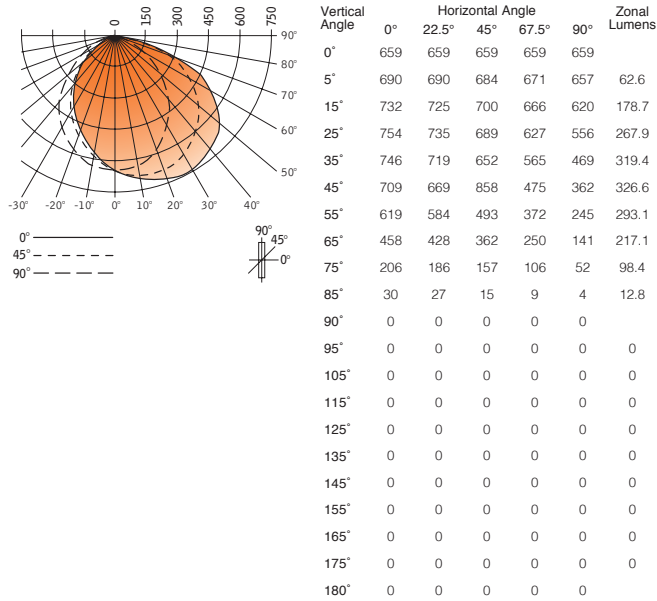
FLUORESCENT ASYMMETRIC

FBX-12-W-1-BX40-E-120-G-PS-WH

Filename: FBX12W1BX40PS.IES
 Test #: 12351.0

Lumens: 1777lm
 Efficiency: 56%

CANDELPower DISTRIBUTION



LUMEN SUMMARY

Zone	Lumens	% Lamp	% Fixture
0-30°	509	16.2	28.7
0-40°	829	26.3	46.6
0-60°	1448	46.0	81.5
0-90°	1777	56.4	100.0
Total Luminaire 0-180°	1777	56.4	100.0

Go to www.focalpointlights.com for additional photometric data.