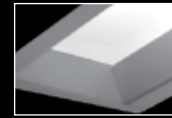
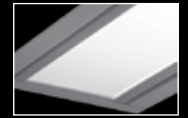


corrugated regress trim

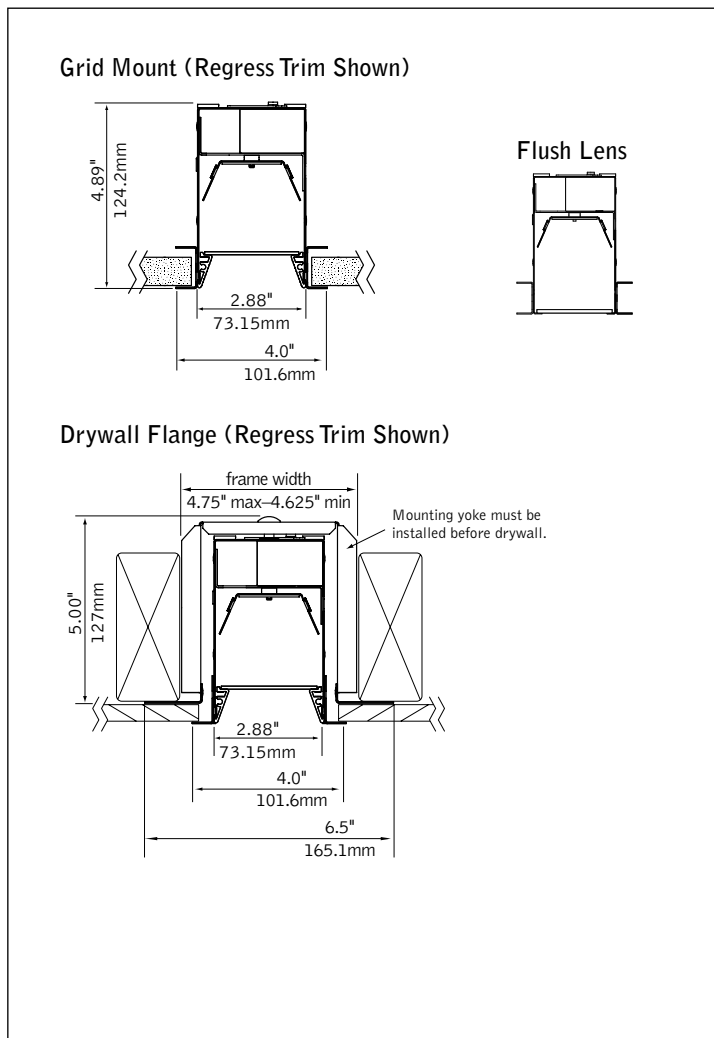


solid regress trim



flush lens

DIMENSIONAL DATA



FEATURES

Narrow 3" slot LED with frosted satin lens.

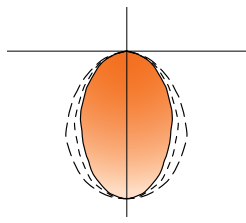
Shielding options include corrugated or solid regressed trim or flush lens.

Avenue B LED allows ceiling tiles to rest on fixture rails, keeping ceilings clean without the need for additional tees.

Drywall installation available.

Avenue® B LED is a great solution for general illumination in a narrow aperture.

PERFORMANCE



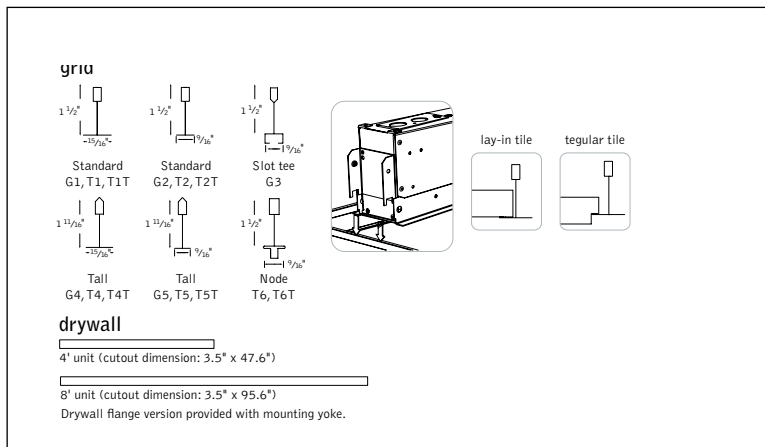
PRODUCT OVERVIEW

Lumen Output:	1759-3217lm
Wattage:	22-38W
LPW:	73-92
SDCM:	3

Standard Output (LL1)
4' Housing with Flush Lens
Delivered Lumens: 2034lm
Total System Watts: 22W

Visit focalpointlights.com for complete photometric data.

MOUNTING INFORMATION



SPECIFICATIONS

LED System

Proprietary linear LED module incorporates premium LEDs on a robust platform to achieve excellent thermal management. LEDs are placed to promote a uniform appearance. Available in 3000K, 3500K or 4000K with CRI>80, 3SDCM. LED modules and drivers are replaceable from below.

Construction

One-piece 20 Ga. steel housing. Thermally protected housing for new construction applications without direct contact with insulation. Insulation to be kept 3" away from housing. Corrugated and solid regress trim constructed of extruded aluminum finished in Matte Satin White. Grid luminaires include 20 Ga. steel, .5" wide flange rail finished in Matte Satin White. Drywall flange option is provided with 20 Ga. steel, .5" wide flange kit and 20 Ga. galvanized steel mounting yoke. 2' unit weight: 5 lbs., 4' unit weight: 7 lbs.

Optic

22 Ga. steel reflectors finished in High Reflectance White powder coat. Frosted Acrylic lens diffuser .118" thick.

Electrical

Thru-wiring not available. Voltage specific thermal protectors included standard.

Emergency Battery

Bodine BSL310-CAN. Emergency output - 10 watts for 90 minutes. Maximum mounting height: 20ft.

Labels

UL and cUL Listed. Suitable for Dry or Damp Locations, indoor use only.

Finish

Polyester powder coat applied over a multi-stage pre-treatment.

Lumen Maintenance

Reported: L70 at >60,000 hours Calculated: L70 at 84,000 hours
 Derived from EPA TM-21 calculator. Based on typical conditions, consult factory for additional data.

Reliability

At Focal Point, our products are designed to stand the test of time. Each luminaire is engineered using superior components, manufactured with the utmost care and rigorously tested. Contact us for reliability data.

Warranty

LED system rated for operation in ambient environments up to 25°C. 5-year limited warranty.

4' PERFORMANCE CHART

Shielding	LED System	Tested System		
		Delivered Lumens	Watts	LPW
SR	Standard output	1759	22	80
	Medium output	2164	27	80
	High output	2769	38	73
FL	Standard output	2034	22	92
	Medium output	2425	27	90
	High output	3217	38	85

Based on 3500K. Lumen output may vary +/- 5%. Actual wattage may vary +/- 5%

Focal Point LLC reserves the right to change specifications for product improvement without notification.

ORDERING

Luminaire Series	FAVBL
Avenue B LED	FAVBL
Shielding	
Corrugated Regressed Trim Frst.Lns	CR
Solid Regressed Trim Frosted Lens	SR
Flush Frosted Lens	FL
LED System	
Standard Output	LL1
Medium Output	LL2
High Output	LL3
Color Temperature	
3000K	30K
3500K	35K
4000K	40K
Circuits	
Single Circuit	1C
Voltage	
120 Volt	120
277 Volt	277
Control System & Dimming Level	
0-10V - 10% Dimming	LD1
Lutron A-Series	
1% EcoSystem Digital (LL3 output, 4' Housing only.)	L3D
Step Dimming	SD5
Ceiling Configurations	
Drywall Flange	F
Std. 15/16" Lay-in	G1
Std. 15/16" Tegular	T1
Std. 15/16" Tegular, against Tee	T1T
Std. 9/16" Lay-in	G2
Std. 9/16" Tegular	T2
Std. 9/16" Tegular, against Tee	T2T
9/16" Slot-tee Tegular	G3
Tall 15/16" Lay-in	G4
Tall 15/16" Tegular	T4
Tall 15/16" Tegular, against Tee	T4T
Tall 9/16" Lay-in	G5
Tall 9/16" Tegular	T5
Tall 9/16" Tegular, against Tee	T5T
Node 9/16" Tegular	T6
Node 9/16" Tegular, against Tee	T6T
Factory Options	
Chicago Plenum	CP
Emergency Battery Pack (Not available in 2' housing)	EM
Positional Clips	EQ
6' New York City Flex Whip	FNY
6' Flex Whip	FW
Finish	
Matte White Housing	WH
Luminaire Length	
4' Nominal Housing	4'
8' Nominal Housing	8'



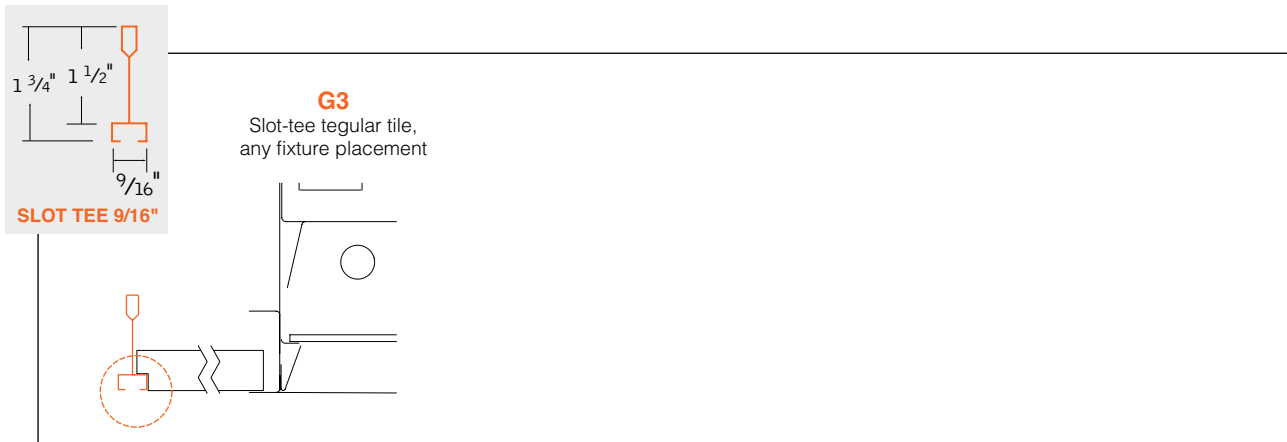
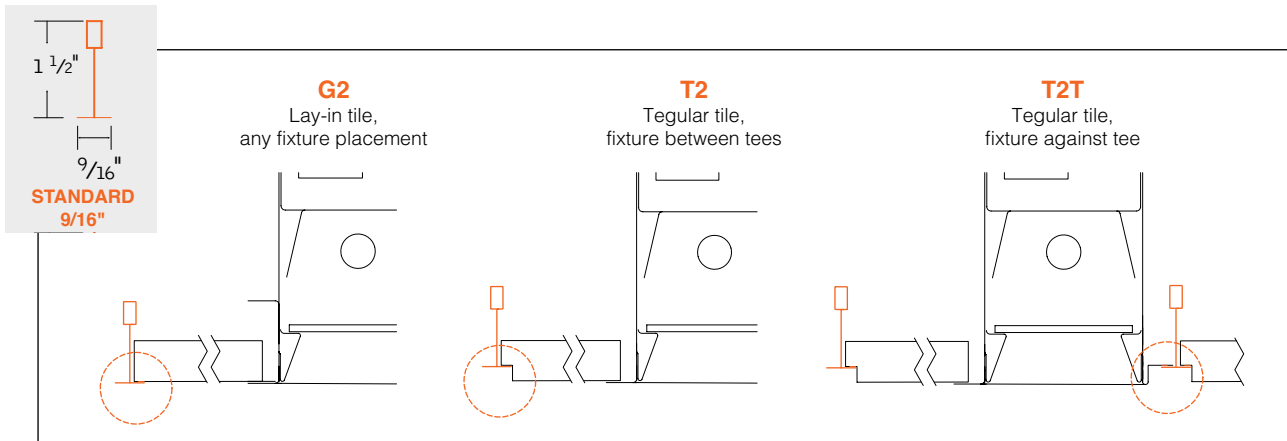
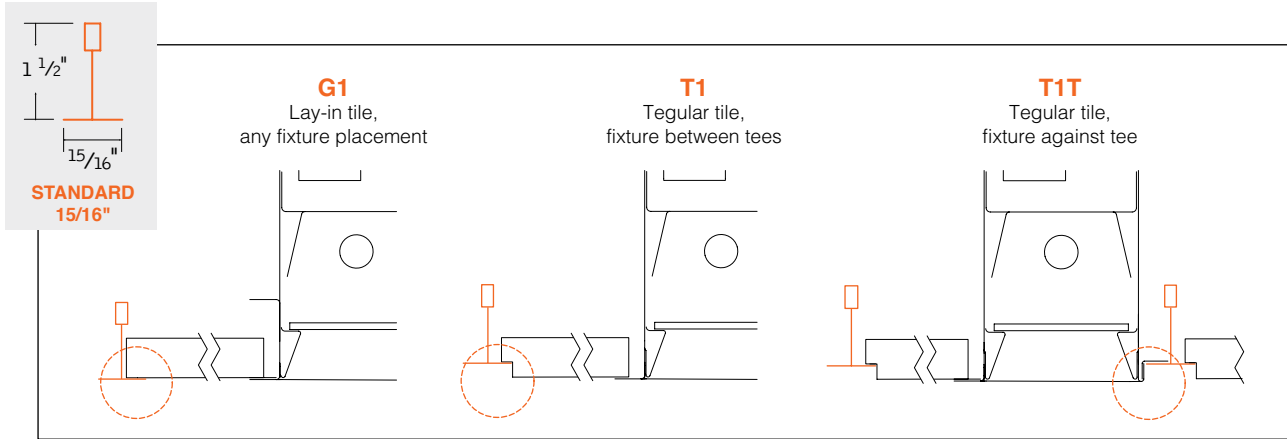
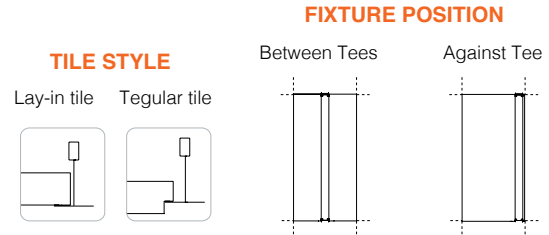
Options in orange qualify for the Quickship program. 10-day up to 100 pieces. Refer to Quickship Guide for complete details.

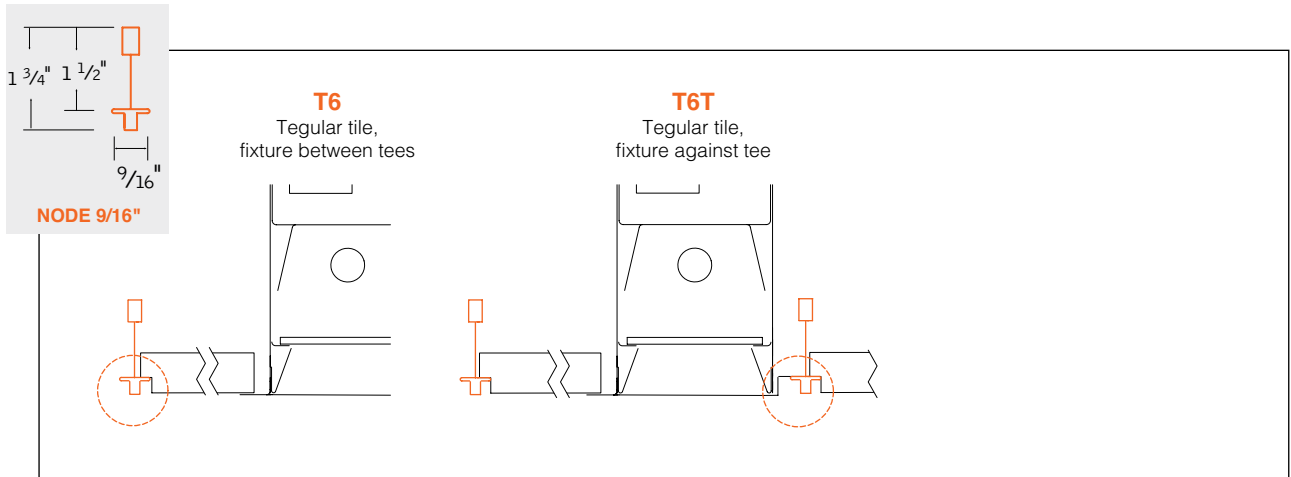
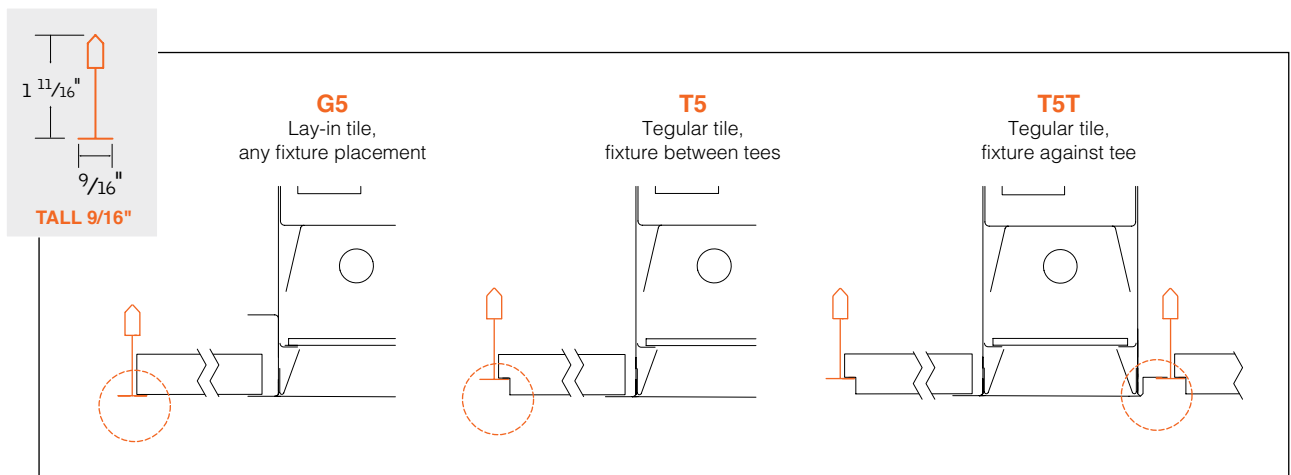
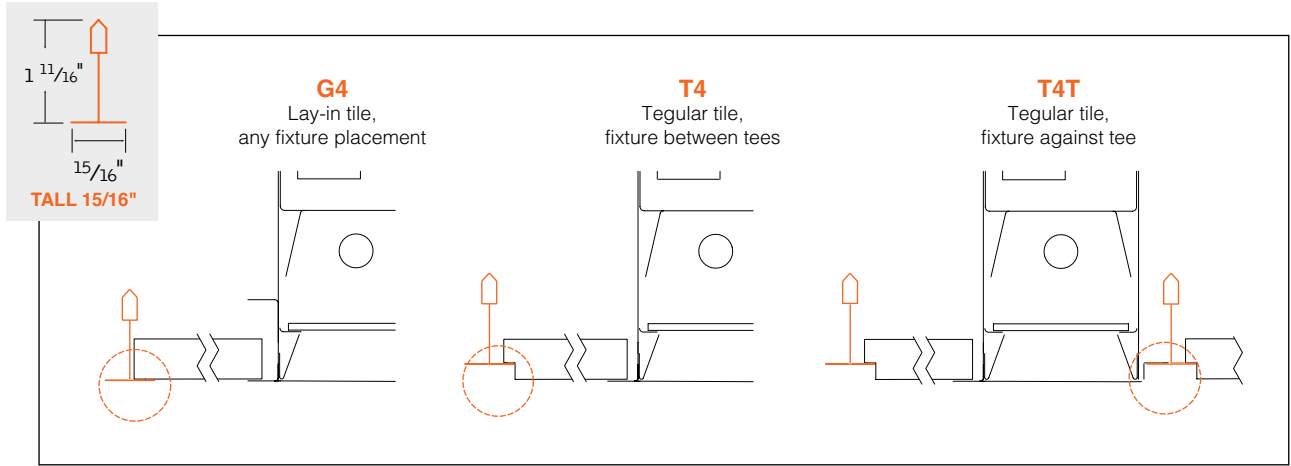
Avenue® B

FLUORESCENT & LED GRID CEILING CONFIGURATIONS



Avenue B is configured at our factory to integrate easily with your specified grid type, tile style and fixture position. Please review the below options and choose the mounting code that matches your application.





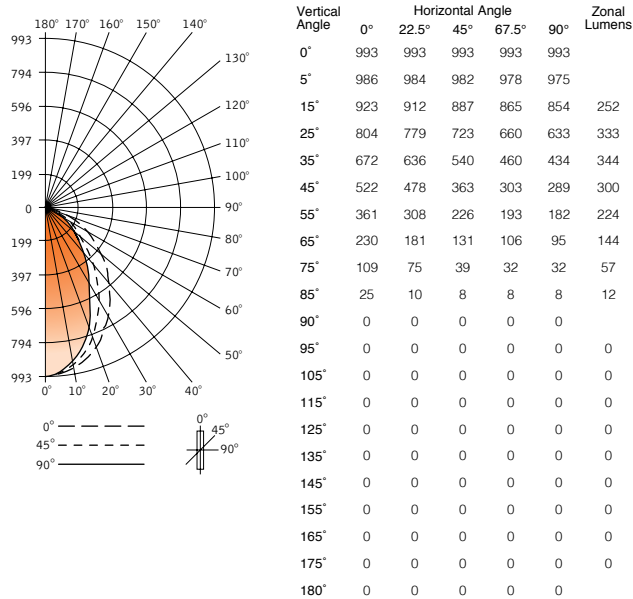
Avenue® B

LED - SOLID REGRESSED TRIM

FAVBL-SR-LL1-L35-LD1-WH

Lumens: 1759lm
System Watts: 22W
LPW: 80

CANDLEPOWER DISTRIBUTION



LUMEN SUMMARY

Zone	Lumens	% Fixture
0-30°	679	38.6
0-40°	1023	58.1
0-60°	1547	87.9
0-90°	1759	100.0
Total Luminaire 0-180°	1759	100.0

LUMINANCE DATA (CD/M²)

Vertical Angle	0°	45°	90°
45°	8789	6104	4870
55°	7484	4688	3783
65°	6474	3683	2679
75°	5012	1777	1458
85°	3383	1082	1082

Go to www.focalpointlights.com for additional photometric data.

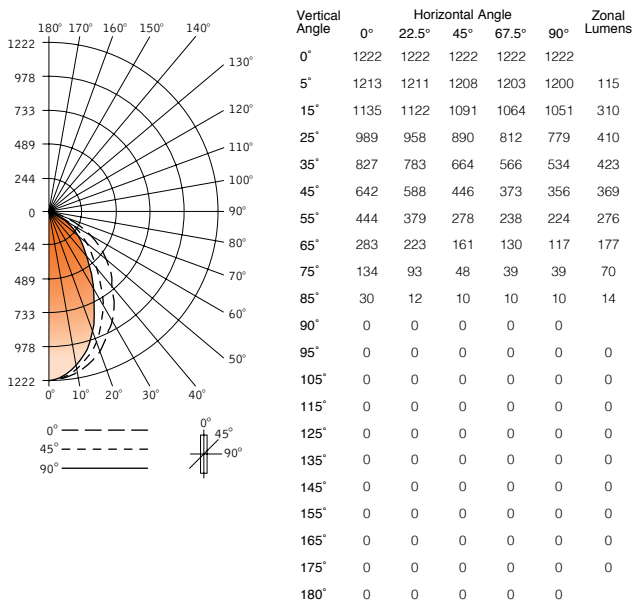
Avenue® B

LED - SOLID REGRESSED TRIM

FAVBL-SR-LL2-L35-LD1-WH

Lumens: 2164lm
System Watts: 30.8W
LPW: 70

CANDLEPOWER DISTRIBUTION



LUMEN SUMMARY

Zone	Lumens	% Fixture
0-30°	835	38.6
0-40°	1258	58.1
0-60°	1903	87.9
0-90°	2164	100.0
Total Luminaire 0-180°	2164	100.0

LUMINANCE DATA (CD/M²)

Vertical Angle	0°	45°	90°
45°	10813	7510	5991
55°	9207	5767	4654
65°	7964	4532	3296
75°	6166	2186	1794
85°	4162	1332	1332

Go to www.focalpointlights.com for additional photometric data.

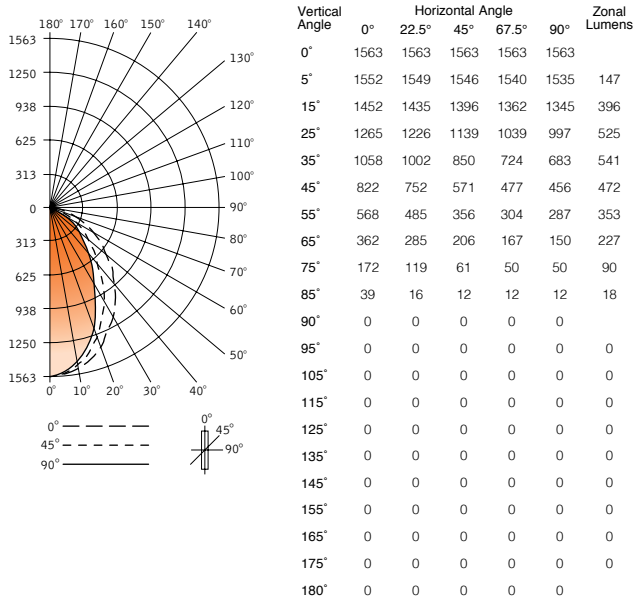
Avenue® B

LED - SOLID REGRESSED TRIM

FAVB-SR-LL3-L35-LD1-F-WH

Lumens: 2769lm
System Watts: 38W
LPW: 73

CANDLEPOWER DISTRIBUTION



LUMEN SUMMARY

Zone	Lumens	% Fixture
0-30°	1068	38.6
0-40°	1610	58.1
0-60°	2435	87.9
0-90°	2769	100.0
Total Luminaire 0-180°	2769	100.0

LUMINANCE DATA (CD/M²)

Vertical Angle	Horizontal Angle		
	0°	45°	90°
45°	13836	9609	7666
55°	11781	7380	5955
65°	10191	5798	4217
75°	7890	2797	2295
85°	5325	1704	1704

Go to www.focalpointlights.com for additional photometric data.

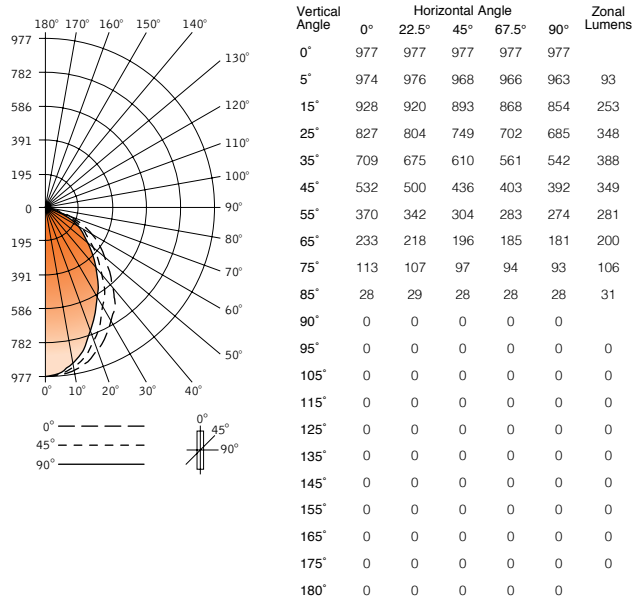
Avenue® B

LED - FLUSH LENS

FAVB-FL-LL1-L35-LD1-WH

Lumens: 2048lm
System Watts: 22W
LPW: 92

CANDLEPOWER DISTRIBUTION



LUMEN SUMMARY

Zone	Lumens	% Fixture
0-30°	694	33.9
0-40°	1082	52.8
0-60°	1712	83.6
0-90°	2048	100.0
Total Luminaire 0-180°	2048	100.0

LUMINANCE DATA (CD/M²)

Vertical Angle	0°	45°	90°
45°	10946	8974	8059
55°	9372	7716	6941
65°	8033	6742	6216
75°	6325	5466	5231
85°	4637	4637	4637

Go to www.focalpointlights.com for additional photometric data.

Avenue® B

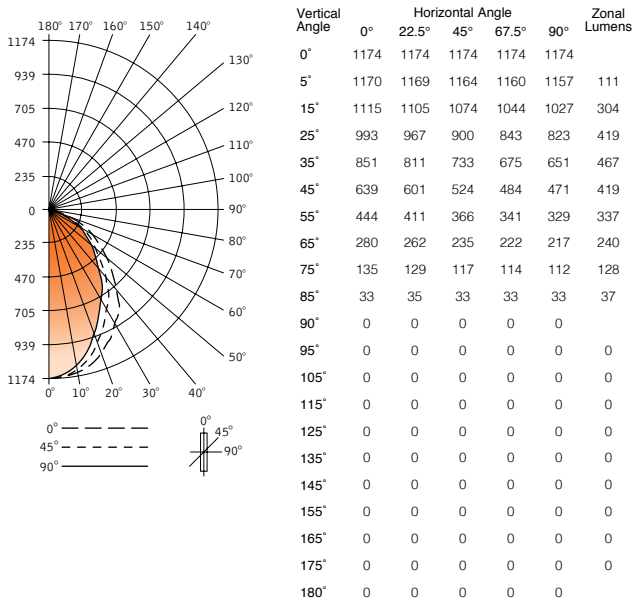
LED - FLUSH LENS

FAVB-FL-LL2-L35-LD1-WH

Filename: FAVBLL2L35.IES
Test #: 17028.0

Lumens: 2462lm
System Watts: 31.1W
LPW: 79

CANDLEPOWER DISTRIBUTION



LUMEN SUMMARY

Zone	Lumens	% Fixture
0-30°	834	33.9
0-40°	1301	52.8
0-60°	2057	83.6
0-90°	2462	100.0
Total Luminaire 0-180°	2462	100.0

LUMINANCE DATA (CD/M²)

Vertical Angle	0°	45°	90°
45°	12153	10784	9685
55°	11262	9272	8341
65°	9564	8102	7470
75°	7600	6568	6286
85°	5573	5573	5573

Go to www.focalpointlights.com for additional photometric data.

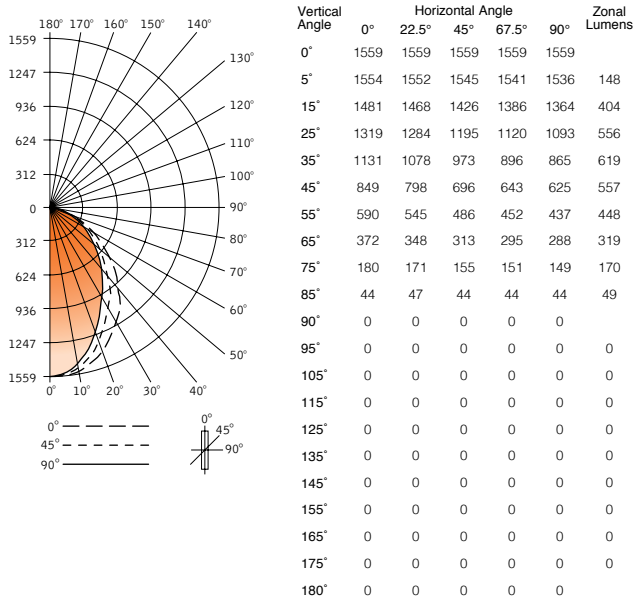
Avenue® B

LED - FLUSH LENS

FAVB-FL-LL3-L35-LD1-WH

Lumens: 3268lm
System Watts: 38W
LPW: 85

CANDLEPOWER DISTRIBUTION



LUMEN SUMMARY

Zone	Lumens	% Fixture
0-30°	1108	33.9
0-40°	1727	52.8
0-60°	2731	83.6
0-90°	3268	100.0
Total Luminaire 0-180°	3268	100.0

LUMINANCE DATA (CD/M²)

Vertical Angle	Horizontal Angle		
	0°	45°	90°
45°	17467	14320	12861
55°	14955	12313	11076
65°	12819	10759	9919
75°	10092	8722	8348
85°	7400	7400	7400

Go to www.focalpointlights.com for additional photometric data.