

avenue® B led

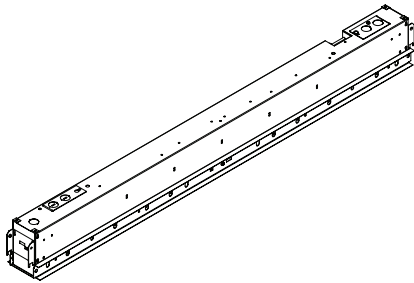
FAVBL



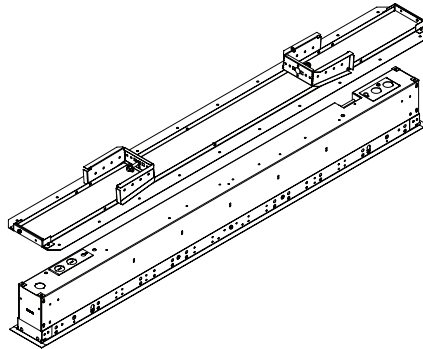
FOCAL POINT®

⚠️ AVOID ALL CONTACT WITH LED SURFACE, LEDs ARE EASILY DAMAGED!

FOCAL POINT - GRID



FOCAL POINT - DRYWALL



KEY



POWER OFF



POWER ON



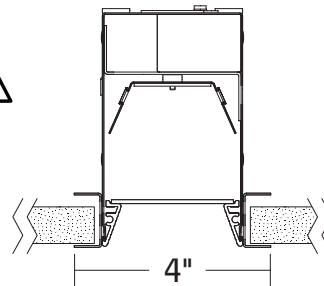
ATTENTION

GRID INSTALLATION (SEE PAGE 3 FOR DRYWALL INSTALLATION)



4FT LUMINAIRE WEIGHT: 7LBS

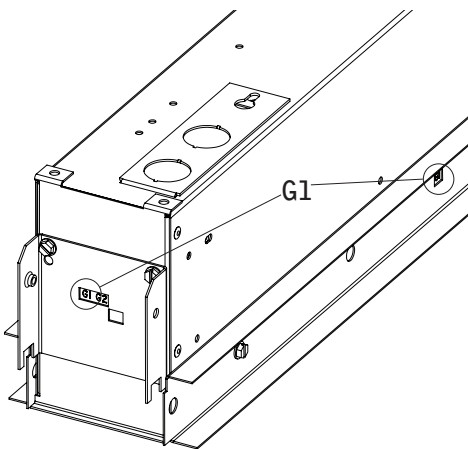
5FT LUMINAIRE WEIGHT: 8LBS



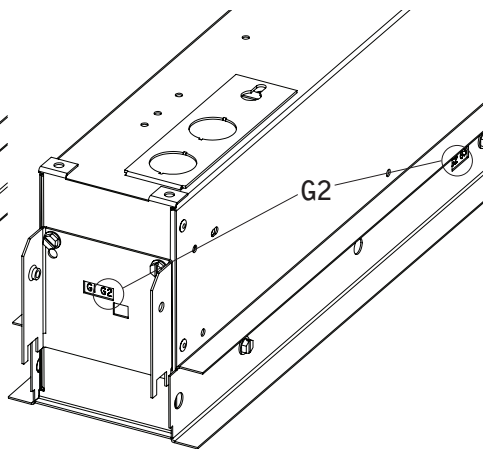
RAIL & BRACKET GUIDE



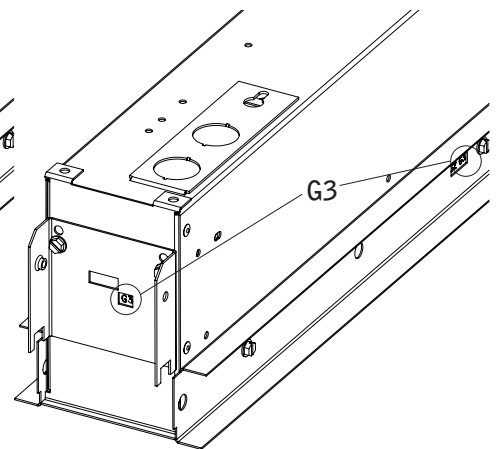
IF FIELD ADJUSTMENT IS REQUIRED, MODIFY MOUNTING HOLE LOCATION BY LOOSENING TWO MOUNTING BRACKET SCREWS. REMOVE SCREWS HOLDING SIDE RAILS, FLIP SIDE RAILS AS SHOWN BELOW.



G1: STD 15/16" LAY-IN TILE



G2: STD 9/16" LAY-IN TILE



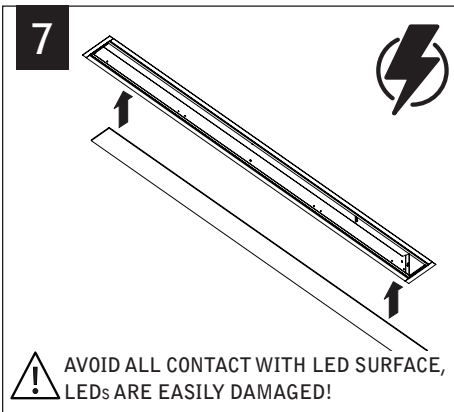
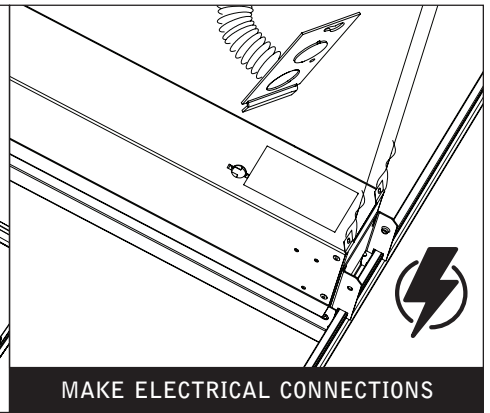
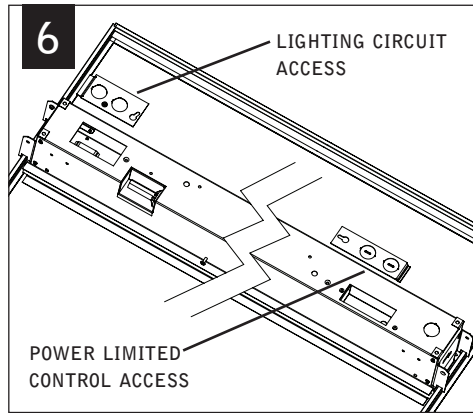
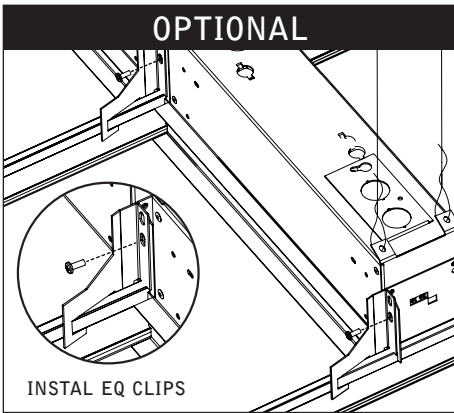
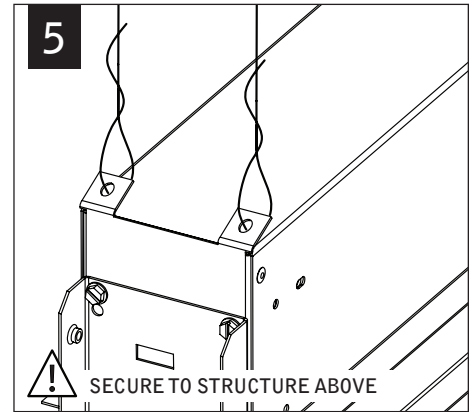
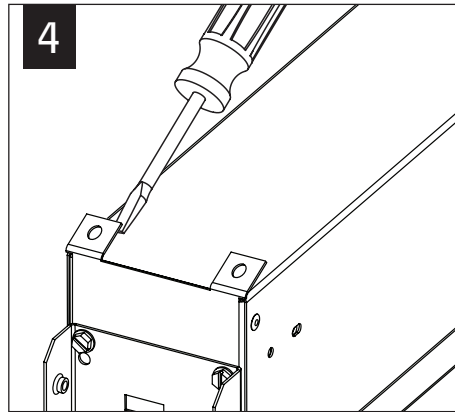
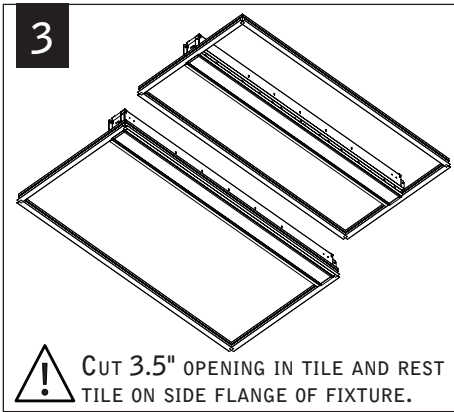
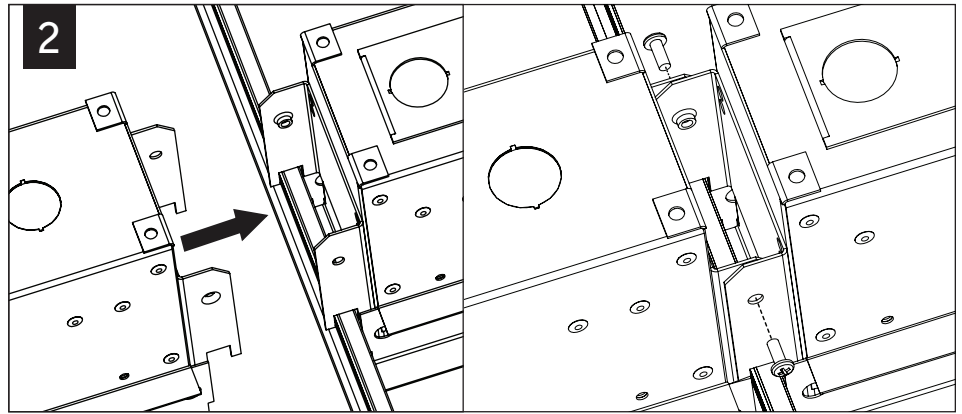
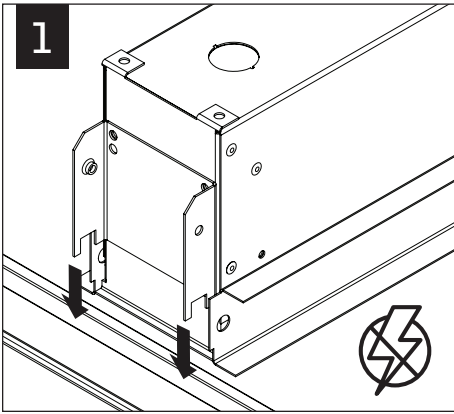
G3: 9/16" SLOT-TEE TEGULAR TILE



STD = 1-1/2" TEE HEIGHT, TALL = 1-11/16" TEE HEIGHT

Luminaires must be installed by a qualified electrician (check with local and national codes for proper installation).
To prevent electrical shock, disconnect electrical supply before installation or servicing.

GRID INSTALLATION (CONTINUED)

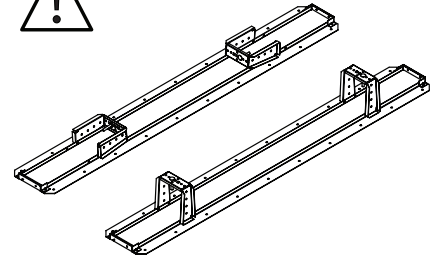
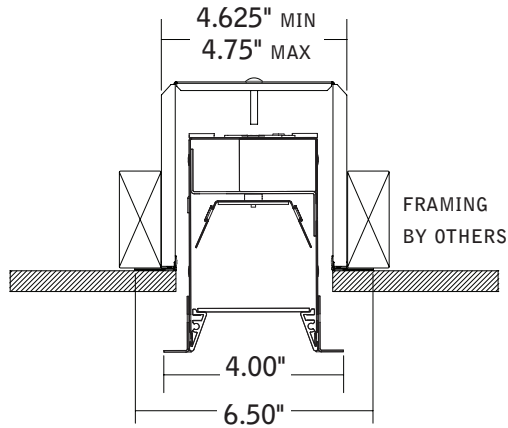


Luminaires must be installed by a qualified electrician (check with local and national codes for proper installation). To prevent electrical shock, disconnect electrical supply before installation or servicing.

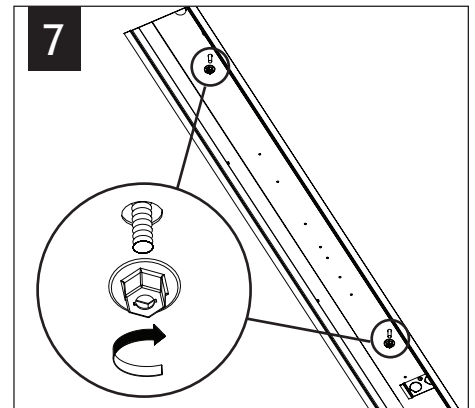
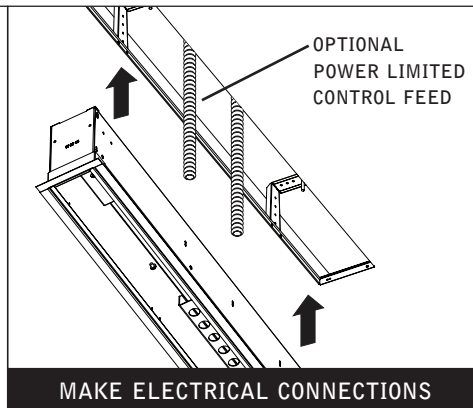
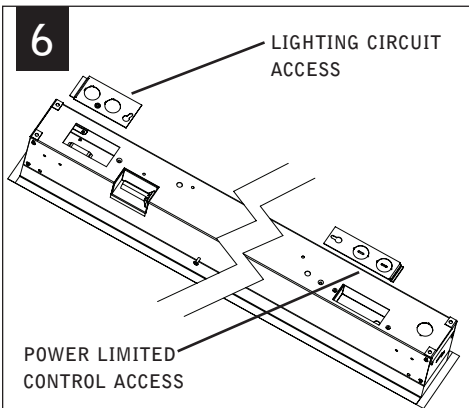
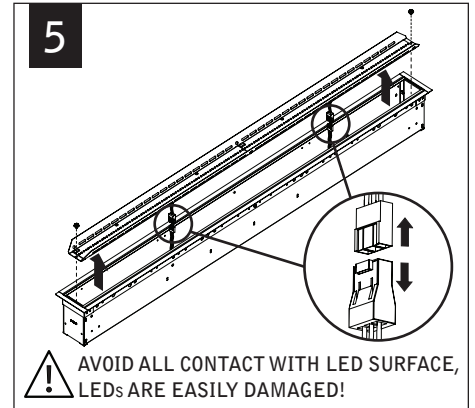
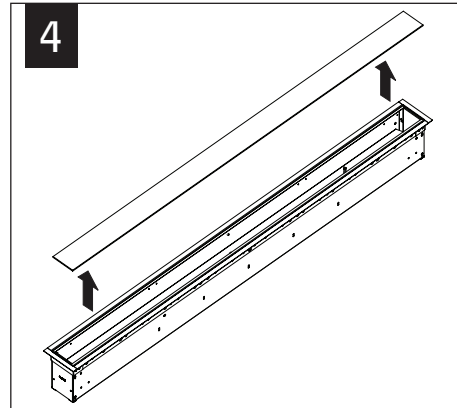
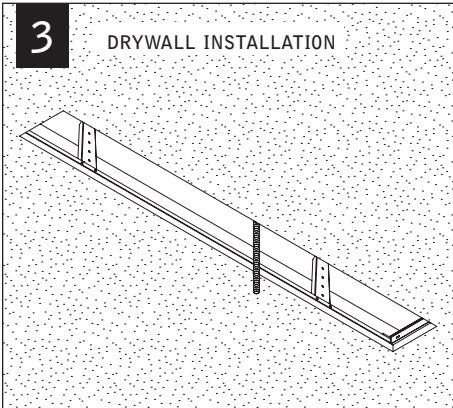
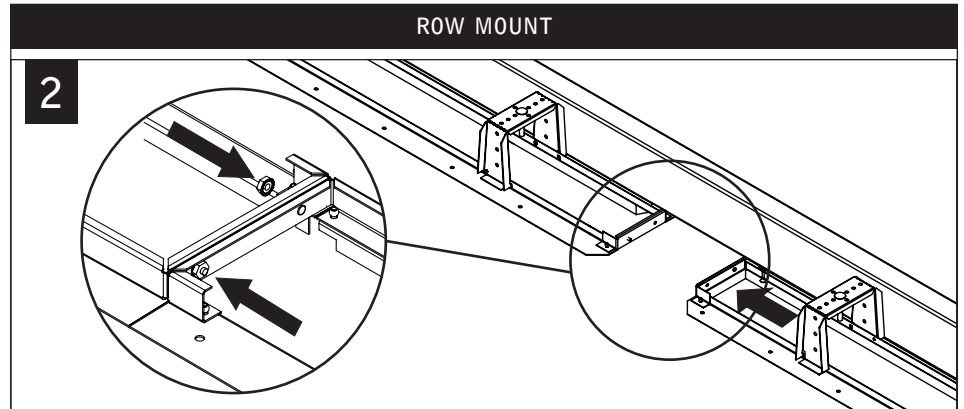
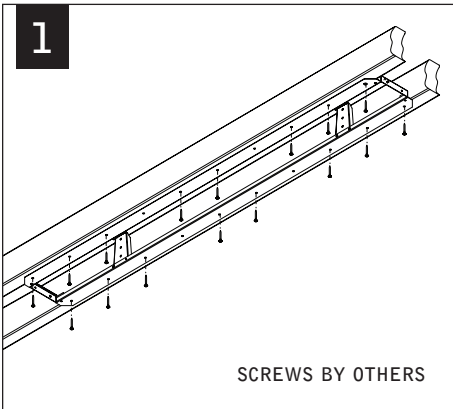
DRYWALL INSTALLATION



YOKE MUST BE INSTALLED PRIOR TO DRYWALL

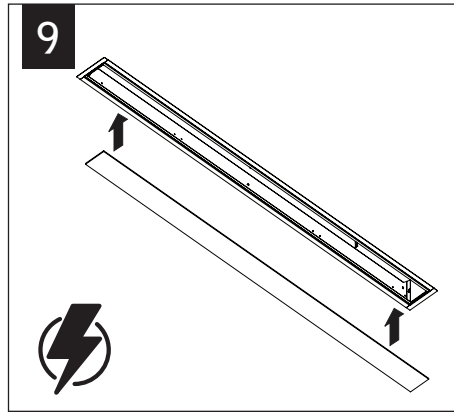
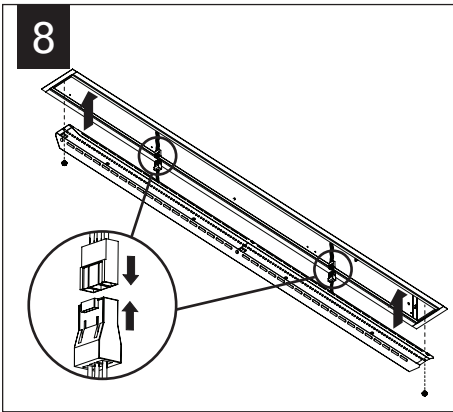


UNFOLD YOKES PRIOR TO INSTALLATION

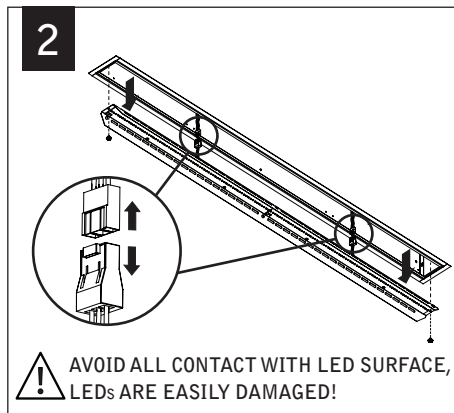
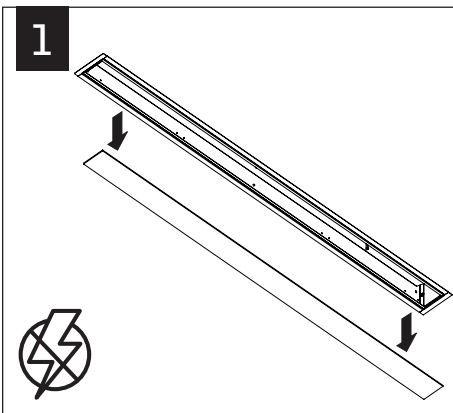


Luminaires must be installed by a qualified electrician (check with local and national codes for proper installation).
To prevent electrical shock, disconnect electrical supply before installation or servicing.

DRYWALL INSTALLATION (CONTINUED)



DRIVER SERVICE



EMERGENCY



SEE BATTERY MANUFACTURER
INSTRUCTIONS

EMERGENCY MAXIMUM MOUNTING HEIGHT:
20.00'